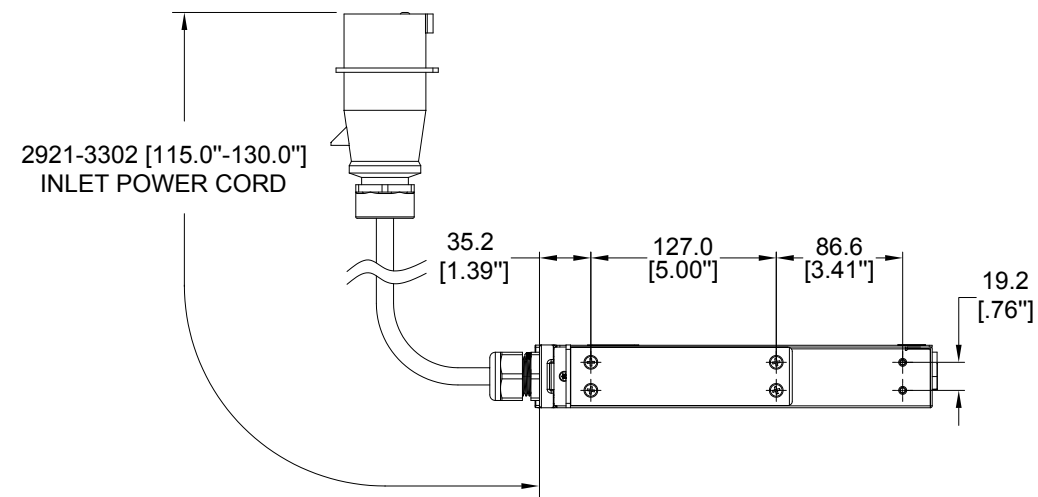
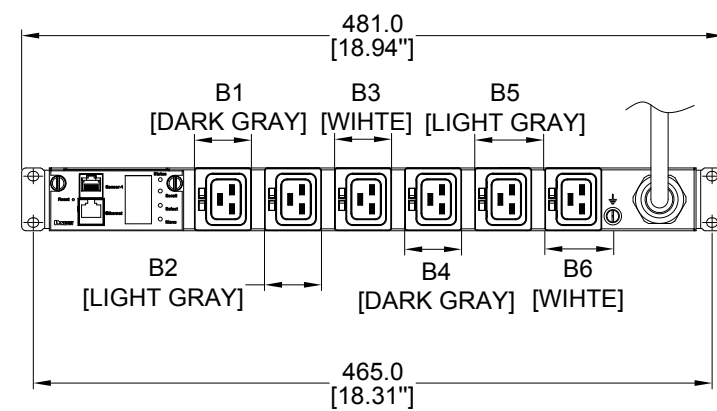
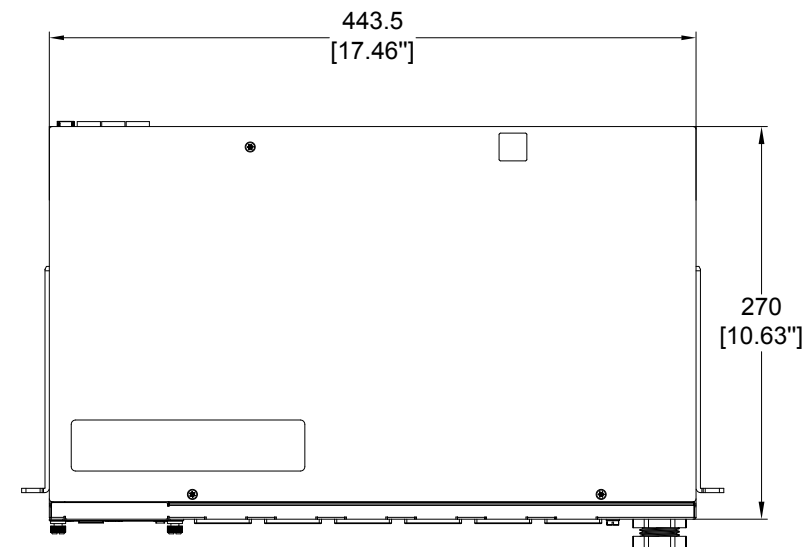
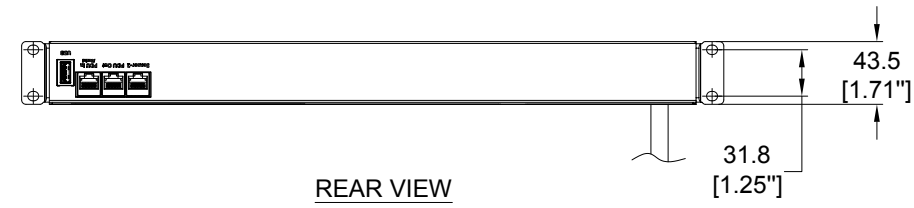


2

1

PANDUIT P/N	WEIGHT
P06D38M	7.4kg



NOTES:

1. IDENTIFICATION:

UNIT TYPE:	MONITORED INPUT
ORIENTATION:	HORIZONTAL, 1U
OUTLET QTY&TYPE:	(6) C19
BREAKER QTY&TYPE:	N/A
INPUT VOLTAGE:	200-240/346-415VAC, WYE
INPUT CURRENT:	16A
INPUT PHASE:	THREE-PHASE WYE
RATED POWER:	11.0kVA
INPUT PLUG:	IEC 60309 3P+N+E 6H 16A
INPUT CORD LENGTH:	3m [10']

2. ACCESSORIES:

- POCKET GUIDE
- QTY: (4) M6 X 12 PAN HEAD MACHINE SCREWS
- QTY: (4) M6 CAGED NUT

3. RoHS COMPLIANT

4. VISIT PANDUIT'S ON-LINE CATALOG AT WWW.PANDUIT.COM FOR ADDITIONAL PRODUCT INFORMATION CONTAINED IN THE SPECIFICATION SHEET AS WELL AS A CURRENT LIST OF PRODUCTS APPLICABLE FOR USE WITH THIS PART

5. MAXIMUM ALLOWABLE INPUT POWER = 11.0kW

6. INSTALLATION SHALL COMPLY WITH ALL APPLICABLE NATIONAL, STATE, AND LOCAL CODES

WE ASK THAT YOU CHECK FULLY THE DIMENSIONS, NOTES, AND SIGN THE CLIENT SIGNATURE BOX. THE JOB WILL NOT PROGRESS WITHOUT SIGNED APPROVAL. PLEASE DO NOT DELAY IN RETURNING PROOF AS IT WILL AFFECT DELIVERY

SIGN	
DATE	
PRINT	

TITLE INTELLIGENT SERIES PDU  
P06D38M  
CUSTOMER DRAWING

ITEM REVISION NAME:  
DATASHEET FILE NAME:



UNLESS OTHERWISE SPECIFIED DIMENSIONAL TOLERANCE ARE: mm [IN]

Tolerance(mm)	
0<L<50	±0.5
50<L<250	±1.0
250<L<500	±1.5
500<L<1000	±2.5
1000<L<2000	±4.0

THIRD ANGLE PROJECTION

MATERIAL/COLOR: N/A  
DRAWING NUMBER: P06D38M\_DA

01A	09/21/2017	GEORGE	MIM	EDM	INITIAL RELEASE	P06D38M
REV	DATE	BY	CHK	APR	DESCRIPTION	ECN

DRAWN BY: GEORGE  
DATE: 09/21/2017  
CHK: SEAN  
SCALE: NONE

SHT 1 OF 1  
SCALE: B

**PLUG**  
16 AMP, 230/400V x 3~ WYE  
4P/5W  
IEC 60309, SPLASHPROOF IP44  
2Q (S); 4R (W), 6H

**SIX (6) RECEPTACLES**  
16 AMP, 250V  
STRAIGHT BLADE  
IEC 60320/C19

2

1