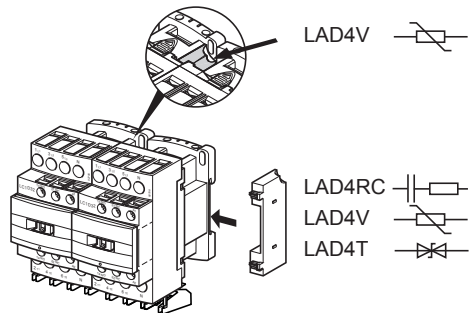
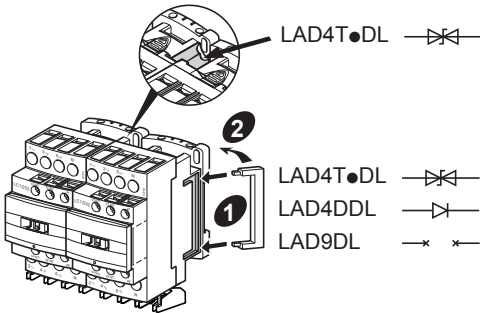
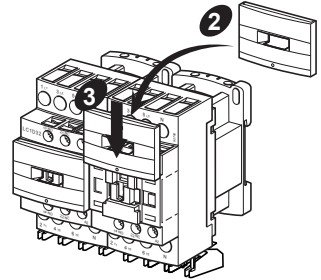
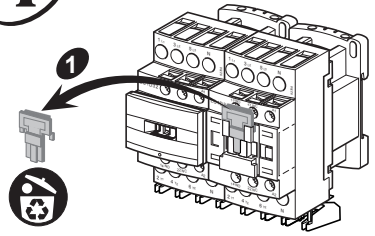
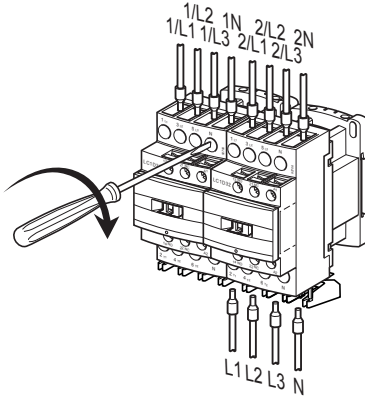


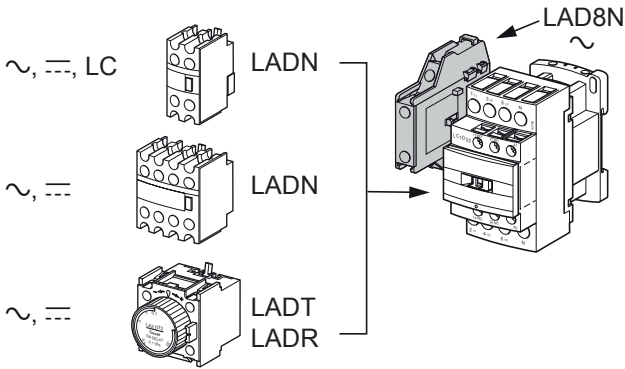
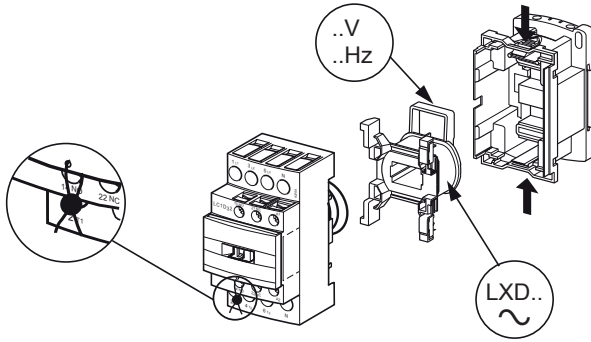


W913808720121



⚠ ⚠ DANGER

HAZARD OF ELECTRIC SHOCK, EXPLOSION, OR ARC FLASH
 Disconnect all power before servicing equipment.
 Failure to follow these instructions will result in death
 or serious injury.



"For Motor Starting Use Schneider Electric Overload Relay Series LR".

