



Product designation
Product type designation

Power contactor
BF65

Contact characteristics

Number of poles	Nr.	3
Rated insulation voltage U _i IEC/EN	V	1000
Rated impulse withstand voltage U _{imp}	kV	8
Operational frequency	min	Hz 25
	max	Hz 400
IEC Conventional free air thermal current I _{th}	A	100
Operational current I _e	AC-1 (≤40°C)	A 100
	AC-1 (≤55°C)	A 80
	AC-1 (≤70°C)	A 70
	AC-3 (≤440V ≤55°C)	A 65
	AC-4 (400V)	A 31
Rated operational power AC-3 (T≤55°C)	230V	kW 18.5
	400V	kW 30
	415V	kW 37
	440V	kW 37
	500V	kW 37
	690V	kW 45
	1000V	kW 30
Rated operational current AC-3 (T≤55°C)	230V	A 65
	400V	A 65
	415V	A 65
	440V	A 65
	500V	A 53
	690V	A 47
	1000V	A 25
Rated operational power AC-1 (T≤40°C)	230V	kW 38
	400V	kW 65
	500V	kW 82
	690V	kW 114
IEC max current I _e in DC1 with L/R ≤ 1ms with 1 poles in series	≤24V	A 50
	48V	A 50
	75V	A 50
	110V	A 8
	220V	A –
IEC max current I _e in DC1 with L/R ≤ 1ms with 2 poles in series	≤24V	A 70

	48V	A	70
	75V	A	70
	110V	A	60
	220V	A	9
<hr/>			
IEC max current I _e in DC1 with L/R ≤ 1ms with 3 poles in series	≤24V	A	70
	48V	A	70
	75V	A	70
	110V	A	60
	220V	A	90
<hr/>			
IEC max current I _e in DC1 with L/R ≤ 1ms with 4 poles in series	≤24V	A	70
	48V	A	70
	75V	A	70
	110V	A	70
	220V	A	110
<hr/>			
IEC max current I _e in DC3-DC5 with L/R ≤ 15ms with 1 poles in series	≤24V	A	35
	48V	A	25
	75V	A	25
	110V	A	3
	220V	A	–
<hr/>			
IEC max current I _e in DC3-DC5 with L/R ≤ 15ms with 2 poles in series	≤24V	A	45
	48V	A	40
	75V	A	40
	110V	A	30
	220V	A	5
<hr/>			
IEC max current I _e in DC3-DC5 with L/R ≤ 15ms with 3 poles in series	≤24V	A	55
	48V	A	50
	75V	A	50
	110V	A	35
	220V	A	52
<hr/>			
IEC max current I _e in DC3-DC5 with L/R ≤ 15ms with 4 poles in series	≤24V	A	60
	48V	A	60
	75V	A	60
	110V	A	50
	220V	A	65
<hr/>			
Short-time allowable current for 10s (IEC/EN60947-1)		A	640
<hr/>			
Protection fuse	gG (IEC)	A	125
	aM (IEC)	A	80
<hr/>			
Making capacity (RMS value)		A	650
<hr/>			
Breaking capacity at voltage	440V	A	520
	500V	A	425
	690V	A	376
<hr/>			
Resistance per pole (average value)		mΩ	0.8
<hr/>			
Power dissipation per pole (average value)	I _{th}	W	8
	AC-3	W	3.4
<hr/>			
Tightening torque for terminals			

	min	Nm	4
	max	Nm	5
	min	Ibin	2.95
	max	Ibin	3.69
<hr/>			
Tightening torque for coil terminal			
	min	Nm	0.8
	max	Nm	1
	min	Ibin	0.8
	max	Ibin	0.74
<hr/>			
Max number of wires simultaneously connectable			Nr. 2
<hr/>			
Conductor section			
AWG/Kcmil			
	max		2
<hr/>			
Flexible w/o lug conductor section			
	min	mm ²	1.5
	max	mm ²	35
<hr/>			
Flexible c/w lug conductor section			
	min	mm ²	1.5
	max	mm ²	35
<hr/>			
Power terminal protection according to IEC/EN 60529			IP20 front
<hr/>			
Mechanical features			
Operating position			
	normal allowable		Vertical plan ±30°
<hr/>			
Fixing			Screw / DIN rail 35mm
<hr/>			
Weight			g 1060
<hr/>			
Conductor section			
AWG/kcmil conductor section			
	max		2
<hr/>			
Operations			
Mechanical life			cycles 15000000
Electrical life			cycles 1400000
<hr/>			
Safety related data			
Performance level B10d according to EN/ISO 13489-1			
	rated load	cycles	1400000
	mechanical load	cycles	15000000
<hr/>			
Mirror contacts according to IEC/EN 60947-4-1			yes
EMC compatibility			yes
<hr/>			
AC coil operating			
Rated AC voltage at 50/60Hz, 60Hz			
	min	V	20
	max	V	48
<hr/>			
AC operating voltage			
of 50/60Hz coil powered at 50Hz			
	pick-up		
	min	%Us	85 Us min
	drop-out		
	max	%Us	≤70 Us min
<hr/>			
of 50/60Hz coil powered at 60Hz			
	pick-up		
	min	%Us	85 Us min
	max	%Us	110 Us max

		drop-out	max	%Us	≤70 Us min
AC average coil consumption at 20°C					
		of 50/60Hz coil powered at 50Hz	in-rush	VA	35...120
			holding	VA	1.5...3.7
of 50/60Hz coil powered at 60Hz					
			in-rush	VA	35...120
			holding	VA	1.5...3.7
Dissipation at holding ≤20°C 50Hz				W	1...2.5
DC coil operating					
DC rated control voltage					
			min	V	20
			max	V	48
DC operating voltage					
		pick-up	min	%Us	80 Us min
			max	%Us	110 Us max
drop-out					
			max	%Us	≤70 Us min
Average coil consumption ≤20°C					
			in-rush	W	23...68
			holding	W	1.2...1,9
Max cycles frequency					
Mechanical operation				cycles/h	1500
Operating times					
Average time for Us control					
		in AC			
		Closing NO	min	ms	12
			max	ms	28
		Opening NO	min	ms	8
			max	ms	22
in DC					
		Closing NO	min	ms	40
			max	ms	85
		Opening NO	min	ms	20
			max	ms	55
UL technical data					
Full-load current (FLA) for three-phase AC motor					
			at 480V	A	65
			at 600V	A	62
Yielded mechanical performance					
		for three-phase AC motor			
			200/208V	HP	20
			220/230V	HP	25
			460/480V	HP	50
			575/600V	HP	60
General USE					
		Contactor			
			AC current	A	100

Short-circuit protection fuse, 600V
High fault

Short circuit current	kA	100
Fuse rating	A	200
Fuse class		J

Standard fault

Short circuit current	kA	10
Fuse rating	A	200
Fuse class		RK5

Ambient conditions

Temperature

Operating temperature

min	°C	-40
max	°C	70

Storage temperature

min	°C	-50
max	°C	80

Max altitude

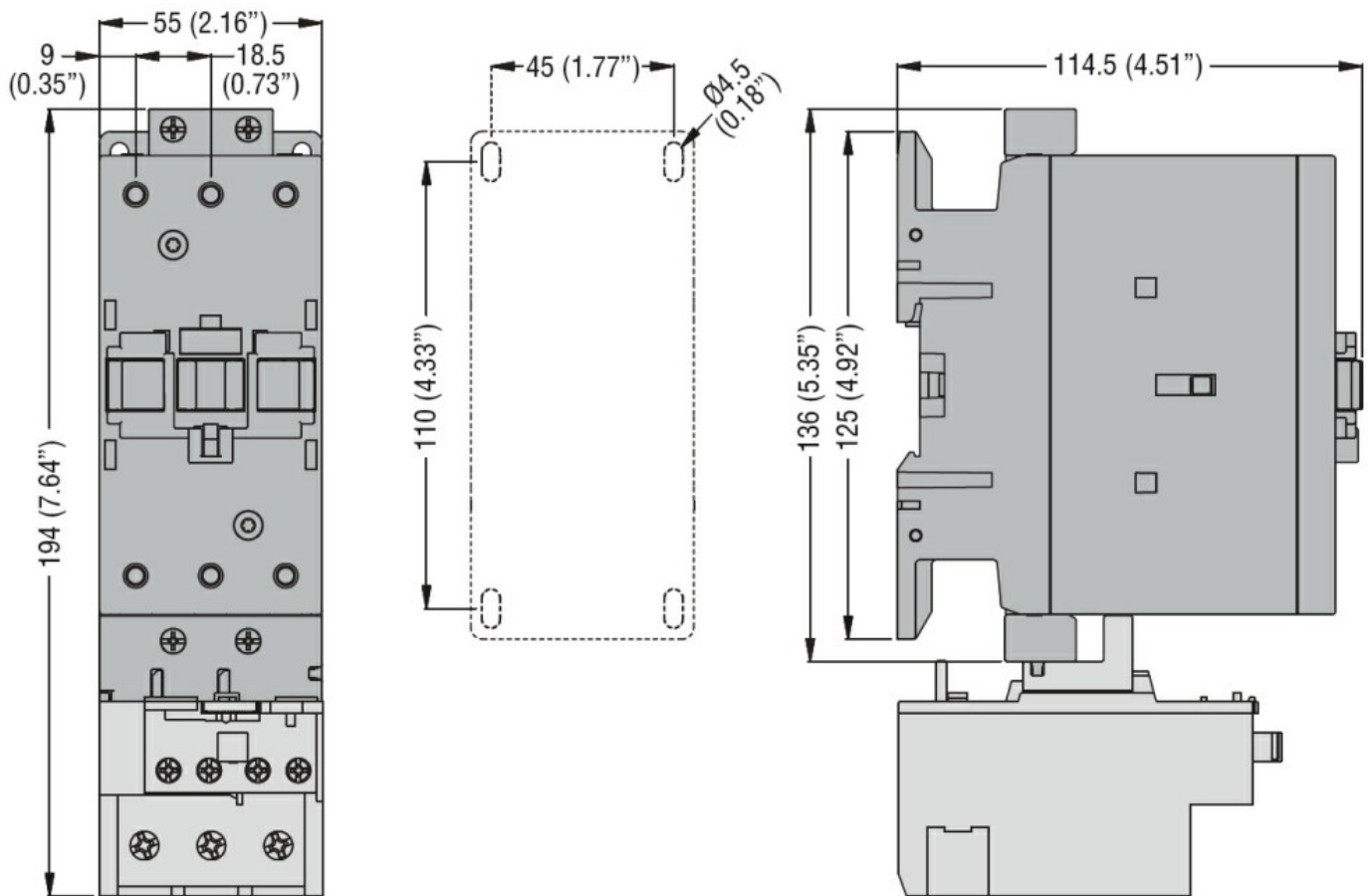
m	3000
---	------

Resistance & Protection

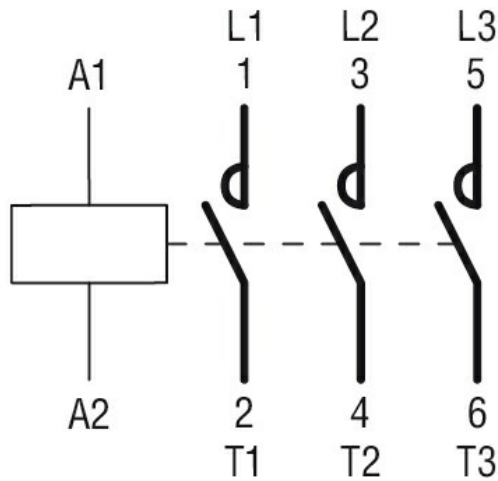
Pollution degree

3

Dimensions



Wiring diagrams



Certifications and compliance

Compliance

CSA C22.2 n° 60947-1

CSA C22.2 n° 60947-4-1

IEC/EN/BS 60947-1

IEC/EN/BS 60947-4-1

UL 60947-1

UL 60947-4-1

Certificates

CCC

cULus

ETIM classification

ETIM 8.0

EC000066 -
 Power contactor,
 AC switching