



Product designation
Product type designation

Power contactor
BF95

Contact characteristics

Number of poles	Nr.	3
Rated insulation voltage U _i IEC/EN	V	1000
Rated impulse withstand voltage U _{imp}	kV	8
Operational frequency	min	Hz 25
	max	Hz 400
IEC Conventional free air thermal current I _{th}	A	140
Operational current I _e	AC-1 (≤40°C)	A 140
	AC-1 (≤55°C)	A 115
	AC-1 (≤70°C)	A 100
	AC-3 (≤440V ≤55°C)	A 95
	AC-4 (400V)	A 45
Rated operational power AC-3 (T≤55°C)	230V	kW 30
	400V	kW 55
	415V	kW 55
	440V	kW 55
	500V	kW 75
	690V	kW 90
	1000V	kW 45
Rated operational current AC-3 (T≤55°C)	230V	A 95
	400V	A 95
	415V	A 95
	440V	A 95
	500V	A 95
	690V	A 93
	1000V	A 33
IEC max current I _e in DC1 with L/R ≤ 1ms with 1 poles in series	≤24V	A 140
	48V	A 140
	75V	A 100
	110V	A 10
	220V	A –
IEC max current I _e in DC1 with L/R ≤ 1ms with 2 poles in series	≤24V	A 140
	48V	A 140
	75V	A 140
	110V	A 110
	220V	A 12
IEC max current I _e in DC1 with L/R ≤ 1ms with 3 poles in series		

	≤24V	A	140
	48V	A	140
	75V	A	155
	110V	A	120
	220V	A	125
<hr/>			
IEC max current I _e in DC1 with L/R ≤ 1ms with 4 poles in series	≤24V	A	140
	48V	A	140
	75V	A	155
	110V	A	140
	220V	A	140
<hr/>			
IEC max current I _e in DC3-DC5 with L/R ≤ 15ms with 1 poles in series	≤24V	A	140
	48V	A	44
	75V	A	36
	110V	A	6
	220V	A	–
<hr/>			
IEC max current I _e in DC3-DC5 with L/R ≤ 15ms with 2 poles in series	≤24V	A	140
	48V	A	63
	75V	A	60
	110V	A	55
	220V	A	7
<hr/>			
IEC max current I _e in DC3-DC5 with L/R ≤ 15ms with 3 poles in series	≤24V	A	140
	48V	A	115
	75V	A	90
	110V	A	85
	220V	A	76
<hr/>			
IEC max current I _e in DC3-DC5 with L/R ≤ 15ms with 4 poles in series	≤24V	A	140
	48V	A	110
	75V	A	110
	110V	A	105
	220V	A	95
<hr/>			
Short-time allowable current for 10s (IEC/EN60947-1)		A	760
<hr/>			
Protection fuse	gG (IEC)	A	160
	aM (IEC)	A	100
<hr/>			
Making capacity (RMS value)		A	1200
<hr/>			
Breaking capacity at voltage	440V	A	1100
	500V	A	775
	690V	A	745
<hr/>			
Resistance per pole (average value)		mΩ	0.45
<hr/>			
Power dissipation per pole (average value)	I _{th}	W	8.8
	AC-3	W	4.1
<hr/>			
Tightening torque for terminals	min	Nm	6
	max	Nm	7
	min	I _{bin}	4.4
	max	I _{bin}	5.2

Tightening torque for coil terminal

min	Nm	0.8
max	Nm	1
min	Ibin	0.59
max	Ibin	0.74

Conductor section

AWG/Kcmil

max		2/0
-----	--	-----

Flexible w/o lug conductor section

min	mm ²	1.5
max	mm ²	70

Flexible c/w lug conductor section

min	mm ²	1.5
max	mm ²	70

Power terminal protection according to IEC/EN 60529

IP20 front

Mechanical features

Operating position

normal allowable	Vertical plan ±30°
---------------------	-----------------------

Fixing

Screw / DIN rail
35mm

Weight

g 2020

Conductor section

AWG/kcmil conductor section

max		2/0
-----	--	-----

Auxiliary contact characteristics

Thermal current I_{th}

A 140

Operations

Mechanical life

cycles 15000000

Electrical life

cycles 1400000

AC coil operating

Rated AC voltage at 60Hz

V 460

AC operating voltage

of 60Hz coil powered at 60Hz
pick-up

min	%Us	80
max	%Us	110

drop-out

min	%Us	20
max	%Us	55

AC average coil consumption at 20°C

of 60Hz coil powered at 60Hz

in-rush	VA	300
holding	VA	20

Dissipation at holding ≤20°C 50Hz

W 6.5

Max cycles frequency

Mechanical operation

cycles/h 1500

Operating times

Average time for U_s control

in AC

Closing NO

min	ms	16
max	ms	32

Opening NO

min	ms	9
max	ms	24

UL technical data

Yielded mechanical performance

for three-phase AC motor

200/208V	HP	30
220/230V	HP	30
460/480V	HP	60
575/600V	HP	75

General USE

Contactor

AC current	A	150
------------	---	-----

Short-circuit protection fuse, 600V

High fault

Short circuit current	kA	100
Fuse rating	A	200
Fuse class		J

Standard fault

Short circuit current	kA	10
Fuse rating	A	250
Fuse class		RK5

Ambient conditions

Temperature

Operating temperature

min	°C	-50
max	°C	70

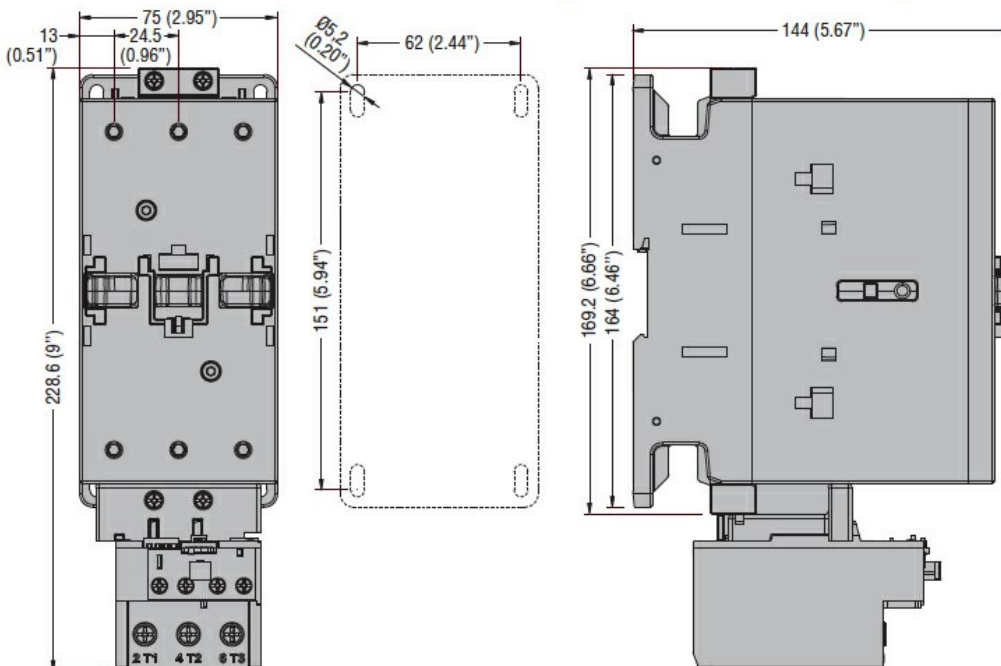
Storage temperature

min	°C	-60
max	°C	+80

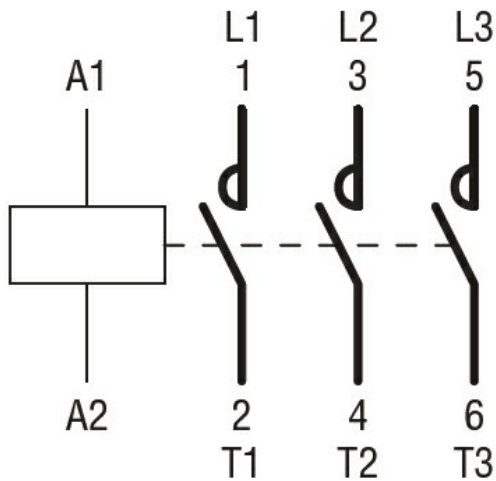
Max altitude

m	3000
---	------

Dimensions



Wiring diagrams



Certifications and compliance

Compliance

CSA C22.2 n° 60947-1

CSA C22.2 n° 60947-4-1

IEC/EN/BS 60947-1

IEC/EN/BS 60947-4-1

UL 60947-1

UL 60947-4-1

Certificates

CCC

cULus

ETIM classification

ETIM 8.0

EC000066 -
Power contactor,
AC switching