

Product designation				Rotary cam switches
Product type designation				GX40
General characteristics				
Switching diagram				12 - Star-delta motor starter switch
N° of elements				4
Mounting form				U - Front mounting with black handle
Contact characteristics				
Rated insulation voltage U_i	IEC/EN	V	690	
	UL/CSA	V	600	
Rated impulse withstand voltage U_{imp}			kV	6
Conventional free air thermal current I_{th}	IEC/EN	A	40	
	UL/CSA	A	40	
Rated operational voltage			V	440
Rated operational impulse voltage			kV	4
Maximum fuse size for short-circuit protection I_n (gG)	10kA	A	40	
	15kA	A	35	
	25kA	A	35	
Rated short time current I_{cw}			1s	A
				1000
Conductivity				10/5 mA/V
Operational current I_e IEC/EN	AC1/AC21A		A	40
	AC15			
	110V	A	25	
	220/230V	A	22	
	380/400V	A	12	
	660/690V	A	2	
Rated operational power in AC	Three-phase AC-3			
	220/230V	kW	7.5	
	380/440V	kW	15	
	500/690V	kW	15	
	Single-phase AC-3			
	110V	kW	2.2	
	220/230V	kW	4.4	
	380/440V	kW	7	
	Three-phase AC23A			
	220/230V	kW	9	
	380/440V	kW	18.5	
	500/690V	kW	15	
Single-phase AC23A				
110V	kW	3		
220/230V	kW	5.2		
380/440V	kW	7.5		

Rated operational current in DC

DC21A

48V	A	40
60V	A	40
110V	A	6
220V	A	0.8
440V	A	0.25

DC23A (poles in series)

24V	A	40 (1)
48V	A	40 (1)
60V	A	40 (3)
110V	A	40 (3)
220V	A	12 (4)

DC13

24V	A	40
48V	A	32
60V	A	16
110V	A	3
220V	A	0.5
440V	A	0.15

Power dissipation

W 1.6

Mechanical features

Terminals screw

M4

Tightening torque for terminals max

Nm 1.2

Conductor size

AWG - Rigid cable

min	AWG	16
Max	AWG	8

AWG - Flexible cable

min	AWG	16
Max	AWG	10

Conductor size (IEC) - Flexible cable

min	mm ²	1.5
Max	mm ²	6

Conductor size (IEC) - Rigid cable

min	mm ²	1.5
Max	mm ²	10

Mechanical life

cycles 1X10⁶

UL technical data

Motor power for direct-on-line control

for three-phase motor

120V	HP	5
240V	HP	10
480V	HP	15
600V	HP	15

for single-phase motor

120V	HP	2
240V	HP	5

Ambient conditions

Temperature

Operating temperature

min	°C	-25
max	°C	+55

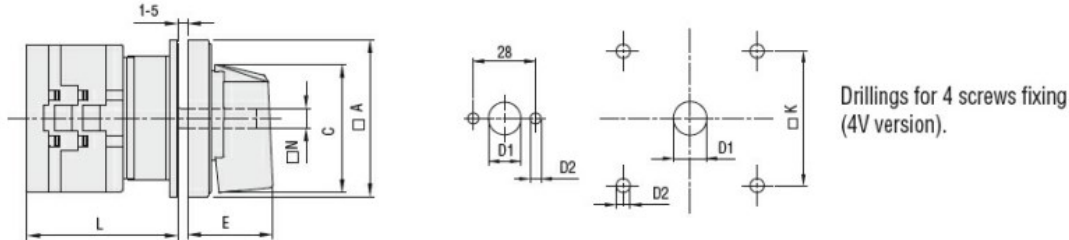
Storage temperature

min °C -40
max °C +70

Resistance & Protection

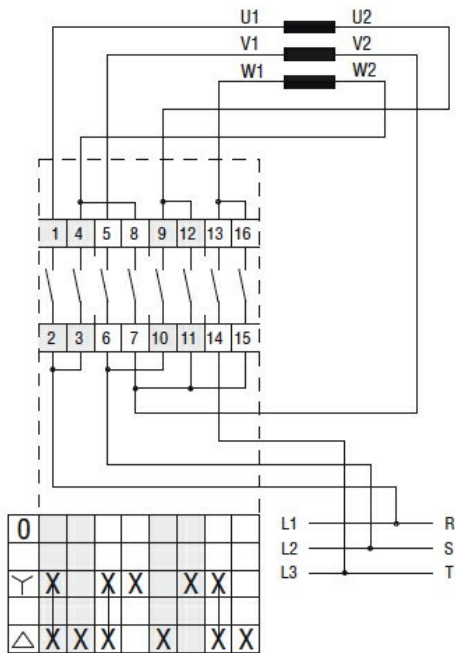
Frontal IP degree	IP65
Terminals IP degree	IP20

Dimensions



Series	Dimensions							L Number of elements											
	□A	C	∅D1	∅D2	E	□K	□N	1	2	3	4	5	6	7	8	9	10	11	12
GX16	48	39.5	12	5	26.5	36	6	43	51.5	60	68.5	77	85.5	94	102.5	111	119.5	128	136.5
GX20	48	39.5	12	5	26.5	36	6	43	51.5	60	68.5	77	85.5	94	102.5	111	119.5	128	136.5
GX32	65	53	14	5	34.5	48	7	51	63	75	85	99	111	123	135	147	159	171	183
GX40	65	53	14	5	34.5	48	7	51	63	75	85	99	111	123	135	147	159	171	183

Wiring diagrams



Certifications and compliance

Compliance

- CSA C22.2 n° 14
- IEC/EN/BS 60947-1
- IEC/EN/BS 60947-3
- IEC/EN/BS 60947-5-1
- IEC/EN/BS 61058-1
- UL60947-4-1

Certificates

cULus

EAC

ETIM classification

ETIM 8.0

EC001105 - Off-
load switch