



Product designation				Switch disconnecter
Product type designation				GL
Number of poles		Nr.		3
Operating voltage type				AC
Contact characteristics				
IEC Conventional free air thermal current I _{th}		A		200
Rated insulation voltage U _i IEC/EN		V		1000
Rated impulse withstand voltage U _{imp}		kV		12
Operating current I _e				
AC21A				
	400V	A		200
	500V	A		200
	690V	A		200
AC22A				
	400V	A		200
	500V	A		200
	690V	A		200
AC23A				
	400V	A		200
	500V	A		200
	690V	A		200
Power dissipation per pole max		W		4
Rated operational power AC23A				
	400V	kW		110
	690V	kW		200
Reactive power for control of capacitors at				
	400V	kvar		100
Rated short time current (1s) I _{cw} (rms)		kA		6
Rated short time current (0.3s) I _{cw} (rms)		kA		12
Conditional short-circuit current (rms)		kA		100
Short-circuit protection with fuse		Class/A		gG/200
Making capacity AC23A 400V		A		2000
Breaking capacity AC23A 400V		A		1600
Mechanical life		cycles		20000
Mechanical features				
Operating position		normal allowable		Vertical plan Any
Fixing				Screw / DIN rail 35mm
Terminals		type		M8 x 25
Tightening torque for terminals		min Nm		15

max	Nm	22
min	lbin	132
max	lbin	194

Conductor section

IEC min	mm ²	70
IEC max	mm ²	185
AWG/kcmil min		00
AWG/kcmil max		400

Ambient conditions

Operating temperature

min	°C	-25
max	°C	+55

Storage temperature

min	°C	-40
max	°C	+70

Max altitude

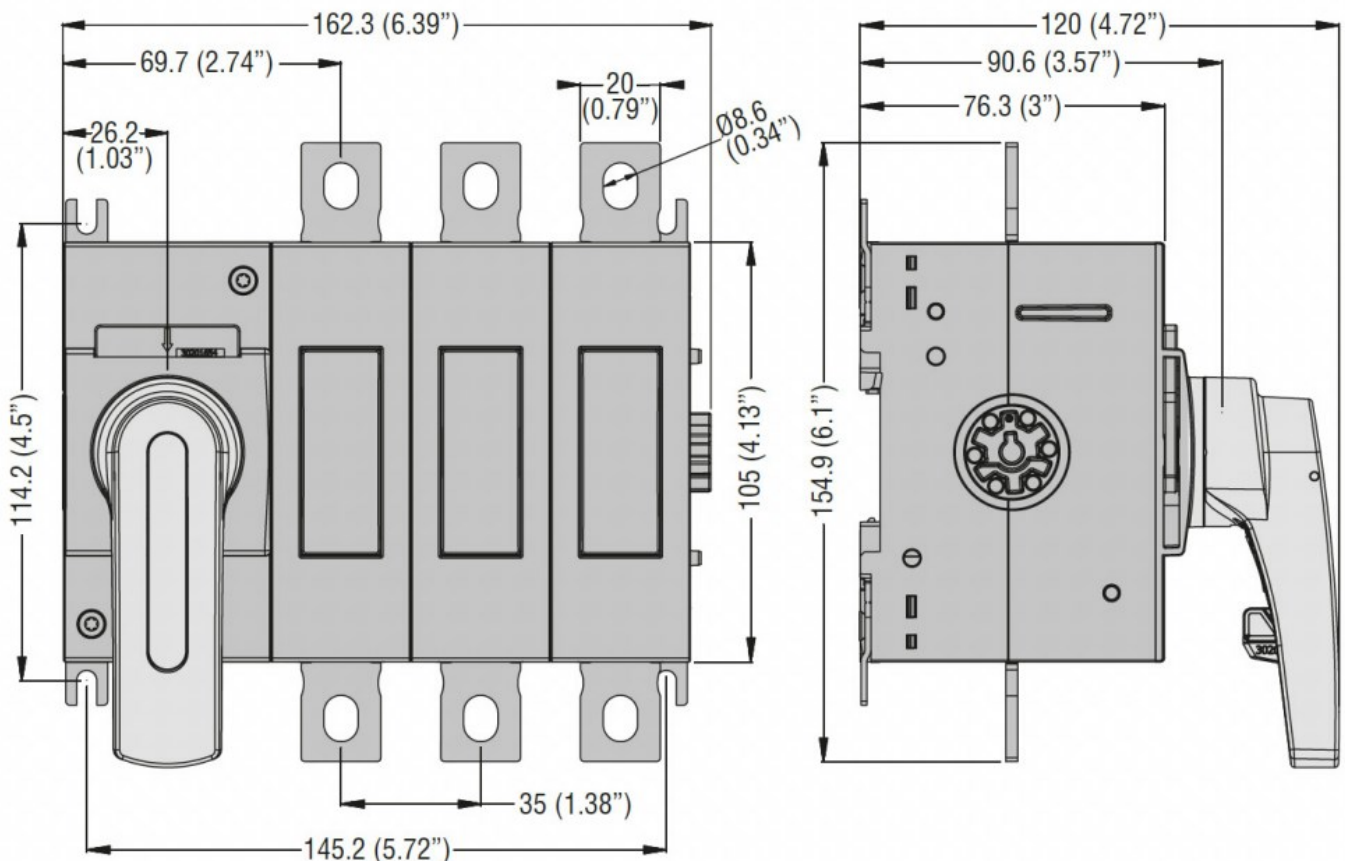
m 3000

Resistance & Protection

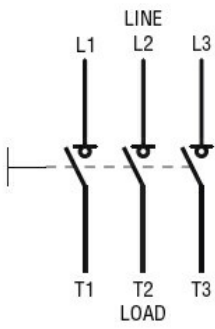
Pollution degree

3

Dimensions



Wiring diagrams



Certifications and compliance

Compliance

IEC/EN 60947-1

IEC/EN 60947-3

ETIM classification

ETIM 8.0

EC000216 -
Switch
disconnecter