

# SEETRONIC

## Product Data Sheet

**Product Type** IP65 Waterproof Power Socket

**Product Model** SAC3FPX20

**Customer Name** \_\_\_\_\_

<b>Manufacturer</b>	<b>Prepared</b>	<b>Checked</b>	<b>Approved</b>

<b>Customer</b>	<b>Received</b>	<b>Checked</b>	<b>Confirmed</b>



## Product Data Sheet

<b>Product Type</b>	<b>IP65 Waterproof Power Socket</b>	
<b>Product Model</b>	<b>SAC3FPX20</b>	

### Product Features

- Upgraded compact D-size female power-out socket
- Durable and ruggedly sealed power connector used for electrical connection under outdoor conditions with protection grade IP65
- It can achieve the same opening size of the input and output panels which is in line with the development trend of equipment miniaturization and light weight
- Match with SAC3MX plug
- Waterproof grade IP65 and protection class IP67 for terminal equipment
- It can achieve the effects of waterproof and airproof at the same time
- The rubber cover with model number CNAC-FPX20 is not included



## Product Data Sheet

### Electrical Parameters

Item	Specification
Number of Contacts	2 + PE
Rated Current	16A VDE(20A UL)
Rated Voltage	250V AC VDE(300V AC UL)
Contact Resistance	$\leq 5 \text{ m}\Omega$
Dielectric Strength	4000V DC(1600V/min AC UL)
Insulation Resistance	$> 1000 \text{ M}\Omega$

### Mechanical Parameters

Item	Specification
Service Life	$> 1000$ mating cycles
Cable Size	$2.5 \text{ mm}^2$ (12 AWG)



## Product Data Sheet

### Material and Environmental Parameters

Item	Specification
Housing	PA
Contacts	Cu alloy
Contact plating	Au
Flame-retardant grade	UL 94-V0
Temperature range	-30°C ~ +80°C
Protection degree	Waterproof grade IP65 and protection class IP67 for terminal equipment

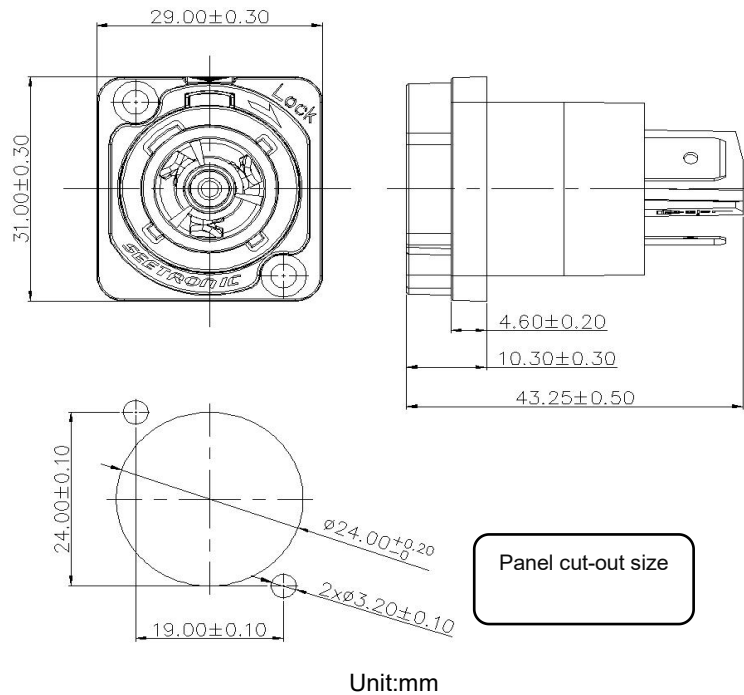
### Standards and Certifications

Standards	UL498   UL50E   IEC61984   GB/T 34989
Certifications	UL: E356932 VDE: 40044166 CQC:CQC23003410681



## Product Data Sheet

### Product Drawing



### Packaging Method

Blister box packaging (only include the socket body, waterproof rubber is not included and need to be purchased separately)

15 pcs per blister box, 60 pcs per inner carton, 5 inner carton per master carton (300 pcs per master carton)

### Accessory

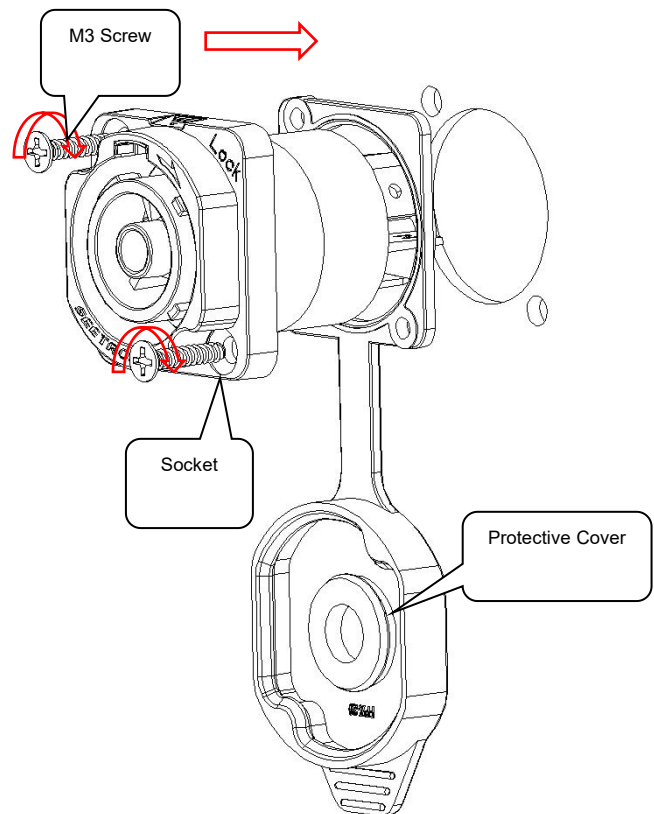
- |  |  |
|--|--|
| <input checked="" type="checkbox"/> No accessories | <input type="checkbox"/> Back fastener plate |
| <input type="checkbox"/> Screws and Nuts           | <input type="checkbox"/> Other               |



## Product Data Sheet

### Assembly Instructions

Put the protective cover on the rear side of the socket and then install on the front of the panel. Finally, tighten the screws with 0.5 Nm torque in clockwise direction.



### Type of Terminals

