

Part number

# MZVW 25 L20



Hood, W-TYPE series, with 2 pegs, M20 top cable entry, size "66.16"

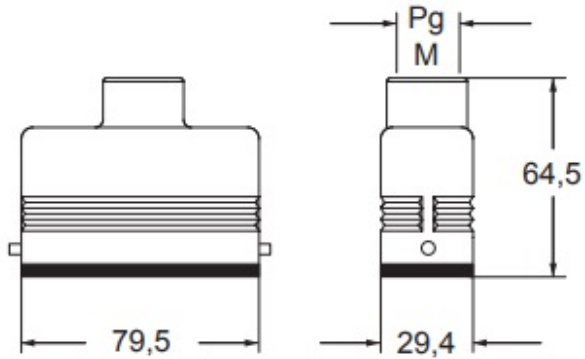
Product description		Material properties	
<b>Product type</b>	Hood	<b>Other materials</b>	Gasket: FKM
<b>Series</b>	W-TYPE	<b>Colour</b>	RAL 9005 black
<b>Closing type</b>	With 2 pegs	<b>RoHs conformity</b>	Compliant
<b>Size</b>	Size 66.16	<b>China RoHs - EFUP</b>	E
<b>Cable entry</b>	Top cable entry M20	<b>REACH SVHC substances</b>	No
Technical data		Approvals / Standards	
<b>IP degree of protection</b>	IP65 / IP66 / IP69	<b>Certifications</b>	DNV, BV
Further technical details		<b>UL</b>	ECBT2
<b>Operating temperature range (min, max)</b>	-40°C...+125°C	<b>cUL</b>	ECBT8
		General ordering information	
		<b>EAN13 code</b>	8015747142496
		<b>eCl@ss 8.1</b>	27440202
		<b>ETIM 7.0</b>	EC000437
		Packaging Information	
		<b>Sub-packaging description</b>	Plastic packaging
		<b>Sub-packaging quantity</b>	5 Pcs
		<b>Sub-packaging EAN barcode</b>	8015747249546

Part number

# MZVW 25 L20



## Catalogue drawings



---

## Notes

\*\* can only be used with a complete cable clamp (to be purchased separately)

---

Dimensions shown in mm are not binding and may be changed without notice.

---