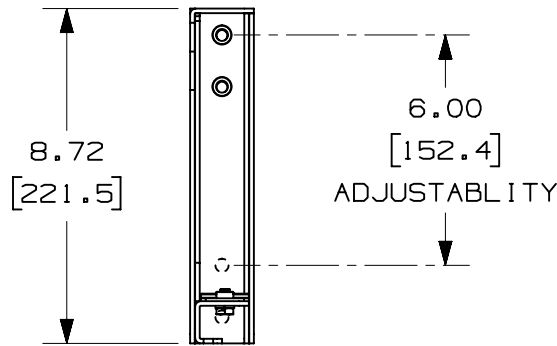
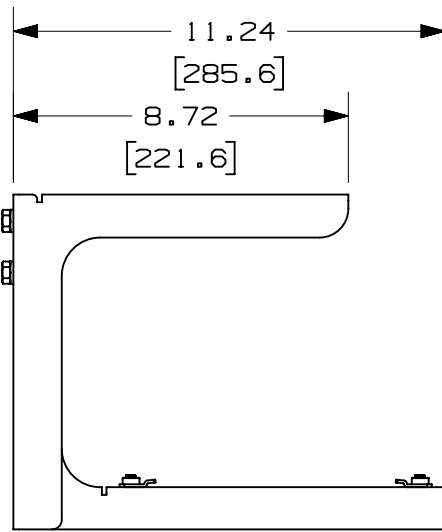
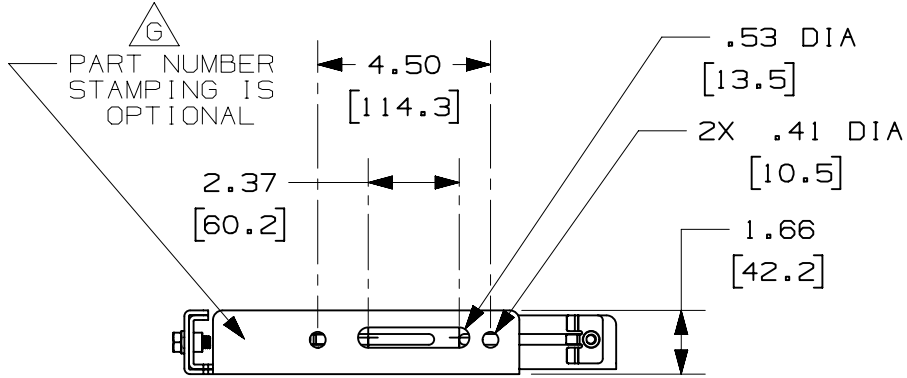
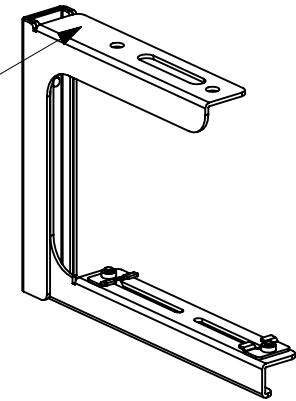


THIS COPY IS PROVIDED ON A RESTRICTED BASIS AND IS NOT TO BE USED IN ANY WAY DETRIMENTAL TO THE INTERESTS OF PANDUIT CORP.



PART NUMBER STAMPING IS OPTIONAL



PANDUIT PART NUMBER	WEIGHT
FR6ACB12	3.38 LB/EACH
FR6ACB12M	(1531g/EACH)

NOTES:

1. SEE CURRENT CATALOG FOR ADDITIONAL PART SUFFIXES TO INDICATE PACKAGE QUANTITY.
2. THE FIBERRUNNER 4x4 AND 6x4 QUIKLOCK ADJUSTABLE "C" BRACKET IS USED TO SUPPORT THE FIBERRUNNER 4x4 AND 6x4 CABLE ROUTING SYSTEMS FROM A SECTION OF NEW 1/2" (M12) THREADED ROD (NOT INCLUDED) OR CAN BE DIRECTLY MOUNTED TO THE CEILING.
3. THE FIBERRUNNER 4x4 AND 6x4 QUIKLOCK ADJUSTABLE "C" BRACKET INCLUDES:
ONE (1) BRACKET ASSEMBLY,
TWO (2) 1/2-13 HEAVY HEX NUTS (FR6ACB12 ONLY),
TWO (2) M12x1.75 HEX NUTS (FR6ACB12M ONLY),
TWO (2) 1/2 HELICAL SPRING LOCKWASHERS
4. FINISH COLOR: BLACK (EXCEPT HARDWARE)
5. DIMENSIONS IN PARENTHESES ARE IN METRIC.

					<p>TITLE</p> <p>FIBERRUNNER 4x4 AND 6x4 QUIKLOCK ADJUSTABLE "C" BRACKET - 1/2" (M12) THREADED ROD (FR6ACB12, FR6ACB12M)</p> <p>CUSTOMER DRAWING</p>																
					<p>ITEM REVISION NAME</p> <p>D38022BX/02</p>																
					<p>DATASET FILE NAME</p> <p>D38022BX_DC_FR6ACB12/01</p>																
					<p>UNLESS OTHERWISE SPECIFIED, DIMENSIONAL TOLERANCES ARE:</p> <table border="1"> <tr> <td>INCHES</td> <td>METRIC - MILLIMETER</td> <td>ANGLE</td> </tr> <tr> <td>X.X +/-</td> <td>X +/-</td> <td>+/-</td> </tr> <tr> <td>X.XX +/-</td> <td>X.X +/-</td> <td>0.8 +/-</td> </tr> <tr> <td>X.XXX +/-</td> <td>X.XX +/-</td> <td></td> </tr> </table>					INCHES	METRIC - MILLIMETER	ANGLE	X.X +/-	X +/-	+/-	X.XX +/-	X.X +/-	0.8 +/-	X.XXX +/-	X.XX +/-	
INCHES	METRIC - MILLIMETER	ANGLE																			
X.X +/-	X +/-	+/-																			
X.XX +/-	X.X +/-	0.8 +/-																			
X.XXX +/-	X.XX +/-																				
					<p>MATERIAL:</p> <p>STEEL</p>																
					<p>DRAWING NUMBER:</p> <p>38022-29</p>																
					<p>THIRD ANGLE PROJECTION</p>																
REV		DATE		BY		CHK		SCALE		SHT 1 OF 1		SIZE									
01B		4/23/19		MES		DWR		NONE		SHT 1 OF 1		A									

					<p>V09001YD</p>						
					<p>G. NOTE P/N STAMPING OPTIONAL</p> <p>F. UPDATED TITLE BLOCK TO LATEST REVISION, REMOVED PRIOR REVISIONS</p>						
DESCRIPTION		BY		DATE		REV		ECN			
		DWR		4/23/19		01B		V09001YD			

D10.100DA/20