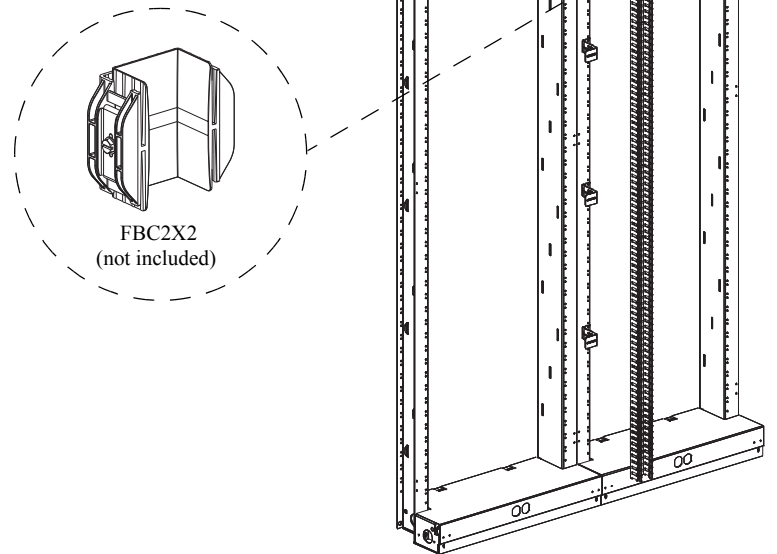
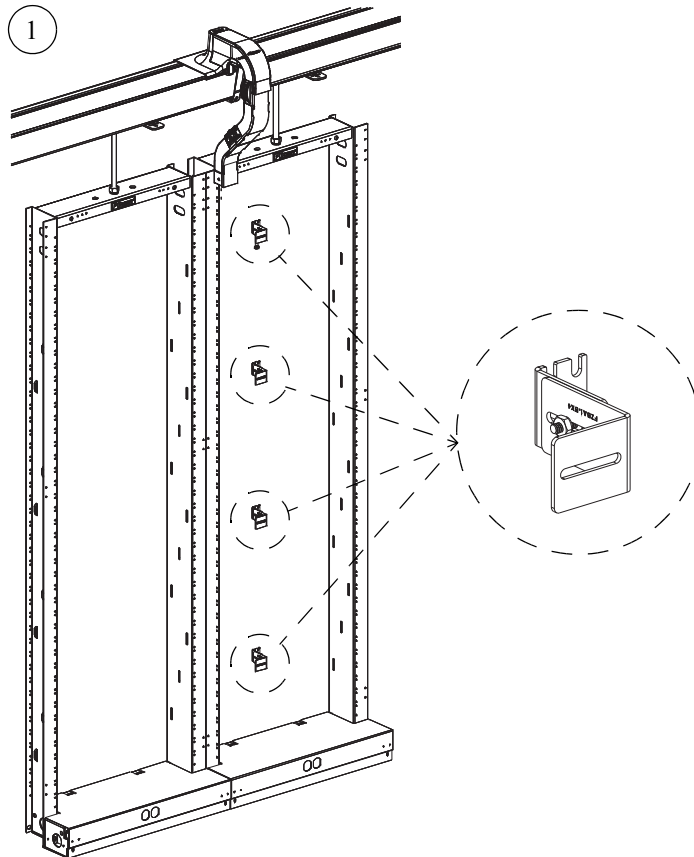
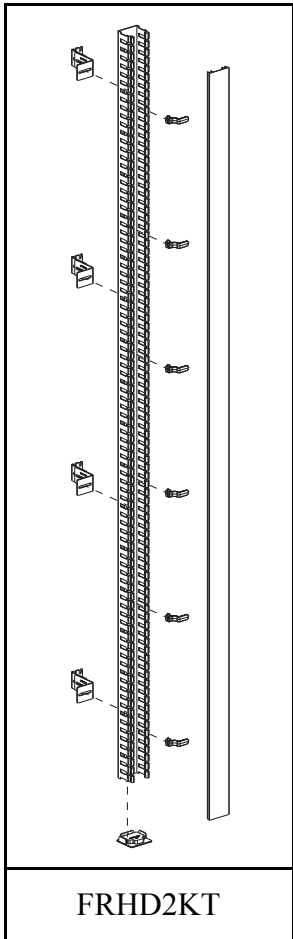
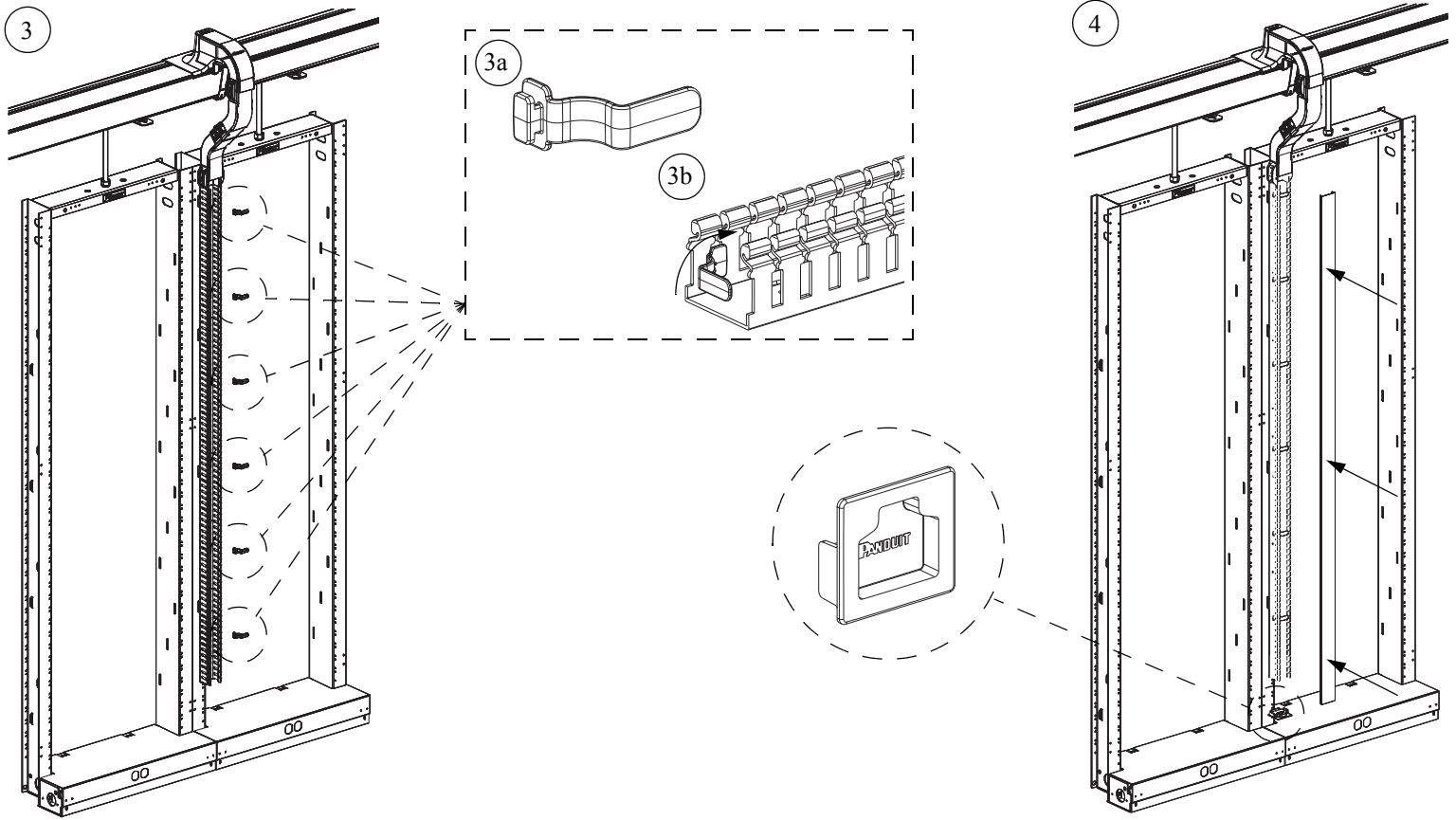
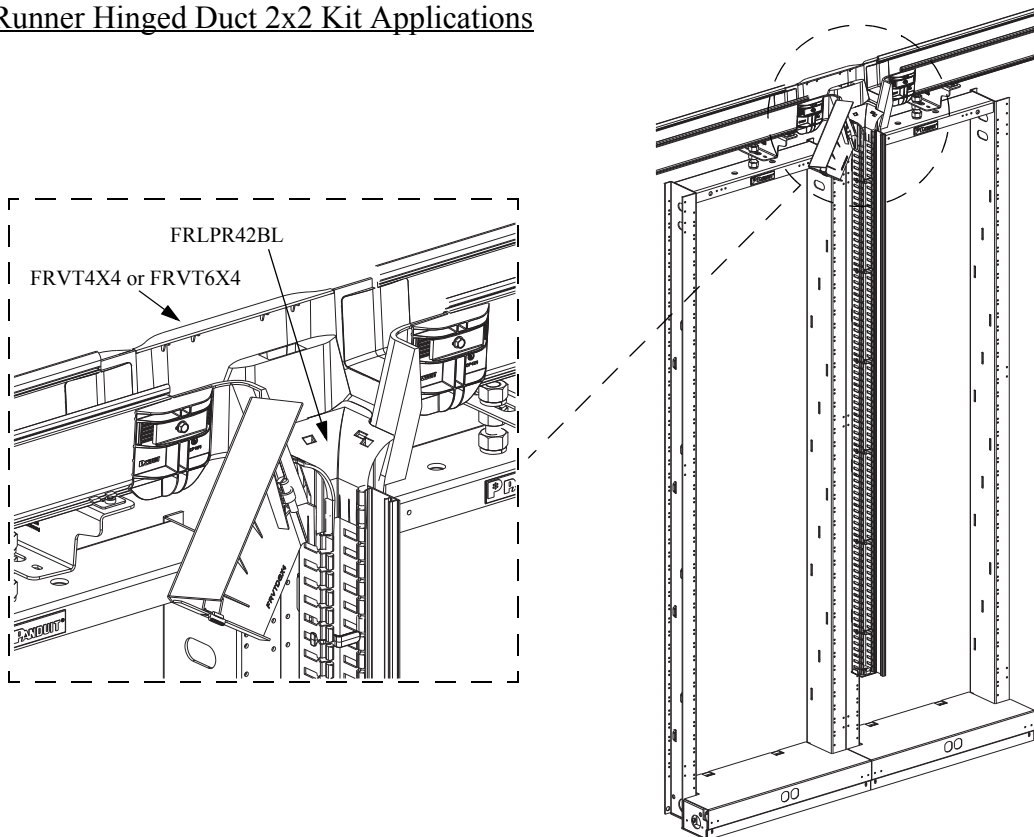


#### Typical Installation





Additional FiberRunner Hinged Duct 2x2 Kit Applications



<p>For Instructions in Local Languages and Technical Support: <a href="http://www.panduit.com/resources/install_maintain.asp">www.panduit.com/resources/install_maintain.asp</a></p>	<p><b>PANDUIT</b> <a href="http://www.panduit.com">www.panduit.com</a></p>	<p>E-mail: <a href="mailto:techsupport@panduit.com">techsupport@panduit.com</a> Phone: 866-405-6654</p>
--	--	---