

Part number

M7AP 06 LS32



Surface mounting housing, V-TYPE series, with 1 lever, M32 cable entry, size "44.27", high construction, with metal cover

Product description	
Product type	Surface mounting housing
Series	V-TYPE
Closing type	With 1 lever
Size	Size 44.27
Cable entry	With cable entry M32
Specification	High construction, with metal cover
Technical data	
IP degree of protection	IP66 / IP67 / IP69
Further technical details	
Weight	1,00 g
Operating temperature range (min, max)	-40°C...+125°C

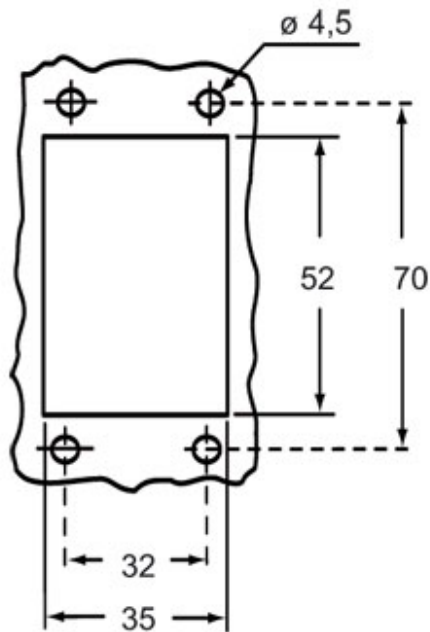
Material properties	
Other materials	Lever: Stainless steel Gasket: NBR
Colour	RAL 7040 grey
RoHs conformity	Compliant
China RoHs - EFUP	E
REACH SVHC substances	No
Approvals / Standards	
Certifications	DNV, BV
UL	ECBT2
cUL	ECBT8
General ordering information	
EAN13 code	8015747240086
eCl@ss 8.1	27440202
ETIM 7.0	EC000437
Packaging Information	
Packaging length	370,00 mm
Packaging height	140,00 mm
Packaging width	210,00 mm
Packaging volume	10,88 dm ³
Packaging description	Carton box
Packaging quantity	10 Pcs
Packaging EAN code	8015747281218
Sub-packaging description	Plastic packaging
Sub-packaging quantity	5 Pcs
Sub-packaging EAN barcode	8015747281225

Part number

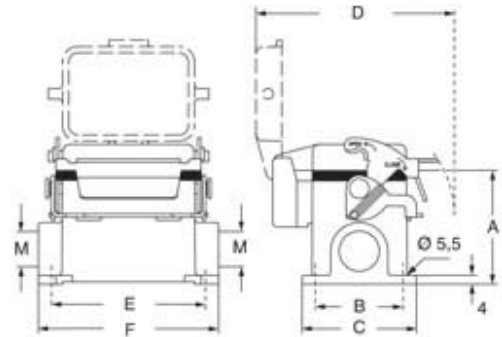
M7AP 06 LS32



Catalogue drawings



Catalogue drawings



type	A	B	C	D	E	F
M7P 06 LS	53	40	52	91	70	82
M7AP 06 LS	73	45	57	91	70	82

Notes

Dimensions shown in mm are not binding and may be changed without notice.