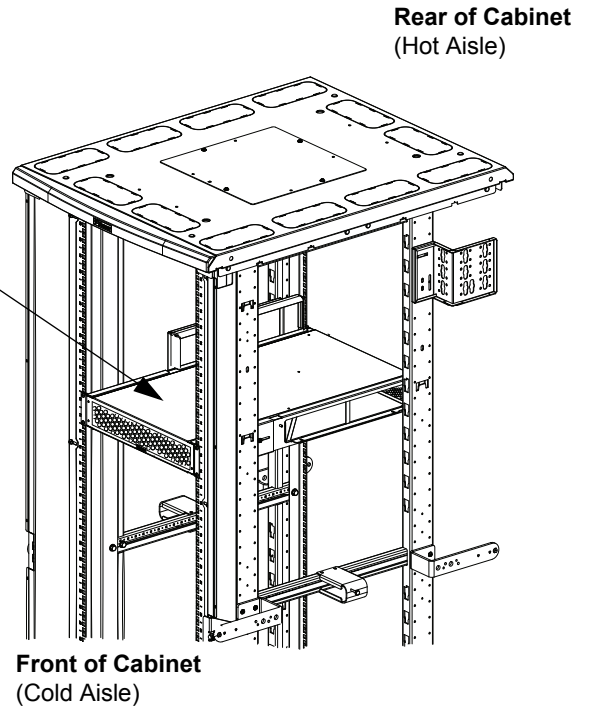


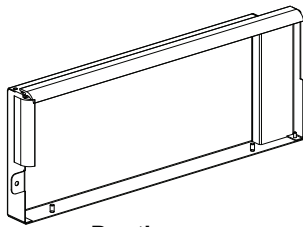
**Switch Cabinet
Application**

4900M Duct
(Installed in
Net-Access
Cabinet.)

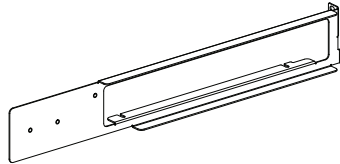


**Server Cabinet
Application**

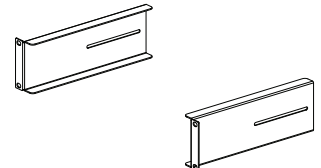
Component Guide



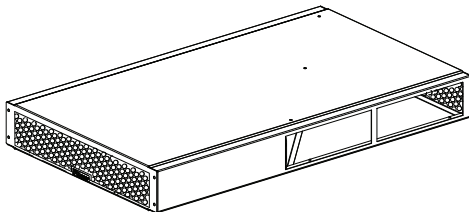
Ducting



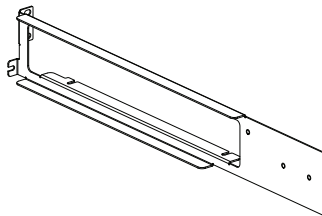
Left Hand Bracket



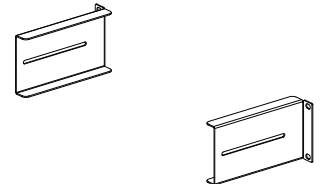
Server Adjustment Brackets



Duct Box



Right Hand Bracket



Switch Adjustment Brackets

Table of Contents - 4900M Ducting

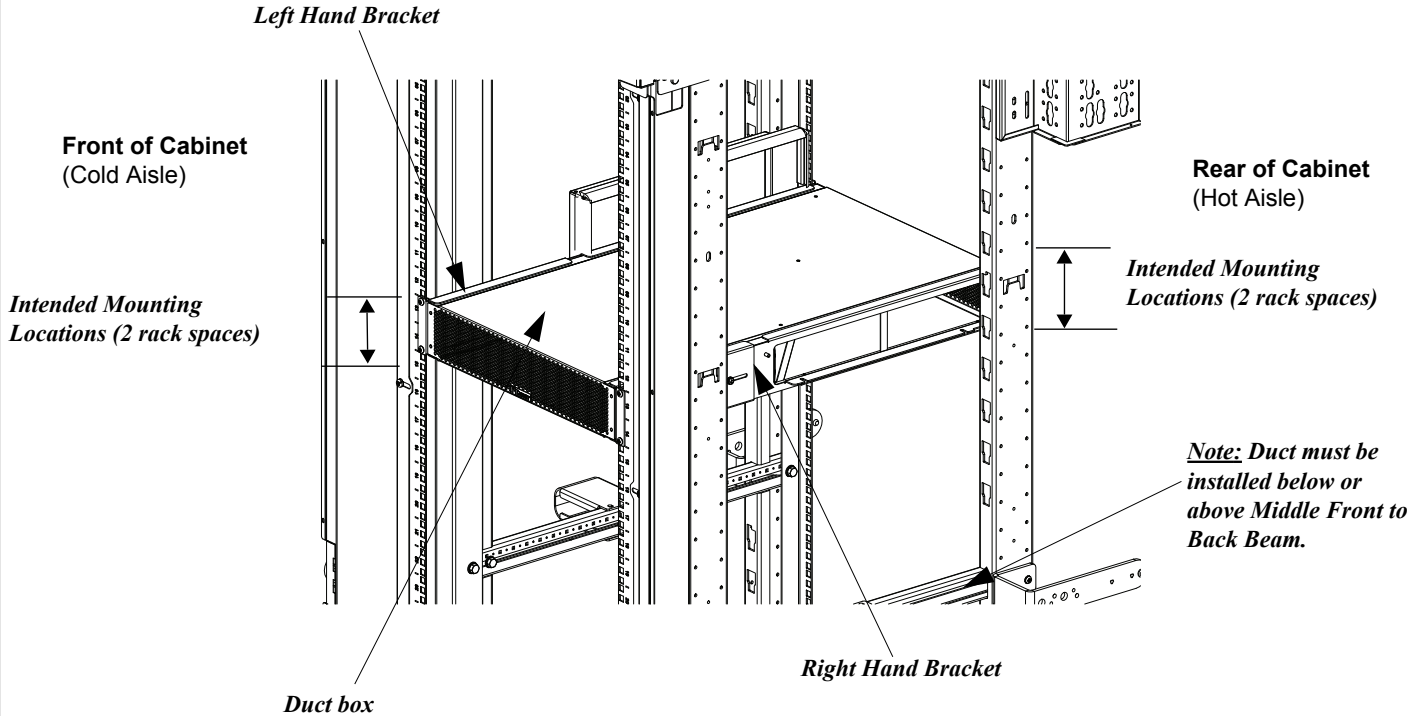
Section 1- SERVER APPLICATION	Page
Determine Location of 4900M Duct.....	1
Cage Nut Installation.....	2
Left and Right Hand Bracket Installation.....	3
Ducting Installation.....	4
Duct Box Installation.....	5
Section 2- SWITCH APPLICATION	Page
Determine Location of 4900M Duct.....	6
Left and Right Hand Bracket Installation.....	7
Ducting Installation.....	8
Duct Box Installation.....	9

SECTION 1 - Server Cabinet Application - Ports Facing Hot Aisle (Cabinet Part Numbers CS*** or S***)

Determine Location of 4900M Duct

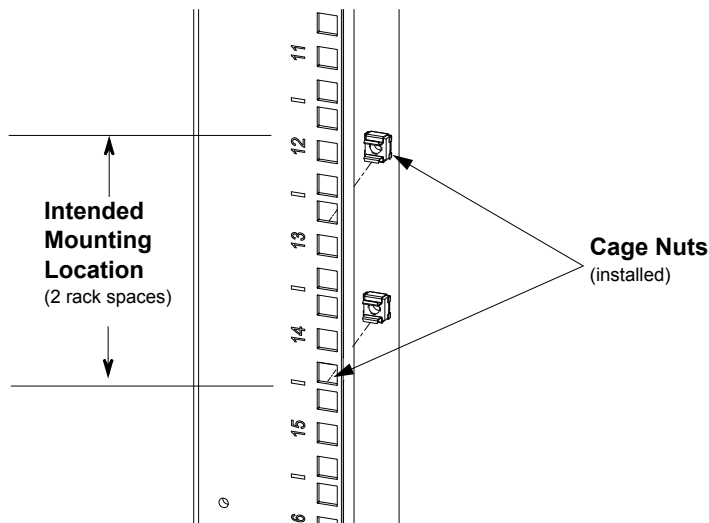
Ducting requires (2) rack spaces for installation. Duct components are to be installed prior to switch installation and are designed not to support the switch.

NOTE: Front-to-back equipment rail depth must be set to between 28.0" and 29.0".



Install Cage Nuts

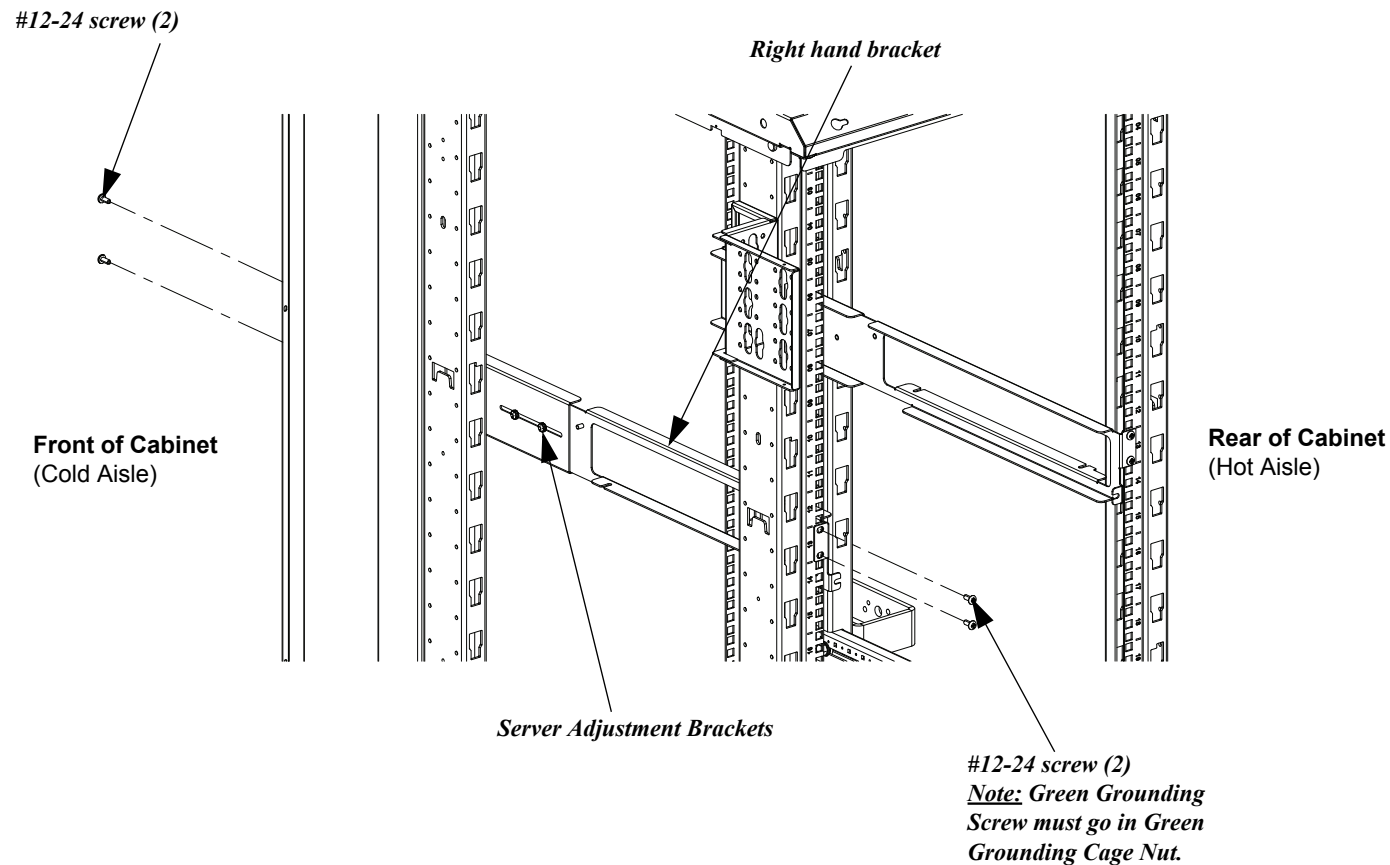
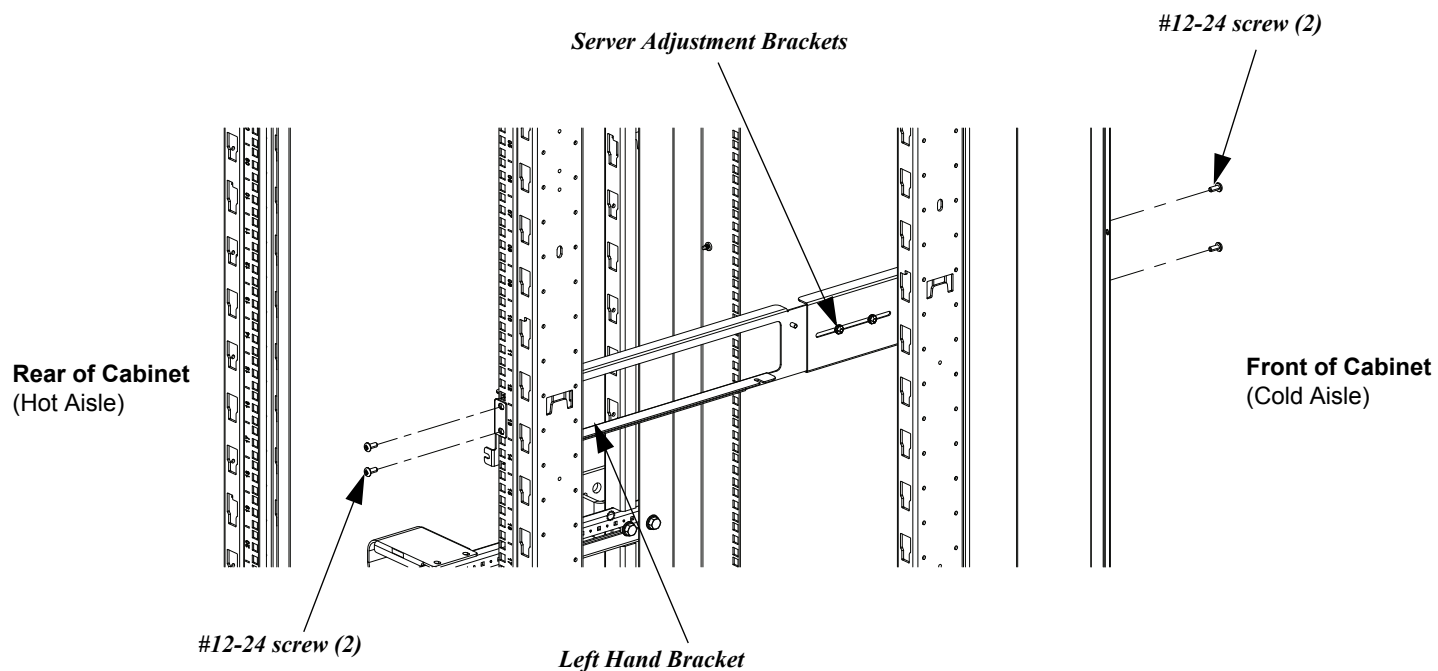
Insert (2) cage nuts per equipment rail at 4900M component mounting locations (8 total cage nuts are to be installed). (1) grounding cage nut (green) **must be** installed in each equipment rail. The view below depicts cage nut locations for (1) intended mounting location.



Left Hand Bracket Installation

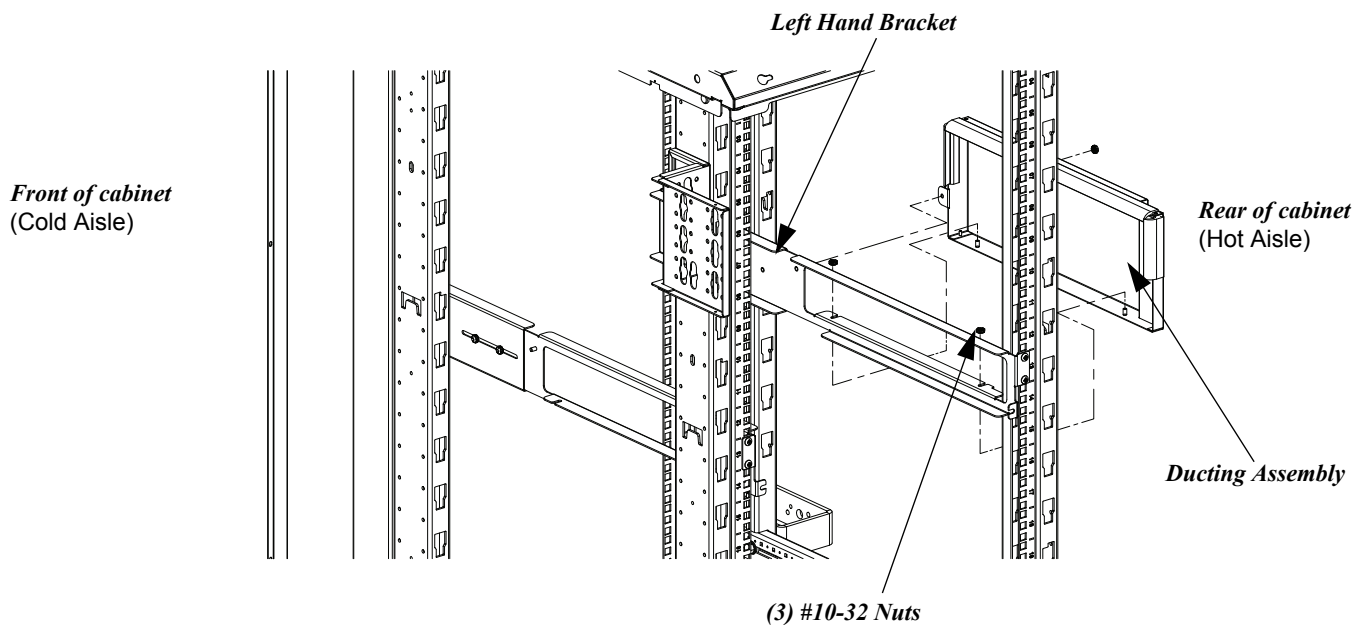
Loosen the two nuts for the server adjustment bracket and adjust the bracket to match the distance between the front and rear rails of the Server Cabinet. Align the Left Hand Bracket with the desired rack space, fasten the bracket using (2) #12-24 screws in the front rail and (2) in the rear rail. Tighten nuts on adjustment bracket to lock in place.

-Repeat previous steps for Right Hand Bracket.



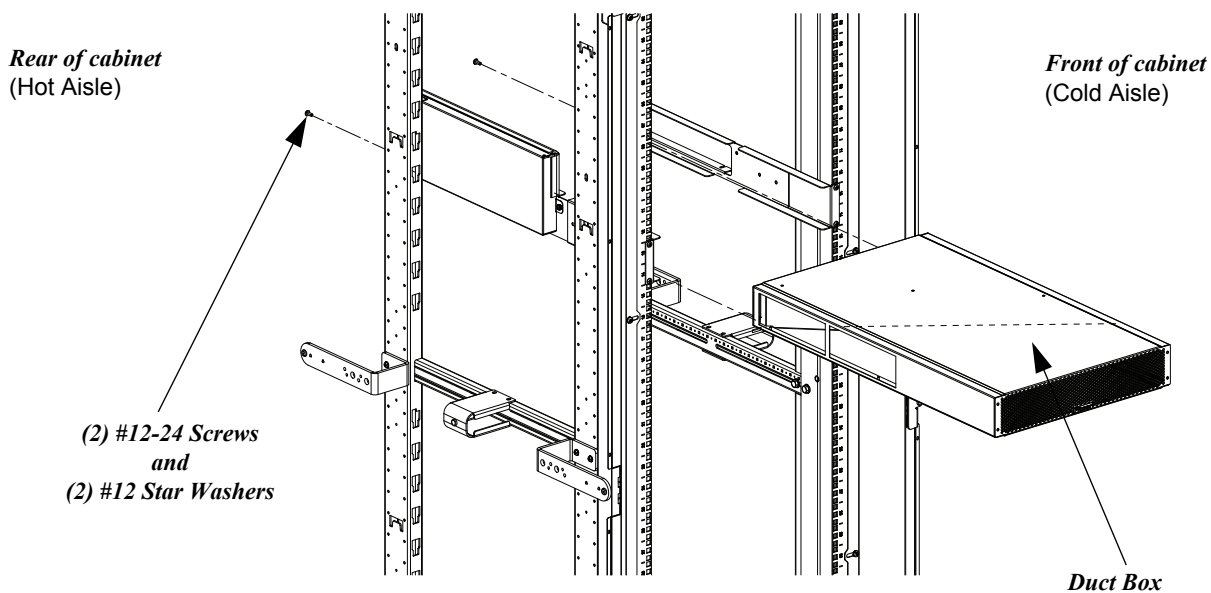
Ducting Installation

Install (1) Ducting Assembly to Left Hand Bracket using (3) #10-32 nuts. Align Duct with pem studs in Left Hand bracket and secure with (3) #10-32 nuts.



Duct Box Installation

Insert Duct Box into Left Hand Bracket and Right Hand Bracket by sliding duct box along the lower flange. Push in until stop is reached, secure box with (2) #12-24 screws, and (2) #12 star washers.

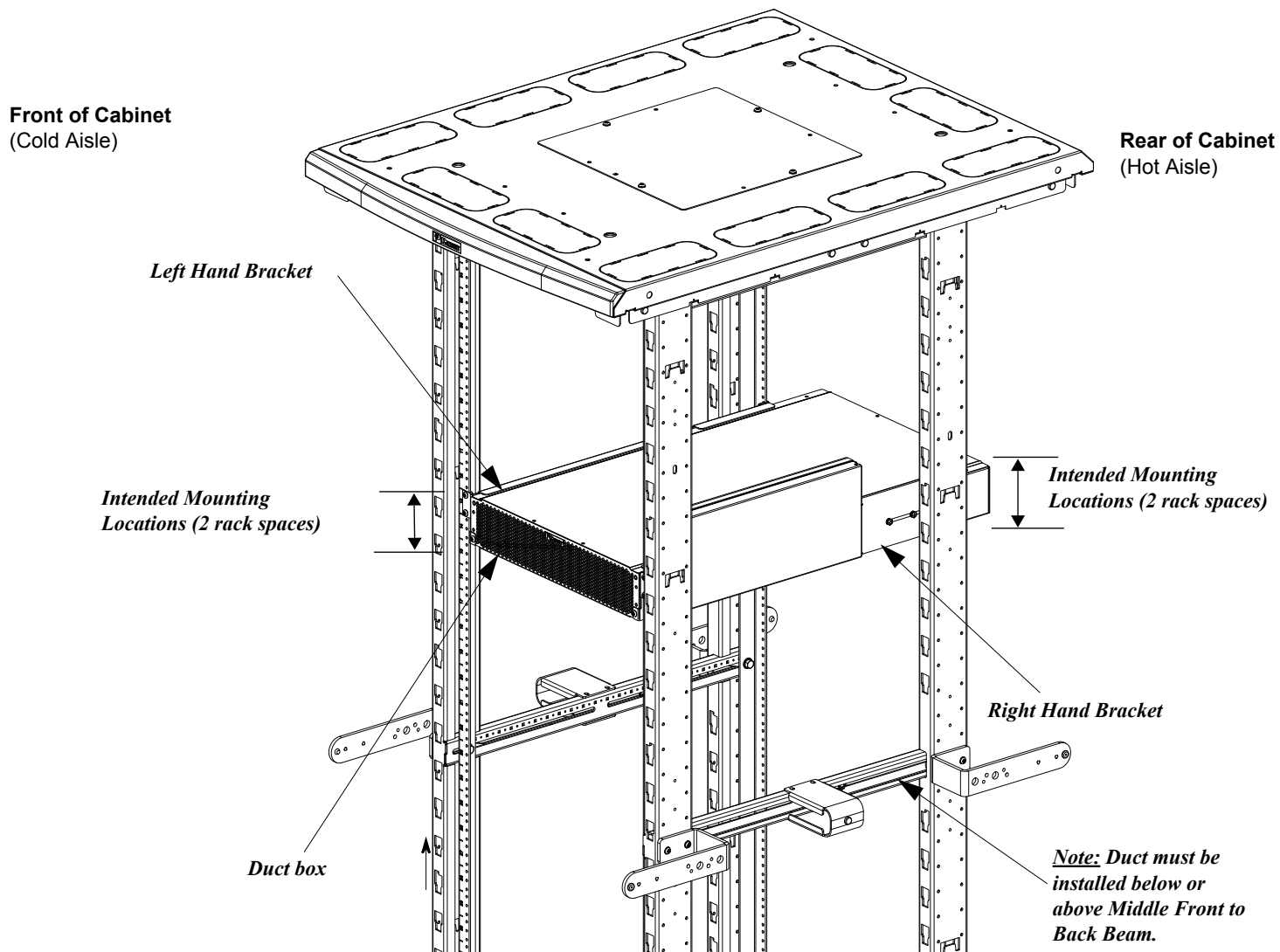


SECTION 2 - Switch Cabinet Application - Ports Facing Cold Aisle (Cabinet Part Numbers N*** or CN***)

Determine Location of Duct

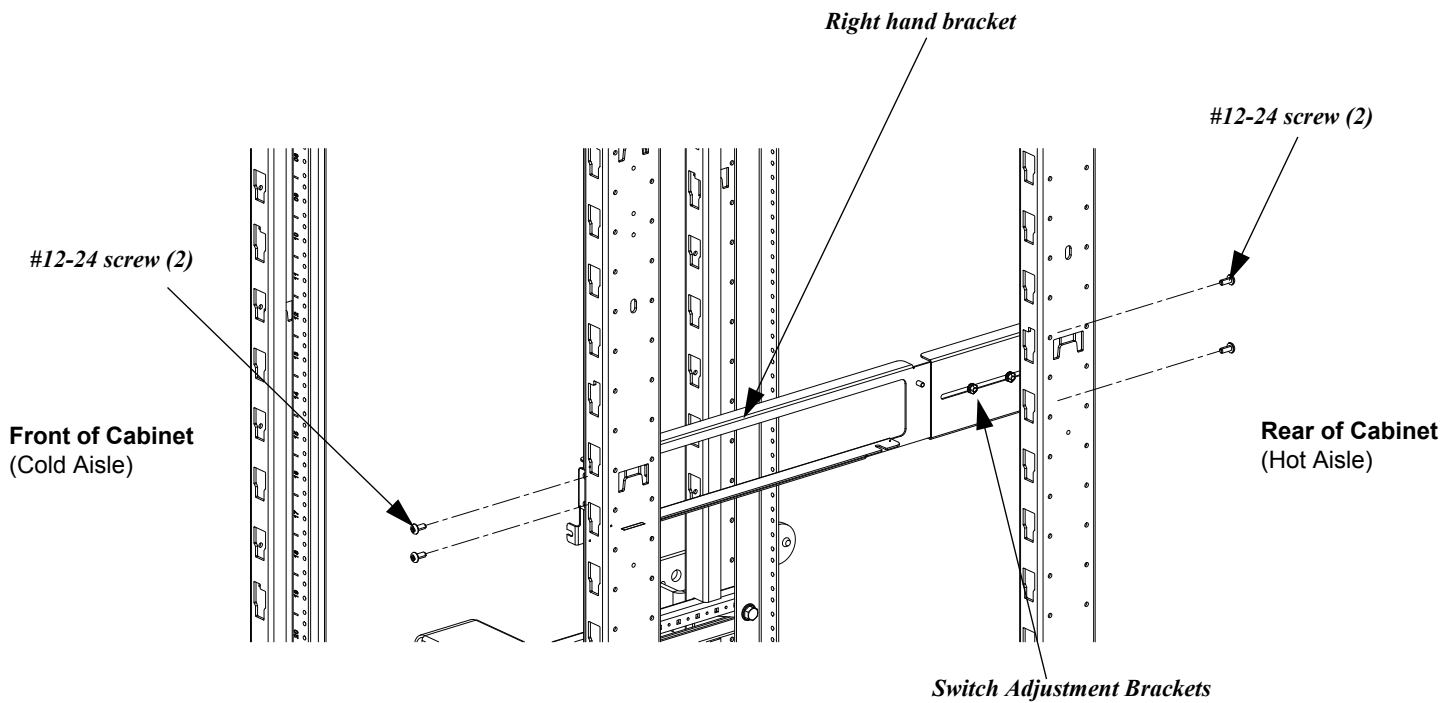
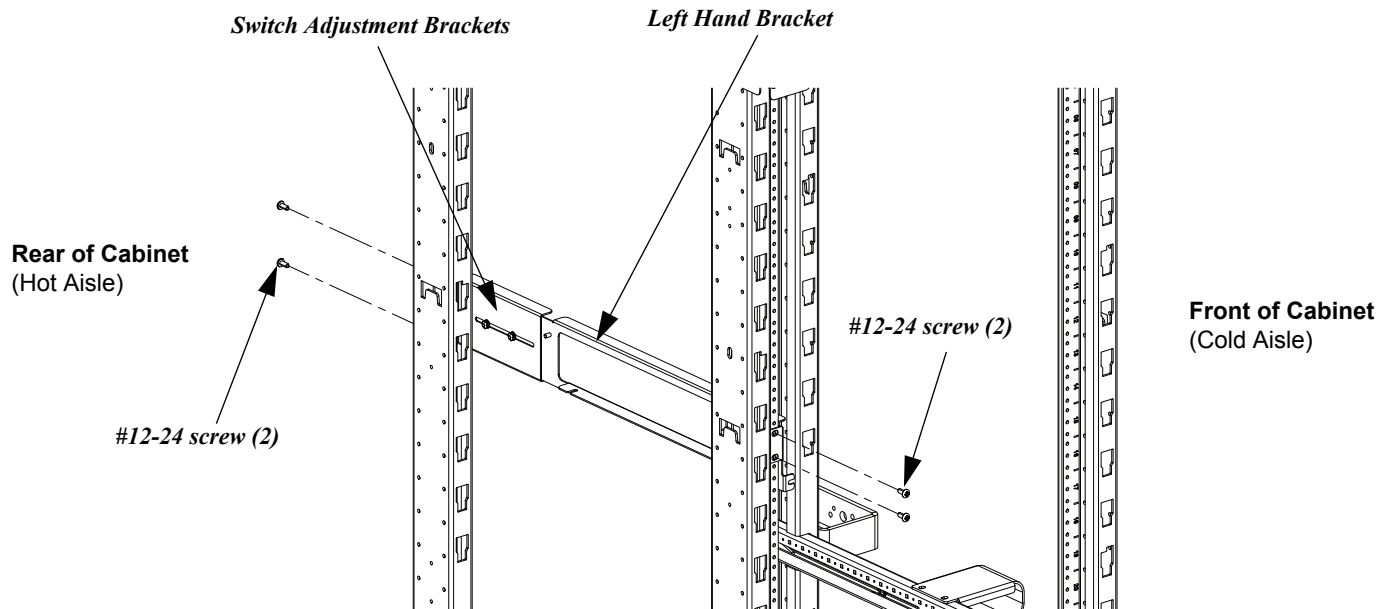
Ducting requires (2) rack spaces for installation. 4900M Duct components are to be installed prior to switch installation and are designed not to support the switch.

NOTE: Front-to-back equipment rail depth must be set to between 24.5" and 26.0"



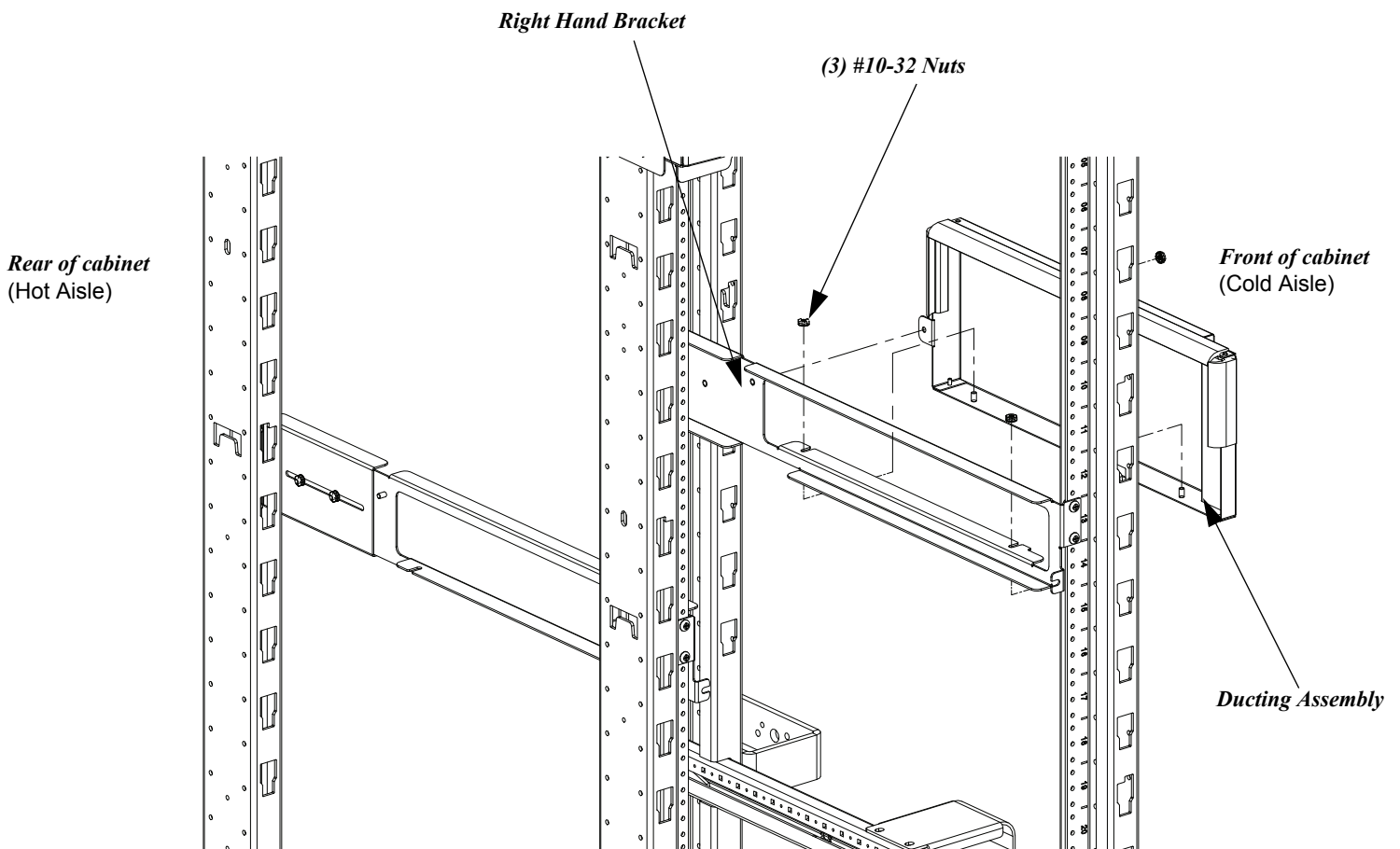
Left Hand Bracket Installation

Loosen the two nuts for the switch adjustment bracket and adjust the bracket to match the distance between the front and rear rails of the Switch Cabinet. Align the Left Hand Bracket with the desired rack space, fasten the bracket using (2) #12-24 screws in the front rail and (2) #12-24 screws in the rear rail. Tighten nuts on adjustment bracket to lock in place.
-Repeat previous steps for Right Hand Bracket.



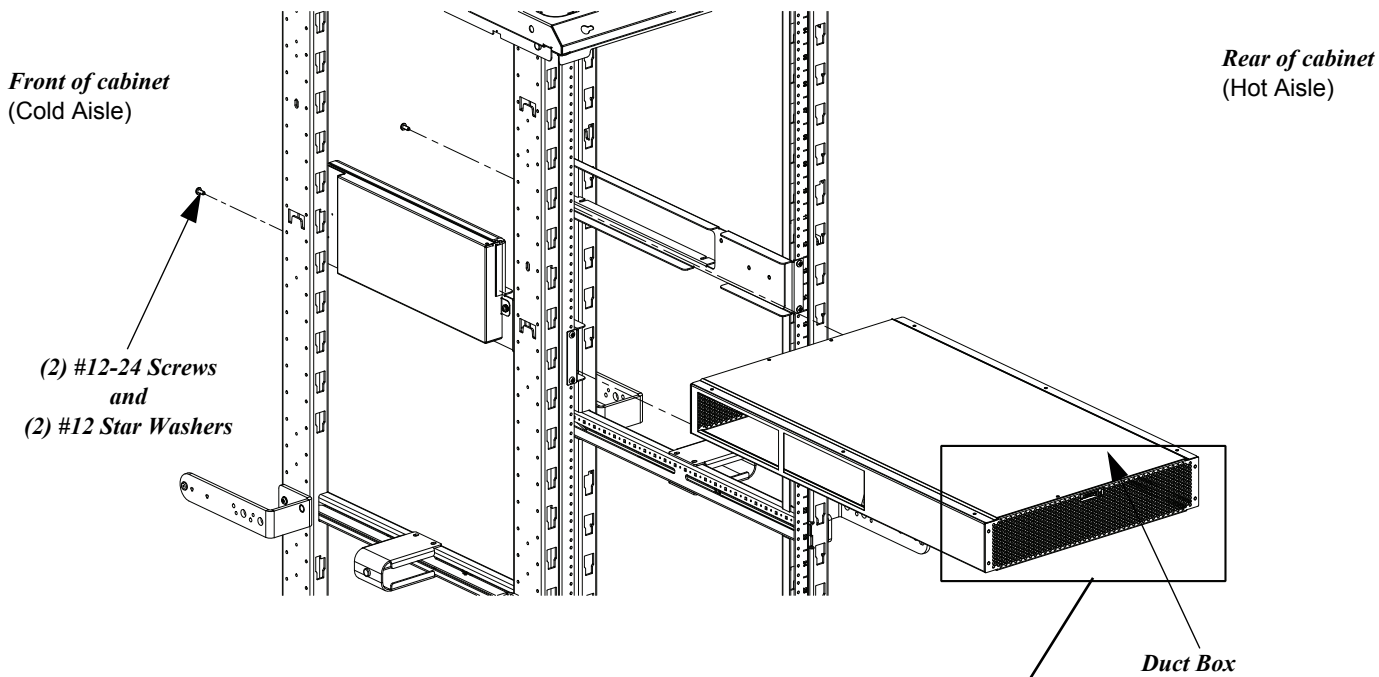
Ducting Installation

Install (1) Ducting Assembly to Right Hand Bracket using (3) #10-32 nuts. Align Duct with pem studs in Right Hand bracket and secure with (3) #10-32 nuts.



Duct Box Installation

Insert Duct Box into Left Hand Bracket and Right Hand Bracket by sliding duct box along the lower flange. Push in until stop is reached, secure box with (2) #12-24 screws, and (2) #12 star washer. Once duct box is installed, remove the Panduit label and rotate it 180 degrees then re-apply the label.



*Note: Orientation of
Duct Box*

