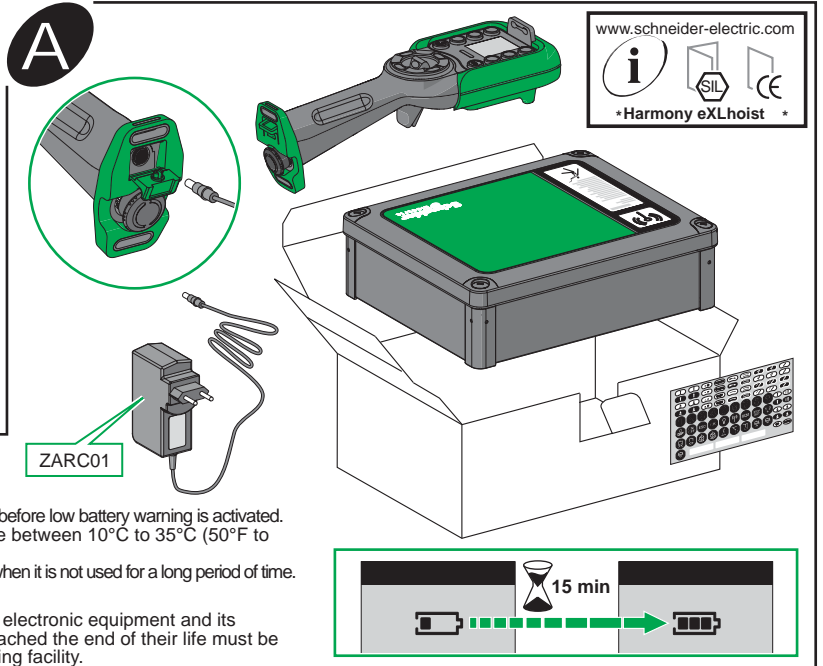


Harmony™ eXLhoist



ZARC01

You can download our technical user guide file from our website at [www.schneider-electric.com](http://www.schneider-electric.com)

For the optimal use of the battery :

- It is recommended to charge the Remote Control Device before the first use and before low battery warning is activated.
- It is needed to charge the Remote Control Device with room temperature between 10°C to 35°C (50°F to 95°F) to reach the full battery charge in 15 min.
- It is recommended to charge the Remote Control Device once in every six months when it is not used for a long period of time.

Do not dispose of electric tools together with household waste material!

In observance of European directive 2002/96/EC on wasted electrical and electronic equipment and its implementation in accordance with national law, electric tools that have reached the end of their life must be collected separately and returned to an environmentally compatible recycling facility.

**⚠ DANGER**

**HAZARD OF ELECTRIC SHOCK, EXPLOSION OR ARC FLASH**

- Disconnect all power from all equipment including connected devices, prior to removing any covers or doors, or installing or removing any accessories, hardware, cables, or wires except under the specific conditions specified in the appropriate hardware guide for this equipment.
  - Always use a properly rated voltage sensing device to confirm the power is off where and when indicated.
  - Replace and secure all covers, accessories, hardware, cables, and wires and confirm that a proper ground connection exists before applying power to the unit.
  - Use only the specified voltage when operating this equipment and any associated products.
- Failure to follow these instructions will result in death or serious injury.**

**⚠ WARNING**

**UNINTENDED EQUIPMENT OPERATION**

- Use appropriate safety interlocks where personnel and/or equipment hazards exist.
  - Install and operate this equipment in an enclosure appropriately rated for its intended environment.
  - Do not disassemble, repair, or modify this equipment.
  - Do not connect any wiring to unused connections, or to connections designated as Not Connected (N.C.).
  - Put the remote into STOP mode when not operating the unit to avoid accidental operations of motions push buttons.
- Failure to follow these instructions can result in death, serious injury, or equipment damage.**

Electrical equipment should be installed, operated, serviced, and maintained only by qualified personnel. No responsibility is assumed by Schneider Electric for any consequences arising out of the use of this material.

This device complies with part 15 of the FCC Rules and Industry Canada licence-exempt RSS standard(s). Operation is subject to the following two conditions:

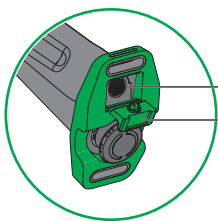
- 1) This device may not cause harmful interference, and
- 2) this device must accept any interference received, including interference that may cause undesired operation.

Le présent appareil est conforme aux CNR d'Industrie Canada applicables aux appareils radio exempts de licence. L'exploitation est autorisée aux deux conditions suivantes :

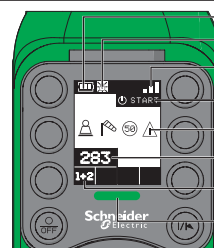
- 1) L'appareil ne doit pas produire de brouillage.
- 2) L'utilisateur de l'appareil doit accepter tout brouillage radioélectrique subi, même si le brouillage est susceptible d'en compromettre le fonctionnement.

IFETEL : La operación de este equipo está sujeta a las siguientes dos condiciones :

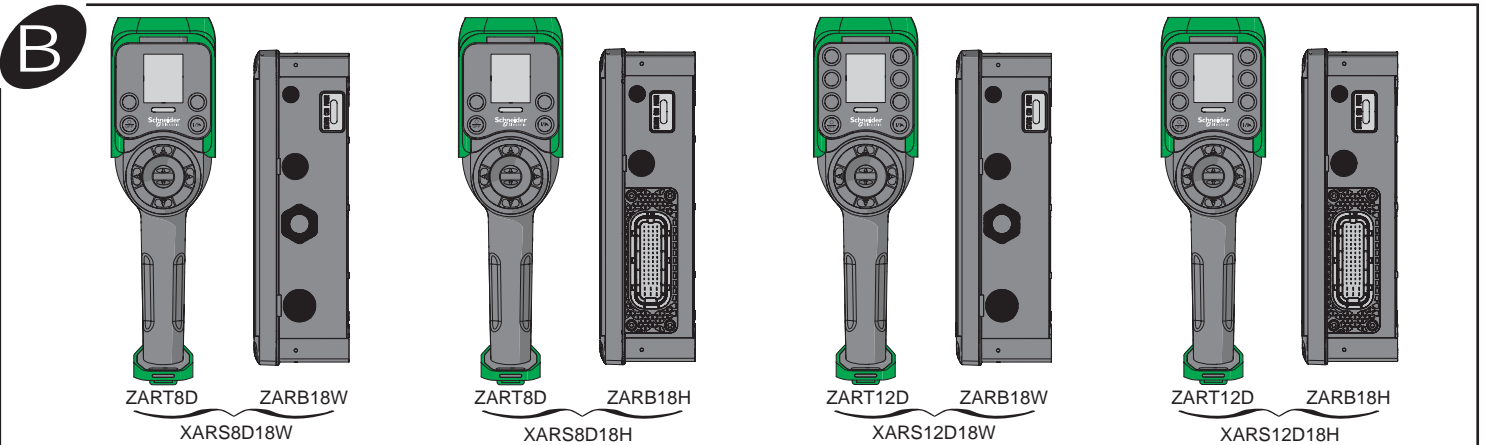
- (1) es posible que este equipo o dispositivo no cause interferencia perjudicial y
- (2) este equipo o dispositivo debe aceptar cualquier interferencia, incluyendo la que pueda causar su operación no deseada.



Remote Control Device battery charge connector  
Protective plug



Battery level  
Reset code required  
Radio communication level  
Operation status  
Detected application alarms  
Base label  
Selector status  
E-STOP LED



**C1** Customization of the auxiliary buttons

Diagram C1 illustrates the customization of auxiliary buttons. It shows a handheld device with a keypad overlay, a plus sign, and a minus sign. A close-up shows the device's buttons, including a trash can icon and a '1' icon. An information icon 'i' points to a hand pressing a button with a trash can icon, and another hand pressing a button with a '1' icon.

**C2**

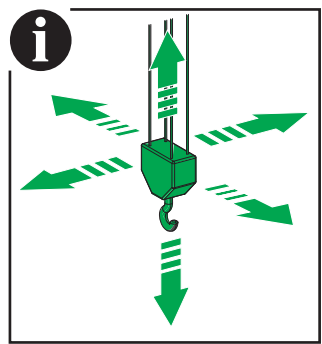
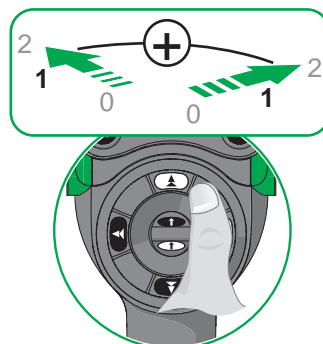
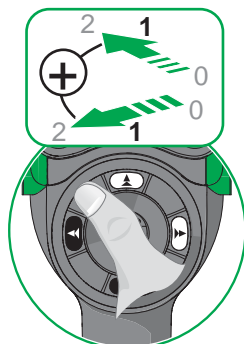
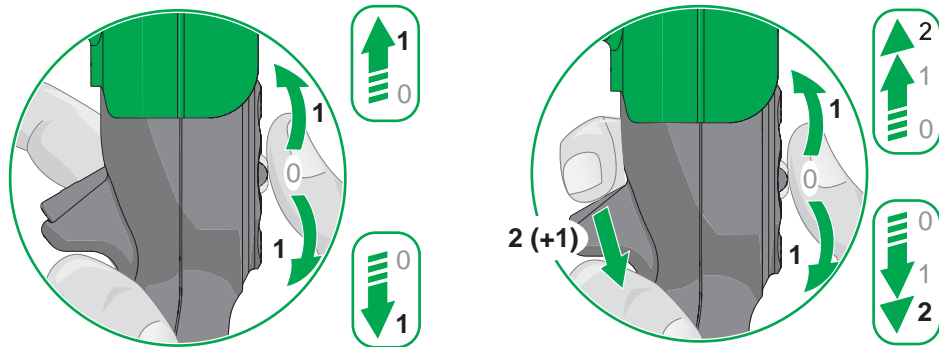
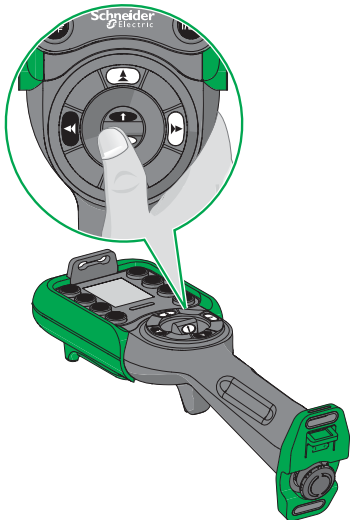
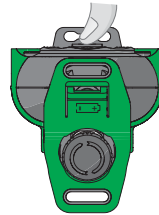
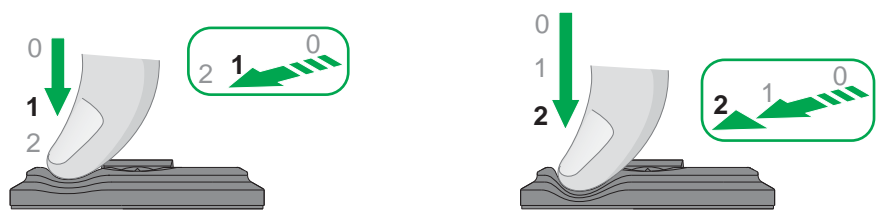
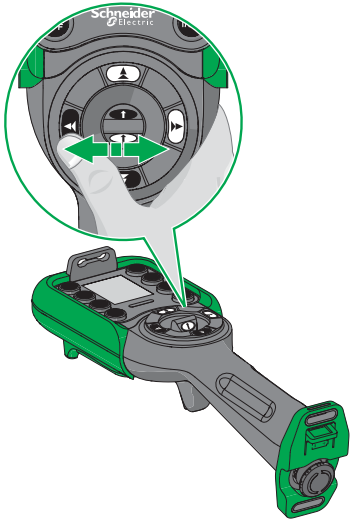
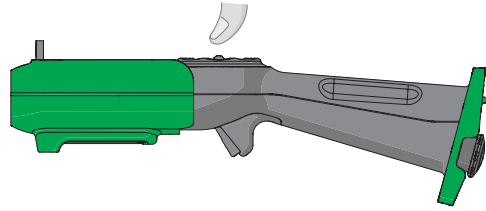
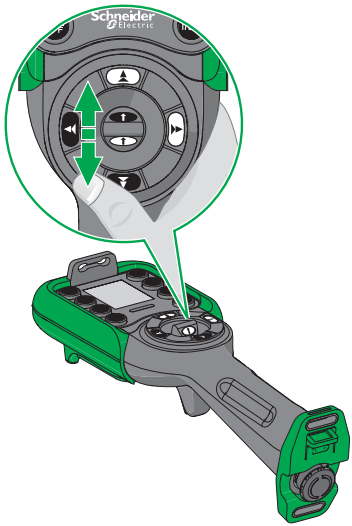
Diagram C2 shows two views of the handheld device. The left view shows the front of the device with a hand holding it. The right view shows the back of the device with a hand holding it.

**C3** Switch on procedure

Diagram C3 illustrates the switch on procedure. It shows a hand holding the device with a 1s timer icon. Below are two close-up views of the device's screen: the first shows a blank screen, and the second shows the screen with 'STOP', '283', and '1+2'.

**C4** Start Up Procedure

Diagram C4 illustrates the start up procedure. It shows a hand holding the device with a 1s timer icon. Below are two close-up views of the device's screen: the first shows 'STOP', '283', and '1+2', and the second shows 'START', '283', and '1+2'.



**E** Selector function button

The diagrams show a hand holding the device. The screen displays 'START' at the top and '283' in the middle. Below '283', there are three columns representing menu options. In the first diagram, the first column contains '1'. In the second, it contains '1+2'. In the third, it contains '2'. Green arrows indicate the sequence of selections.

**F** Messages display

Pre alarm	Alarm	
		Over-load
		Over-wind
		Over-speed
		Generic

The diagram shows the device screen displaying a message with a person icon, a wind icon, and a speedometer icon. A plus sign (+) is shown next to the device, indicating an alarm state.

**G** General stop procedure and re-start

The diagram shows a hand holding the device. The screen displays 'STOP' and '283'. A green arrow points to the stop button. Below the device, a green bar indicates the stop state. The re-start sequence procedure is shown with a hand holding the device, a green arrow pointing to the start button, and a green bar indicating the re-start state.

**H** Stop procedure

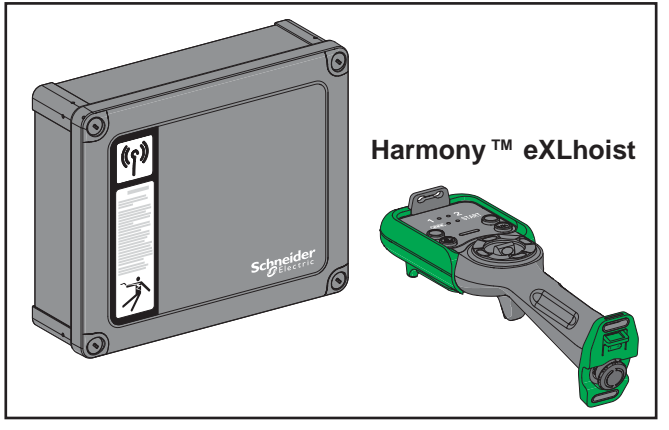
The diagram shows the device screen displaying 'START' and '283'. A green arrow points to the stop button. The screen then displays 'STOP' and '283'. A note below the diagram states: "Note : the system will automatically enter in stop mode after predefined delay".

**I** Switch off procedure

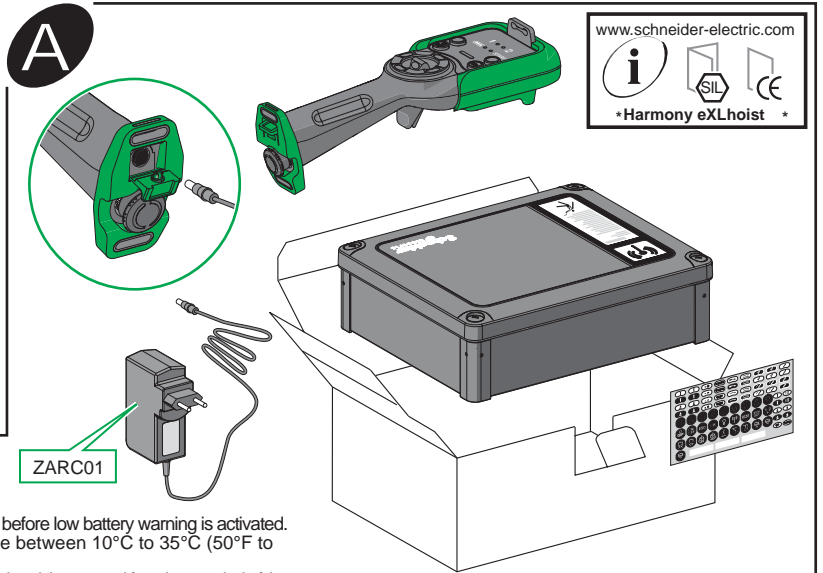
The diagram shows the device screen displaying 'STOP' and '283'. A green arrow points to the stop button. A 2 s timer icon is shown. The screen then displays a greyed-out state. A note below the diagram states: "Note : the system will automatically enter in switch off mode after predefined delay".

**J** Accessories

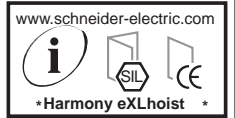
The diagram shows three accessories: a battery charger (ZARC01) with a cable, a shoulder strap (ZARC02), and a remote holder (ZARC04).



Harmony™ eXLhoist



ZARC01



You can download our technical user guide file from our website at [www.schneider-electric.com](http://www.schneider-electric.com).

For the optimal use of the battery :

- It is recommended to charge the Remote Control Device before the first use and before low battery warning is activated.
- It is needed to charge the Remote Control Device with room temperature between 10°C to 35°C (50°F to 95°F) to reach the full battery charge in 15 min.
- It is recommended to charge the Remote Control Device once in every six months when it is not used for a long period of time.

Do not dispose of electric tools together with household waste material!

In observance of European directive 2002/96/EC on wasted electrical and electronic equipment and its implementation in accordance with national law, electric tools that have reached the end of their life must be collected separately and returned to an environmentally compatible recycling facility.

**⚠ DANGER**

**HAZARD OF ELECTRIC SHOCK, EXPLOSION OR ARC FLASH**

- Disconnect all power from all equipment including connected devices, prior to removing any covers or doors, or installing or removing any accessories, hardware, cables, or wires except under the specific conditions specified in the appropriate hardware guide for this equipment.
  - Always use a properly rated voltage sensing device to confirm the power is off where and when indicated.
  - Replace and secure all covers, accessories, hardware, cables, and wires and confirm that a proper ground connection exists before applying power to the unit.
  - Use only the specified voltage when operating this equipment and any associated products.
- Failure to follow these instructions will result in death or serious injury.**

**⚠ WARNING**

**UNINTENDED EQUIPMENT OPERATION**

- Use appropriate safety interlocks where personnel and/or equipment hazards exist.
  - Install and operate this equipment in an enclosure appropriately rated for its intended environment.
  - Do not disassemble, repair, or modify this equipment.
  - Do not connect any wiring to unused connections, or to connections designated as Not Connected (N.C.).
  - Put the remote into STOP mode when not operating the unit to avoid accidental operations of motions push buttons.
- Failure to follow these instructions can result in death, serious injury, or equipment damage.**

Electrical equipment should be installed, operated, serviced, and maintained only by qualified personnel. No responsibility is assumed by Schneider Electric for any consequences arising out of the use of this material.

This device complies with part 15 of the FCC Rules and Industry Canada licence-exempt RSS standard(s). Operation is subject to the following two conditions:

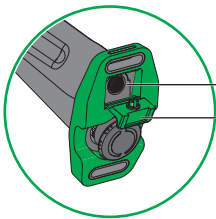
- 1) This device may not cause harmful interference, and
- 2) this device must accept any interference received, including interference that may cause undesired operation.

Le présent appareil est conforme aux CNR d'Industrie Canada applicables aux appareils radio exempts de licence. L'exploitation est autorisée aux deux conditions suivantes :

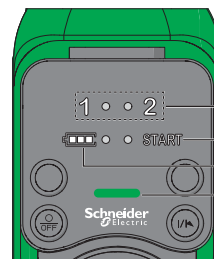
- 1) L'appareil ne doit pas produire de brouillage.
- 2) L'utilisateur de l'appareil doit accepter tout brouillage radioélectrique subi, même si le brouillage est susceptible d'en compromettre le fonctionnement.

IFETEL : La operación de este equipo está sujeta a las siguientes dos condiciones :

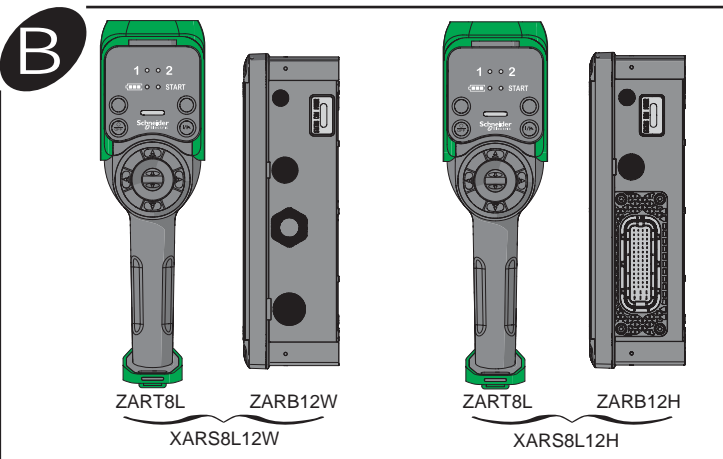
- (1) es posible que este equipo o dispositivo no cause interferencia perjudicial y
- (2) este equipo o dispositivo debe aceptar cualquier interferencia, incluyendo la que pueda causar su operación no deseada.



Remote Control Device battery charge connector  
Protective plug

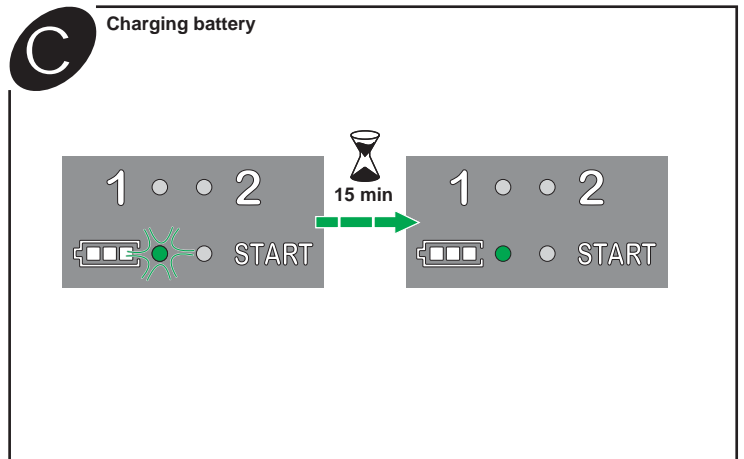


Selector status  
Operative status  
Battery level LED  
E-STOP LED



ZART8L ZARB12W  
XARS8L12W

ZART8L ZARB12H  
XARS8L12H



Charging battery



**D1 Customization of the auxiliary buttons**

**D2**

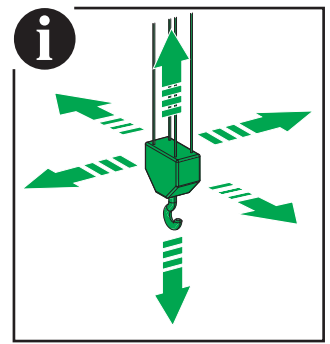
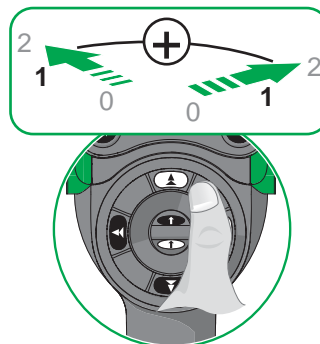
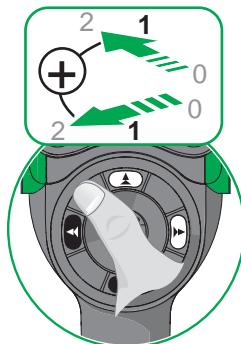
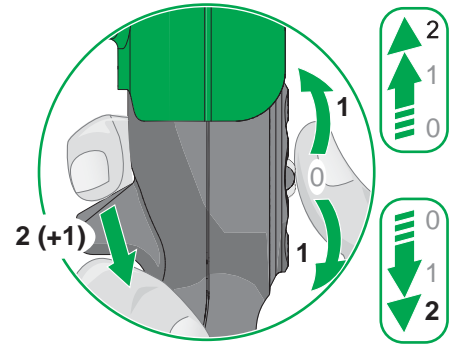
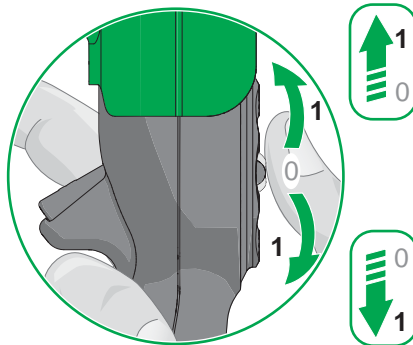
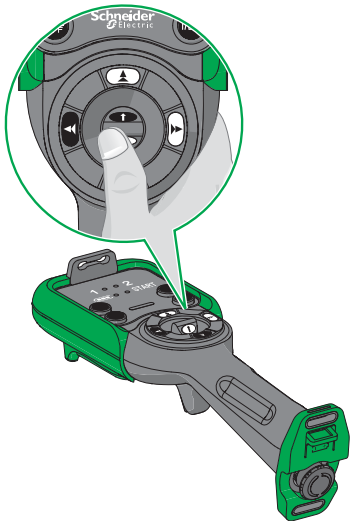
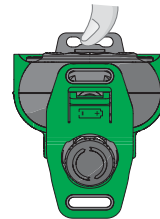
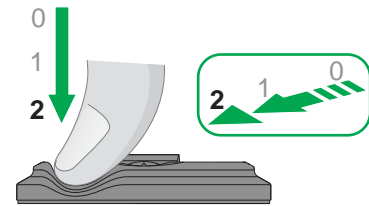
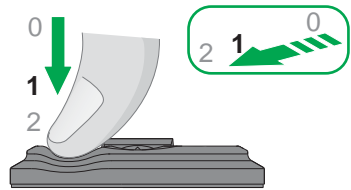
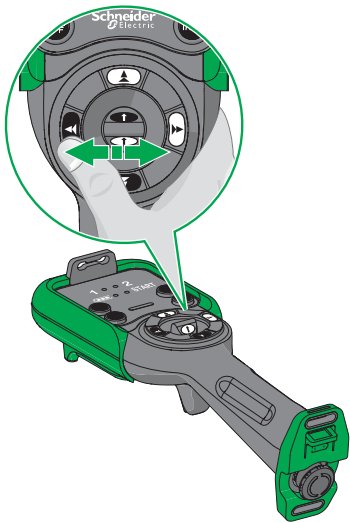
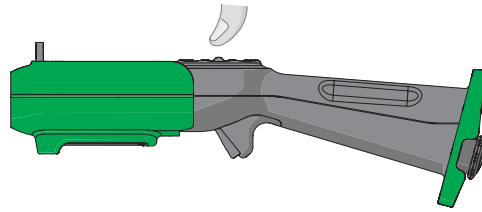
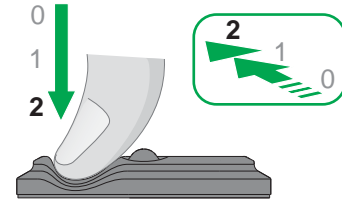
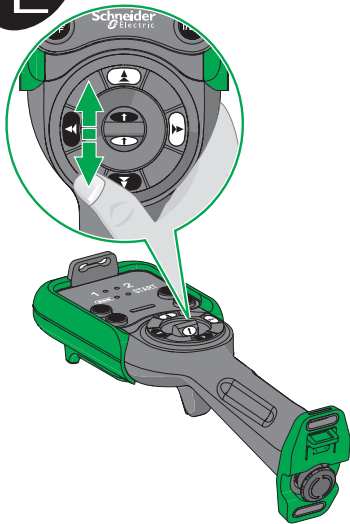
**D3 Communication signal**

**D4 Switch on procedure**

**D5 Start Up Procedure**

**E**

Movements



**F** Selector function button

**G** General stop procedure and re-start

Re-start sequence procedure

**H** Stop procedure

Note : the system will automatically enter in stop mode after predefined delay

**I** Switch off procedure

Note : the system will automatically enter in switch off mode after predefined delay

**J** Accessories

Battery charger (ZARC01)

Shoulder strap (ZARC02)

Remote holder (ZARC04)