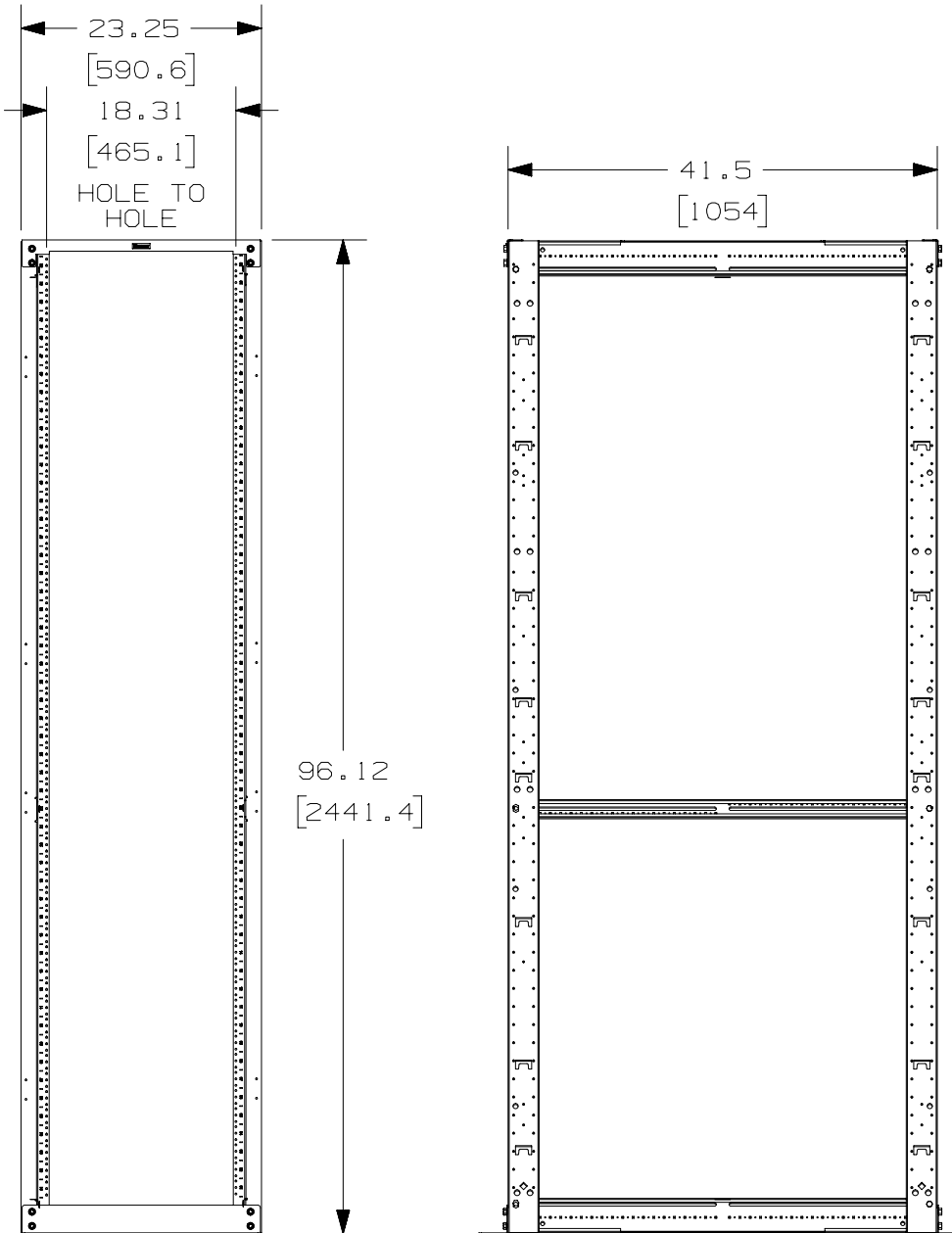


THIS COPY IS PROVIDED ON A RESTRICTED BASIS AND IS NOT TO BE USED IN ANY WAY DETRIMENTAL TO THE INTERESTS OF PANDUIT CORP.



PANDUIT P/N	WEIGHT
R4P4296	123 LBS/EACH 56.0 Kg/EACH
R4P42CN96	113 LBS/EACH 51.5 Kg/EACH

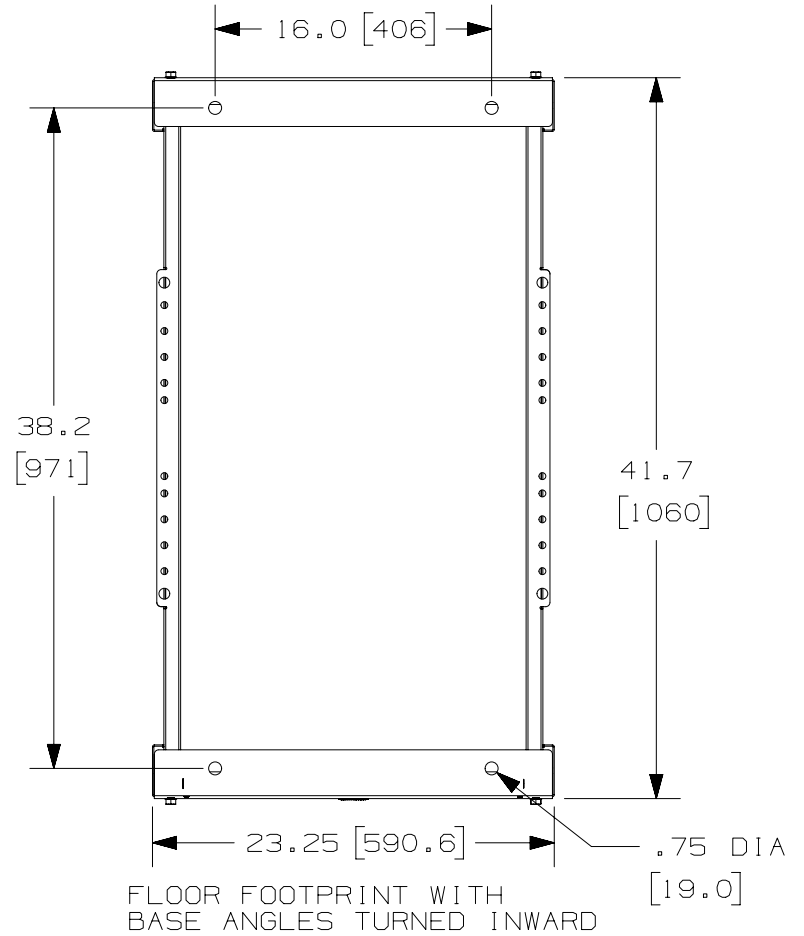
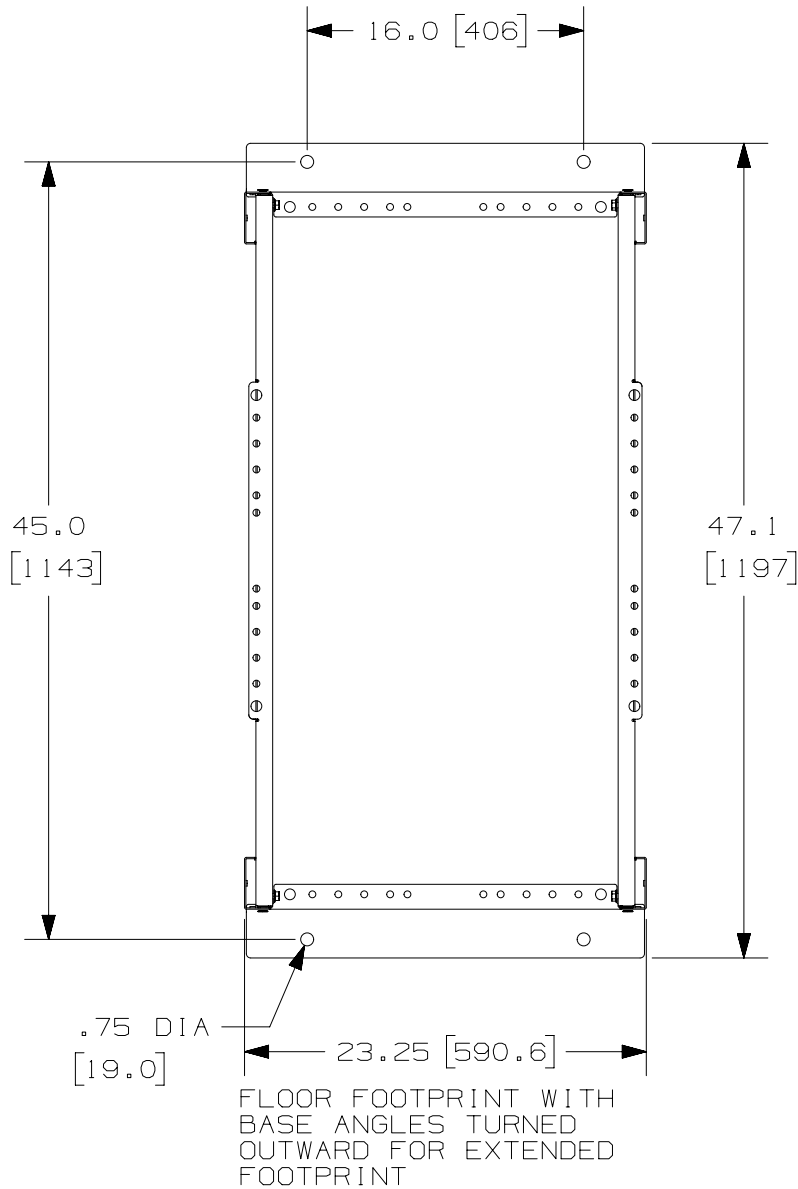
NOTES:

- VISIT OUR ON-LINE CATALOG AT WWW.PANDUIT.COM FOR A LIST OF CURRENT PARTS APPLICABLE FOR USE WITH THIS PRODUCT.
- DIMENSIONS IN PARENTHESIS ARE METRIC.
- INDEPENDENT ADJUSTABLE FRONT & REAR MOUNTING RAILS (EIA) ADJUST FROM 3.25" TO 42" DEPTH.
- CAN BE USED WITH ANY EIA STANDARD COMPONENT IN ADDITION TO ALL PANDUIT HORIZONTAL CABLE MANAGEMENT AND PATCH PANEL PRODUCTS.
- 52 AVAILABLE RACK SPACES.
- EIA UNIVERSAL STANDARD HOLE PROGRESSION ON FRONT CHANNELS AND REAR MOUNT RAILS .625", .625", .500", .625", .625", .500"...ETC.
- ALL RACKS WILL HAVE NUMBERS UP ORIENTATION (RU "01" ON BOTTOM, RU "52" ON TOP). INSTRUCTIONS WILL BE PROVIDED ON HOW TO GET NUMBERS DOWN ORIENTATION.
- RU SPACING NUMBERS ARE CLEARLY PRINTED ON MOUNTING RAILS.
- ALL ASSEMBLY HARDWARE INCLUDED:
 - (16) 3/8-16 X 1" BLACK HEX BOLT
 - (16) 3/8" PAINT PIERCING GROUNDING WASHER
 - (1) TUBE OF ANTI-OXIDIZING PASTE
 - (25) 12-24 X .5" SLOTTED PAN HEAD STEEL SCREW
 - (25) #12-24 CAGE NUTS (ONLY PROVIDED FOR R4P42CN96)
- EASY ASSEMBLY, ONE WRENCH NEEDED TO INSTALL BOLTS INTO WELDNUTS IN ALL 8 CORNERS.
- FULLY BONDED STRUCTURE WHEN ASSEMBLED PER INSTRUCTIONS.
- LOAD RATING - 2500 LBS.

TITLE		8FT 42" DEEP 4 POST RACK (R4P4296/R4P42CN96)	
		CUSTOMER DRAWING	
ITEM REVISION NAME		V10679ZG/02	
DATASET FILE NAME		V10679ZG_DC/02A	
UNLESS OTHERWISE SPECIFIED, DIMENSIONAL TOLERANCES ARE:		MATERIAL:	
INCHES	METRIC - MILLIMETER	PANDUIT STEEL	
X.X +/- 0.03	X.X +/- 0.8		
X.XX +/- 0.018	X.X +/- 0.46		
X.XXX +/- 0.007	X.XX +/- 0.18		
		DRAWING NUMBER: V10679ZG-DC	
DRAWN BY	DATE	CHK	SCALE
BAME	7-2-09	DSI	NONE
SHT 1 OF 3		SIZE A	

REV	DATE	BY	CHK	APR	DESCRIPTION	ECN
02A	7-18-16	AMF	BAME	KRKE	ADDED NOTE TO PAGE 3	M09000EF
01A	10-9-09	BAME			ADJUSTED LOAD RATING HEIGHT WAS 96.00	V10679ZG-DC
00A	7-2-09	BAME	DSI		RELEASED TO PRODUCTION	V10679ZG-DC

THIS COPY IS PROVIDED ON A RESTRICTED BASIS AND IS NOT TO BE USED IN ANY WAY DETRIMENTAL TO THE INTERESTS OF PANDUIT CORP.



TITLE		8FT 42" DEEP 4 POST RACK (R4P4296/R4P42CN96)	
ITEM REVISION NAME		CUSTOMER DRAWING	
DATASET FILE NAME		V10679ZG/02	
UNLESS OTHERWISE SPECIFIED, DIMENSIONAL TOLERANCES ARE:		MATERIAL:	
INCHES	METRIC - MILLIMETER	STEEL	
X.X +/- 0.03	X. +/- 0.8	DRAWING NUMBER:	
X.XX +/- 0.018	X.X +/- 0.46	V10679ZG-DC	
X.XXX +/- 0.007	X.XX +/- 0.18	THIRD ANGLE PROJECTION	
REV	DATE	BY	DESCRIPTION
02A	7-18-16	AMF	SEE SHEET 1 OF 3 FOR REVISIONS
01A	10-9-09	BAME	SEE SHEET 1 OF 3 FOR REVISIONS
00A	7-2-09	BAME	SEE SHEET 1 OF 3 FOR REVISIONS
REV	DATE	BY	DESCRIPTION
BAME	7-2-09	DSI	DESCRIPTION

REV	DATE	BY	CHK	APR	DESCRIPTION	ECN
02A	7-18-16	AMF	BAME	KRKE	SEE SHEET 1 OF 3 FOR REVISIONS	M09000EF
01A	10-9-09	BAME			SEE SHEET 1 OF 3 FOR REVISIONS	V10679ZG-DC
00A	7-2-09	BAME	DSI		SEE SHEET 1 OF 3 FOR REVISIONS	V10679ZG-DC

THIS COPY IS PROVIDED ON A RESTRICTED BASIS AND IS NOT TO BE USED IN ANY WAY DETRIMENTAL TO THE INTERESTS OF PANDUIT CORP.

J-HOOKS UP TO 3/8" DIA. MAY BE MOUNTED ONTO RACK FROM THE FRONT OF THE TOP ANGLES

BONUS HOLES ARE FOR MOUNTING PANDUIT ACCESSORIES. SEE NOTE 1.

MOUNTING HOLES FOR OPTIONAL POWER STRIP BRACKET. BRACKETS CAN BE MOUNTED ON ANY OF THE 4 POSTS OR ADJUSTABLE RAILS.

OPTIONAL POST HOLES FOR BRACKET MOUNTING NETRUNNER

MASKED AREA FOR GROUNDING, TOP & BOTTOM OF RACK. 4 PLACES

BASE ANGLES (SEE SHEET 2 FOR MOUNTING POSITIONS)

"J" BOLT MOUNTING HOLES FOR SECURING LADDER RACK PERPENDICULAR AND PARALLEL TO 4 POST RACK.

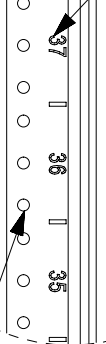
MOUNTING RAILS (ADJUSTABLE FROM 3.25" TO 42")

CUTOUTS ARE FOR MOUNTING PANDUIT ACCESSORIES SEE NOTE 1.

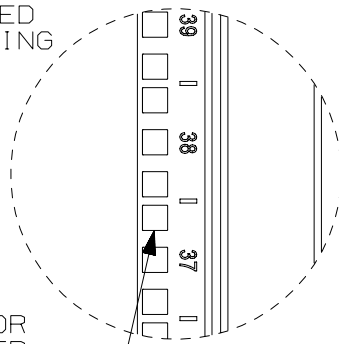
CROSS BEAMS ARE MARKED EVERY 1/2" FOR MOUNTING RAIL ALIGNMENT

MOUNTING HOLES FOR VERTICAL MANAGERS. DOUBLE HOLES ARE FOR MOUNTING PATCHRUNNER. SINGLE HOLES ARE FOR SIDE MOUNTING NETRUNNER.

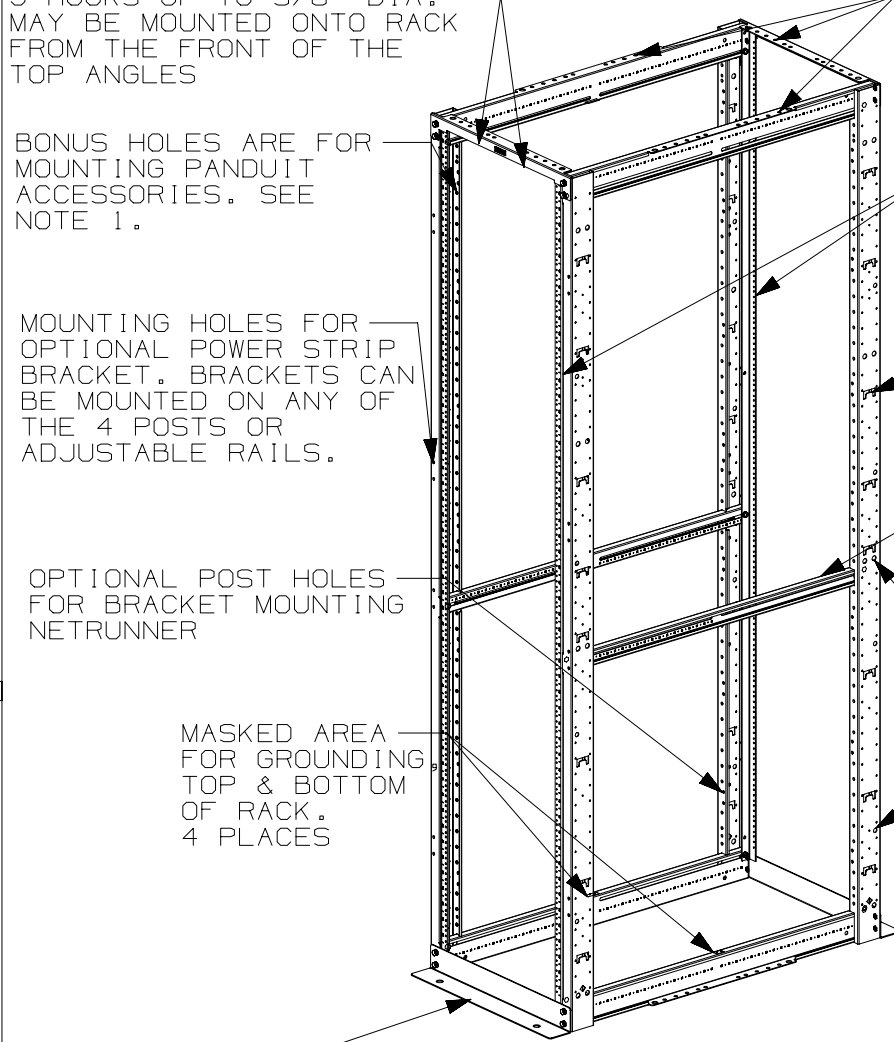
RU SPACINGS ARE PRINTED ON MOUNTING RAILS



R4P4296 RAILS HAVE TAPPED HOLES



R4P4296CN RAILS HAVE CAGE NUT HOLES



**8FT 42" DEEP 4 POST RACK
(R4P4296/R4P42CN96)**

CUSTOMER DRAWING

TITLE		8FT 42" DEEP 4 POST RACK (R4P4296/R4P42CN96)	
ITEM REVISION NAME		V10679ZG/02	
DATASET FILE NAME		V10679ZG_DC/02A	
UNLESS OTHERWISE SPECIFIED, DIMENSIONAL TOLERANCES ARE:		MATERIAL:	
INCHES	METRIC - MILLIMETER	STEEL	
X.X +/- 0.03	X.X +/- 0.8	DRAWING NUMBER:	
X.XX +/- 0.018	X.X +/- 0.46	V10679ZG-DC	
X.XXX +/- 0.007	X.XX +/- 0.18	THIRD ANGLE PROJECTION	
DRAWN BY		CHK	SCALE
BAME		DSI	NONE
DATE	7-2-09	SHT 3 OF 3	
REV	DATE	BY	SIZE
			A

02A	7-18-16	AMF	BAME	KRKE	SEE SHEET 1 OF 3 FOR REVISIONS	M09000EF
01A	10-9-09	BAME			SEE SHEET 1 OF 3 FOR REVISIONS	V10679ZG-DC
00A	7-2-09	BAME	DSI		SEE SHEET 1 OF 3 FOR REVISIONS	V10679ZG-DC
REV	DATE	BY	CHK	APR	DESCRIPTION	ECN