

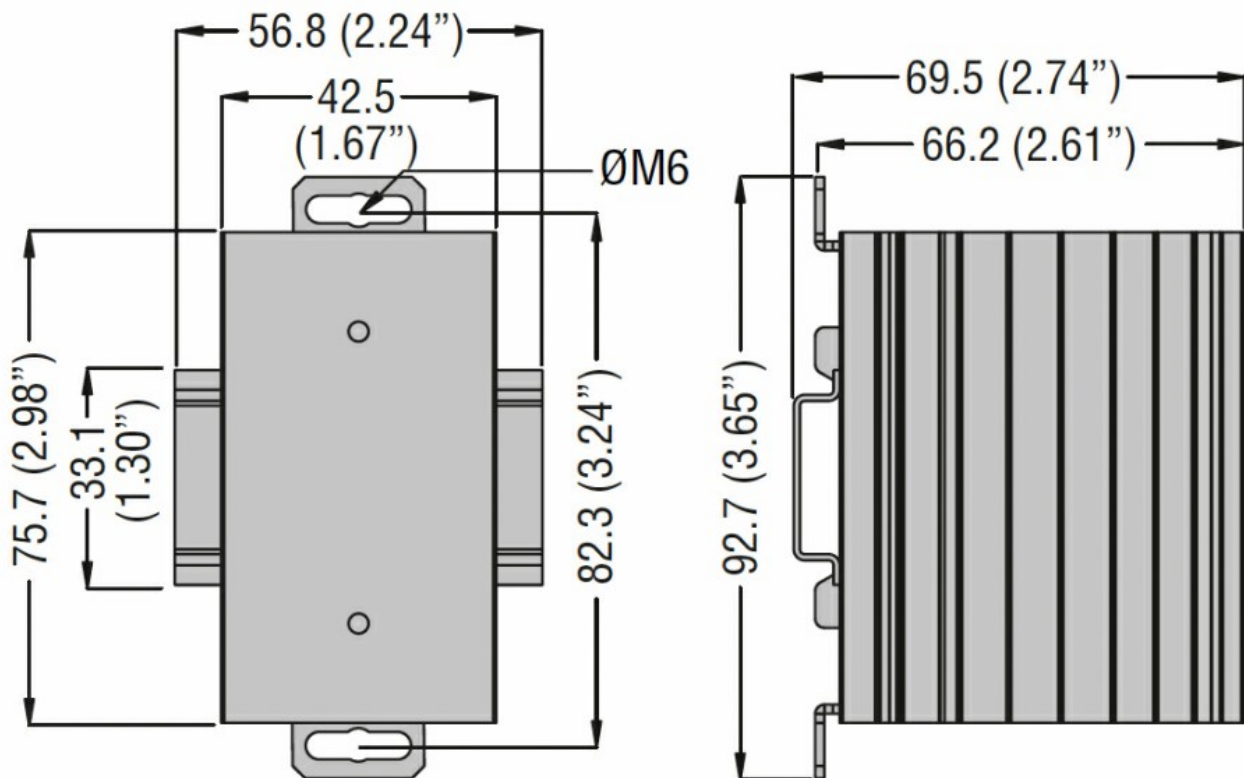


Product designation

Product type designation

Solid state relay -
 Accessories
 HSBX

Dimensions



Certifications and compliance

Certifications

- IEC/EN/BS 60947-4-2
- IEC/EN/BS 60947-4-3
- IEC/EN/BS 62314
- IEC/EN/BS 6335-1

ETIM classification

EC000066 - Power contactor, AC switching