

Part number

MIO 24.40



Hood, C-TYPE series, with 4 pegs, M40 side cable entry, size "104.27", high construction, inclined

Product description

| | |
|----------------------|-----------------------------|
| Product type | Hood |
| Series | C-TYPE |
| Closing type | With 4 pegs |
| Size | Size 104.27 |
| Cable entry | Side cable entry M40 |
| Specification | High construction, inclined |

Technical data

| | |
|--------------------------------|--------------------|
| IP degree of protection | IP65 / IP66 / IP69 |
|--------------------------------|--------------------|

Further technical details

| | |
|---|----------------|
| Weight | 303,00 g |
| Operating temperature range (min, max) | -40°C...+125°C |

Material properties

| | |
|------------------------------|--------------------|
| Main material | Aluminium die-cast |
| Colour | RAL 7040 grey |
| RoHs conformity | Compliant |
| China RoHs - EFUP | E |
| REACH SVHC substances | No |

Approvals / Standards

| | |
|-----------------------|---------|
| Certifications | DNV, BV |
| UL | ECBT2 |
| cUL | ECBT8 |

General ordering information

| | |
|-------------------|---------------|
| EAN13 code | 8015747166720 |
| eCl@ss 8.1 | 27440202 |
| ETIM 7.0 | EC000437 |

Packaging Information

| | |
|----------------------------------|-------------------|
| Sub-packaging weight | 0,30 kg |
| Sub-packaging description | Plastic packaging |
| Sub-packaging quantity | 1 Pcs |
| Sub-packaging EAN barcode | 8015747169066 |

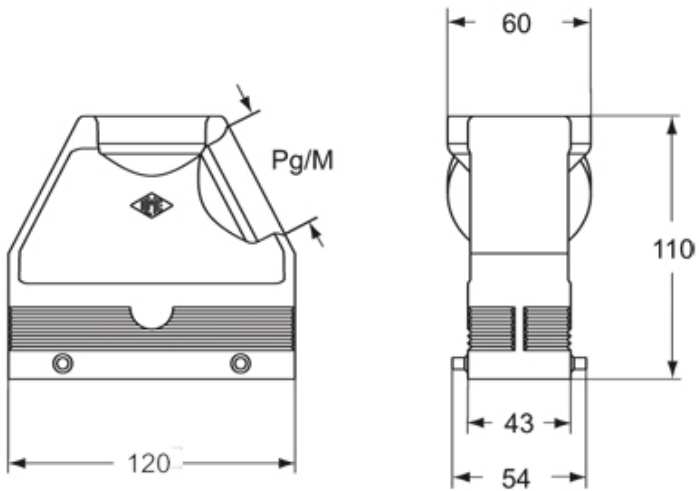
Part number

MIO 24.40



Catalogue drawings

CIO MIO



Notes

Dimensions shown in mm are not binding and may be changed without notice.
