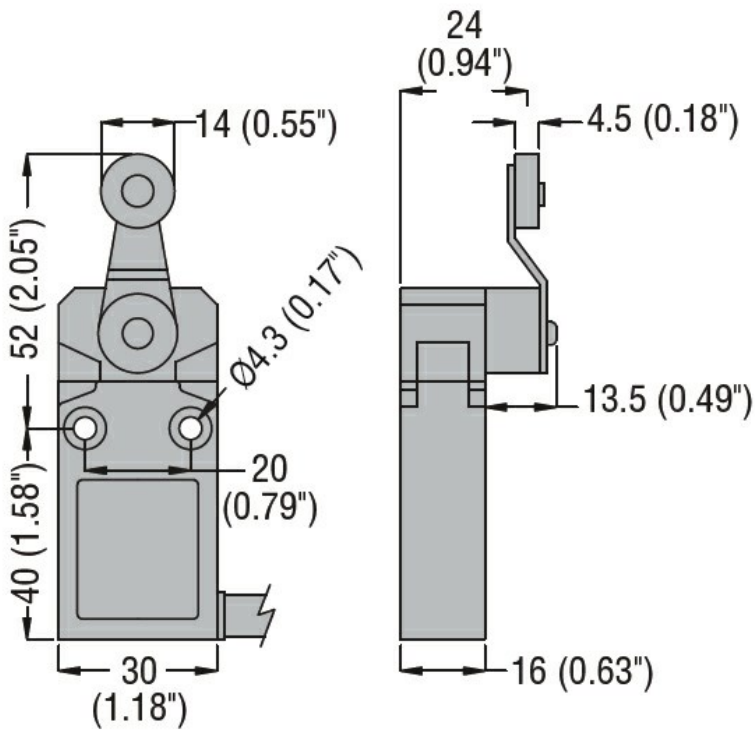


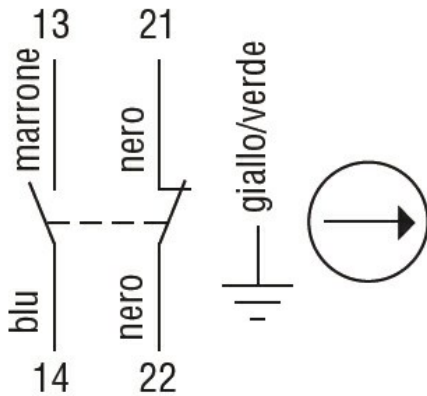


|   |                      |                      |     |
|---|----------------------|----------------------|-----|
| Product designation                                       | Roller lever plunger |                      |     |
| Product type designation                                  | KPE2                 |                      |     |
| <b>General characteristics</b>                            |                      |                      |     |
| Material  | Housing              | Aluminium-zinc alloy |     |
|   | Roller               | Metal                |     |
| <b>Contact characteristics</b>                            |                      |                      |     |
| Type of contact   | 1NO+1NC Slow action  |                      |     |
| Thermal current I <sub>th</sub>                           | A                    | 10                   |     |
| IEC/EN 60947-5-1 designation                              | B300 R300            |                      |     |
| Rated insulation voltage U <sub>i</sub>                   | V                    | 400                  |     |
| Rated impulse withstand voltage U <sub>imp</sub>          | kV                   | 4                    |     |
| Insulation class  | I                    |                      |     |
| IEC Conventional free air thermal current I <sub>th</sub> | A                    | 10                   |     |
| Resistance per pole (average value)                       | mΩ                   | <25                  |     |
| Conductivity  | 10mA 5V              |                      |     |
| <b>Mechanical features</b>                                |                      |                      |     |
| Operating head fixing                                     | Fixed                |                      |     |
| Operating torque  | N                    | 80                   |     |
|   | lb                   | 0.7                  |     |
| Tightening torque (Max)                                   |                      |                      |     |
| Switch fixing   | Nm                   | 2.5                  |     |
|   | lbin                 | 22.1                 |     |
| Weight  | g                    | 336                  |     |
| <b>Operations</b>   |                      |                      |     |
| Mechanical life   | cycles               | >10000000            |     |
| Mechanical operation                                      | cycles/h             | 3600                 |     |
| <b>Ambient conditions</b>                                 |                      |                      |     |
| Temperature   |                      |                      |     |
| Operating temperature                                     | min                  | °C                   | -25 |
|   | max                  | °C                   | +70 |
| Storage temperature                                       | min                  | °C                   | -40 |
|   | max                  | °C                   | +70 |
| <b>Resistance &amp; Protection</b>                        |                      |                      |     |
| IP degree   | Body housing         | IP67                 |     |
| Pollution degree  | 3                    |                      |     |
| <b>Dimensions</b>   |                      |                      |     |



### Wiring diagrams

## Slow action



## 1NO + 1NC

### Certifications and compliance

#### Compliance

CSA C22.2 n° 14.

IEC/EN 60947-1

IEC/EN 60947-5-1

UL508

#### Certificates

cULus

EAC

### ETIM classification

ETIM 8.0

EC000030 - End  
switch