

|   |                   |     |     |  |
|---|-------------------|-----|-----|--|
| Product designation                                       |                   |     |     | Rotary cam switches  |
| Product type designation                                  |                   |     |     | GX32   |
| <b>General characteristics</b>                            |                   |     |     |  |
| Switching diagram   |                   |     |     | 12 - Star-delta motor starter switch   |
| N° of elements  |                   |     |     | 4  |
| Mounting form   |                   |     |     | O88 - Rear mounting with red/yellow handle padlockable in 0, door coupling and protection covers |
| <b>Contact characteristics</b>                            |                   |     |     |  |
| Rated insulation voltage $U_i$                            | IEC/EN            | V   | 690 |  |
|   | UL/CSA            | V   | 600 |  |
| Rated impulse withstand voltage $U_{imp}$                 |                   | kV  | 6   |  |
| Conventional free air thermal current $I_{th}$            | IEC/EN            | A   | 32  |  |
|   | UL/CSA            | A   | 32  |  |
| Rated operational voltage                                 |                   | V   | 440 |  |
| Rated operational impulse voltage                         |                   | kV  | 4   |  |
| Maximum fuse size for short-circuit protection $I_n$ (gG) | 10kA              | A   | 35  |  |
|   | 15kA              | A   | 35  |  |
|   | 25kA              | A   | 35  |  |
| Rated short time current $I_{cw}$                         |                   |     |     |  |
|   |                   | 1s  | A   | 1000   |
| Conductivity  |                   |     |     | 10/5 mA/V  |
| Operational current $I_e$ IEC/EN                          | AC1/AC21A         |     |     |  |
|   |                   |     | A   | 32   |
| AC15  | 110V              | A   | 25  |  |
|   | 220/230V          | A   | 20  |  |
|   | 380/400V          | A   | 10  |  |
|   | 660/690V          | A   | 2   |  |
|   |                   |     |     |  |
| Rated operational power in AC                             | Three-phase AC-3  |     |     |  |
|   | 220/230V          | kW  | 7.5 |  |
|   | 380/440V          | kW  | 11  |  |
|   | 500/690V          | kW  | 11  |  |
|   | Single-phase AC-3 |     |     |  |
|   | 110V              | kW  | 1.8 |  |
| 220/230V  | kW                | 3.5 |     |  |
| 380/440V  | kW                | 5.5 |     |  |
| Three-phase AC23A   | 220/230V          | kW  | 8   |  |
|   | 380/440V          | kW  | 15  |  |
|   | 500/690V          | kW  | 15  |  |
| Single-phase AC23A  |                   |     |     |  |

|  |          |                 |                   |
|--|----------|-----------------|-------------------|
|  | 110V     | kW              | 2.2               |
|  | 220/230V | kW              | 3.5               |
|  | 380/440V | kW              | 6                 |
| <hr/>                                  |          |                 |                   |
| Rated operational current in DC        |          |                 |                   |
| DC21A                                  | 48V      | A               | 32                |
|  | 60V      | A               | 32                |
|  | 110V     | A               | 5                 |
|  | 220V     | A               | 0.8               |
|  | 440V     | A               | 0.25              |
| <hr/>                                  |          |                 |                   |
| DC23A (poles in series)                | 24V      | A               | 32 (1)            |
|  | 48V      | A               | 32 (2)            |
|  | 60V      | A               | 32 (3)            |
|  | 110V     | A               | 15 (3)            |
|  | 220V     | A               | 12 (4)            |
| <hr/>                                  |          |                 |                   |
| DC13                                   | 24V      | A               | 32                |
|  | 48V      | A               | 25                |
|  | 60V      | A               | 14                |
|  | 110V     | A               | 3                 |
|  | 220V     | A               | 0.5               |
|  | 440V     | A               | 0.15              |
| <hr/>                                  |          |                 |                   |
| Power dissipation                      |          | W               | 1.6               |
| <b>Mechanical features</b>             |          |                 |                   |
| Terminals screw                        |          |                 | M4                |
| Tightening torque for terminals max    |          | Nm              | 1.2               |
| <hr/>                                  |          |                 |                   |
| Conductor size                         |          |                 |                   |
| AWG - Rigid cable                      | min      | AWG             | 16                |
|  | Max      | AWG             | 8                 |
| <hr/>                                  |          |                 |                   |
| AWG - Flexible cable                   | min      | AWG             | 16                |
|  | Max      | AWG             | 10                |
| <hr/>                                  |          |                 |                   |
| Conductor size (IEC) - Flexible cable  | min      | mm <sup>2</sup> | 1.5               |
|  | Max      | mm <sup>2</sup> | 6                 |
| <hr/>                                  |          |                 |                   |
| Conductor size (IEC) - Rigid cable     | min      | mm <sup>2</sup> | 1.5               |
|  | Max      | mm <sup>2</sup> | 10                |
| <hr/>                                  |          |                 |                   |
| Mechanical life                        |          | cycles          | 1X10 <sup>6</sup> |
| <b>UL technical data</b>               |          |                 |                   |
| Motor power for direct-on-line control |          |                 |                   |
| for three-phase motor                  | 120V     | HP              | 3                 |
|  | 240V     | HP              | 7.5               |
|  | 480V     | HP              | 15                |
|  | 600V     | HP              | 15                |
| <hr/>                                  |          |                 |                   |
| for single-phase motor                 | 120V     | HP              | 1.5               |
|  | 240V     | HP              | 3                 |
| <hr/>                                  |          |                 |                   |
| <b>Ambient conditions</b>              |          |                 |                   |
| Temperature                            |          |                 |                   |
| Operating temperature                  |          |                 |                   |

|     |    |     |
|-----|----|-----|
| min | °C | -25 |
| max | °C | +55 |

Storage temperature

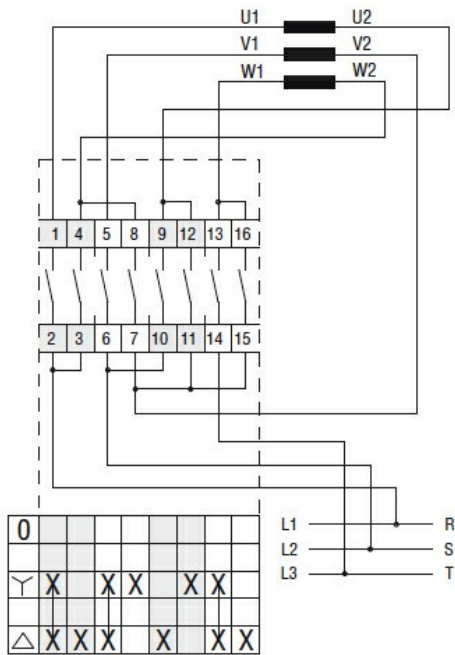
|     |    |     |
|-----|----|-----|
| min | °C | -40 |
| max | °C | +70 |

**Resistance & Protection**

|                     |      |
|---------------------|------|
| Frontal IP degree   | IP65 |
| Terminals IP degree | IP20 |

**Dimensions**

**Wiring diagrams**



**Certifications and compliance**

**Compliance**

- CSA C22.2 n° 14
- IEC/EN/BS 60947-1
- IEC/EN/BS 60947-3
- IEC/EN/BS 60947-5-1
- IEC/EN/BS 61058-1
- UL60947-4-1

**Certificates**

- cULus
- EAC

**ETIM classification**

ETIM 8.0

EC001029 -  
Selector switch,  
complete