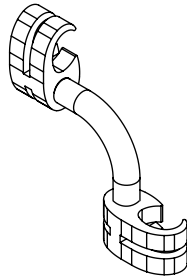
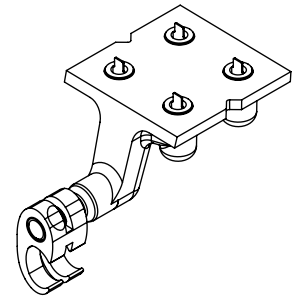


GCE

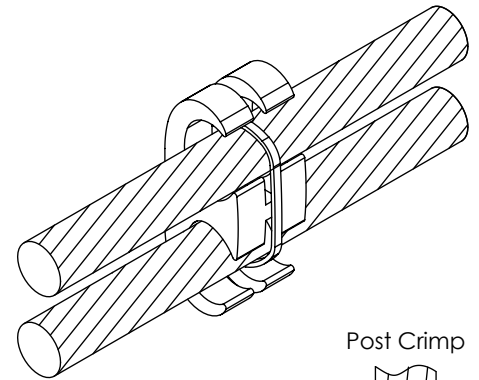
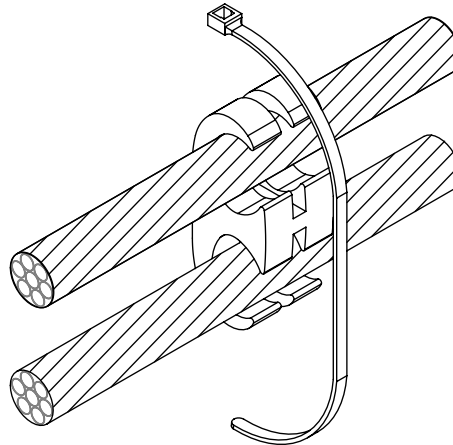
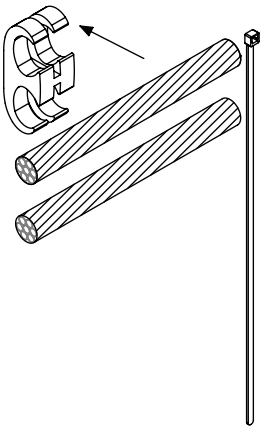


GCC6X6

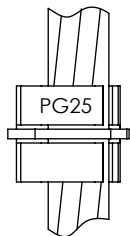


GPC

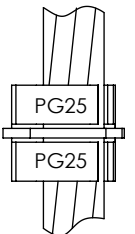
### Views using Cable Ties



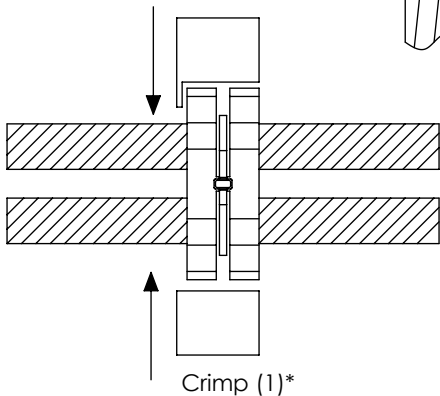
Post Crimp



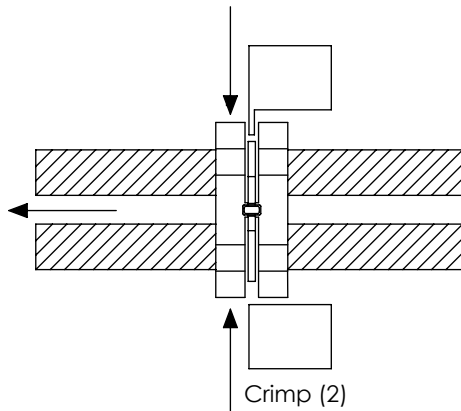
Post Crimp



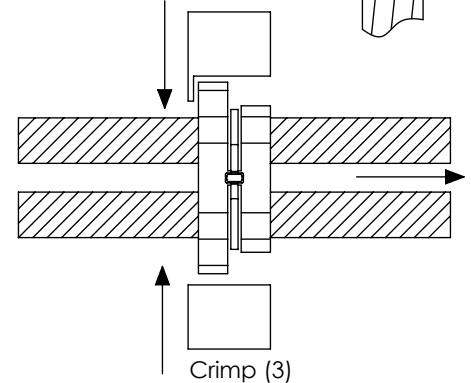
### Crimping Views



Crimp (1)\*



Crimp (2)



Crimp (3)

Crimp Tools: CT-920, CT-920CH, CT-2931  
CT-940CH/BJO

For full list of crimp tools go too [www.panduit.com](http://www.panduit.com).

**Warning: Do not use with CT-940CH or CT-2940/ST or damage to crimp tool may result.**

one crimp exceeds:



**DB  
RATED**



3 crimps meets



\*One crimp meets IEEE 837 for part numbers GCE1/0-1/0 and GCE6X61/0-1/0.

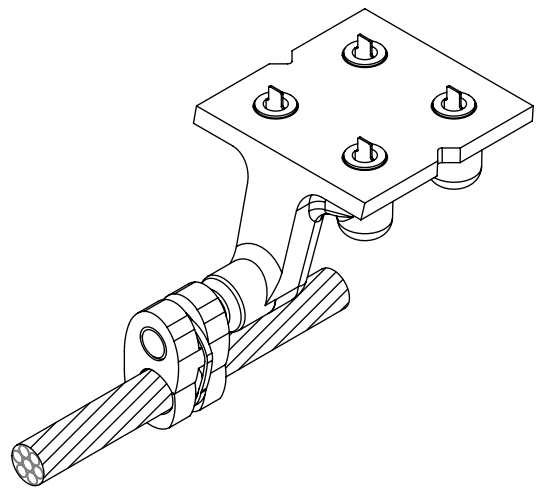
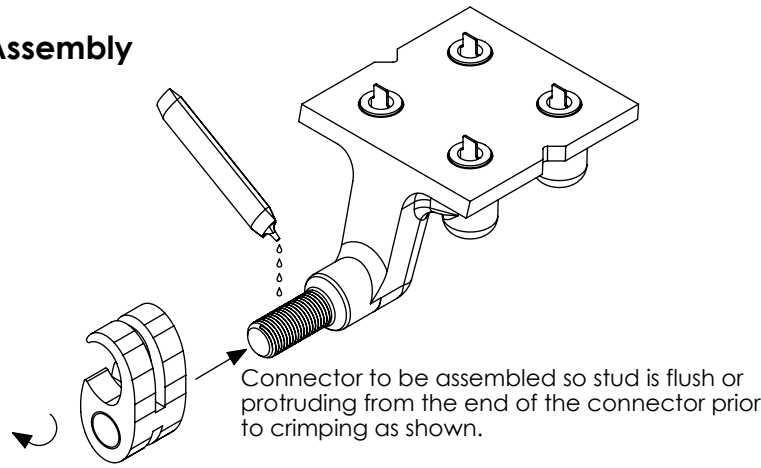
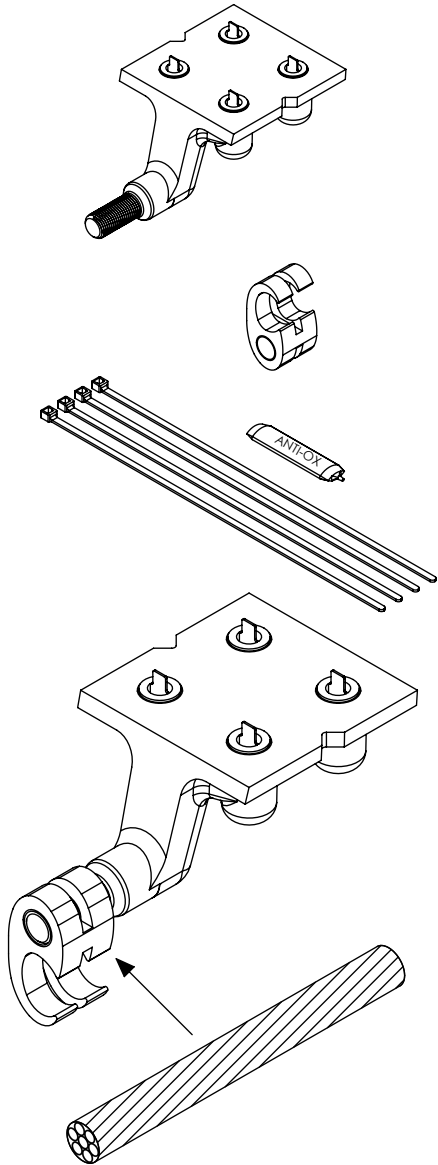
\*\*IEEE837 - 2014: GCE500-250 and GCE250-250 for wire to wire terminations larger than 2/0 AWG requires two connectors with 1.5" spacing between connectors unless connecting to a ground rod or rebar.

GCC6X6250-250 max wire size limited to 2/0 AWG on one of the connector elements.

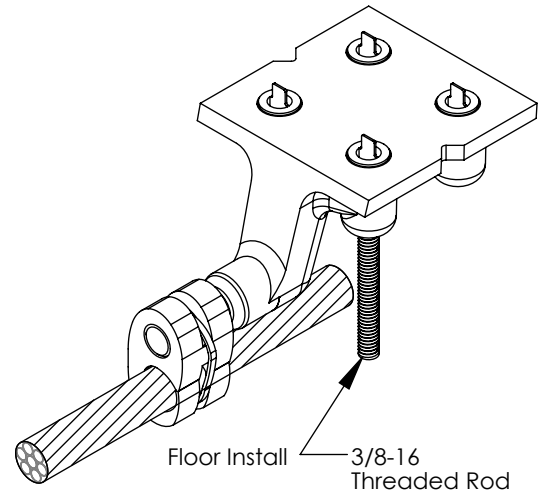
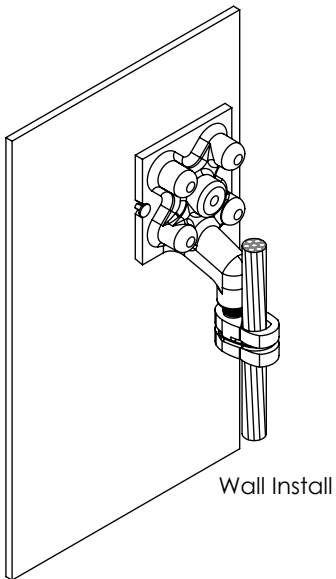
GCC6X6500-250 max wire size limited to 2/0 awg on connector element B

\*\*\* GCE500-500 is only with 3 crimps

**Ground Plate Assembly**



**Ground Plate Views**



Note: Factory installed anti-oxidant may discolor over time, but product performance is not diminished. Remove all non-conductive material from mating surfaces prior to installation.

**For Instructions in Local Languages and Technical Support:**

[www.panduit.com/resources/install\\_maintain.asp](http://www.panduit.com/resources/install_maintain.asp)



[www.panduit.com](http://www.panduit.com)

E-mail: [cs@panduit.com](mailto:cs@panduit.com)

Fax: 708-444-6993