



Product designation

Direct-on-line  
starter

Product type designation

M0P00912...1

**Electrical features**

Relay adj range	A	0.6-1	
IEC technical characteristics ( $\leq 440V$ )	le kW	A kW	1 0.18...0.25

**Components**

Starter enclosure standard supplied	M0PA
Contactor standard supplied	BG0910A
Thermal relay standard supplied	RF91

**UL technical data**

Maximum UL/CSA horsepower ratings three-phase, 3-pole	440V-480V	HP	0.75
	550V-600V	HP	0.5

**Mechanical features**

Weight	g	760
--------	---	-----

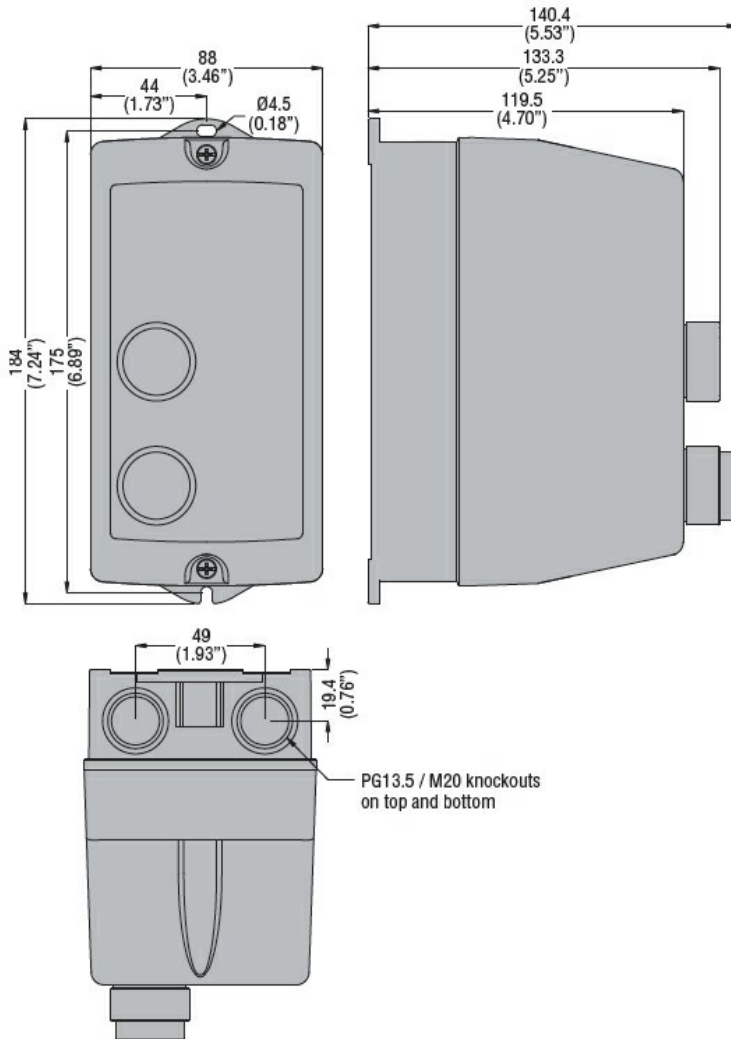
**Ambient conditions**

Operating temperature	min	°C	-25
	max	°C	+60
Storage temperature	min	°C	-40
	max	°C	+70

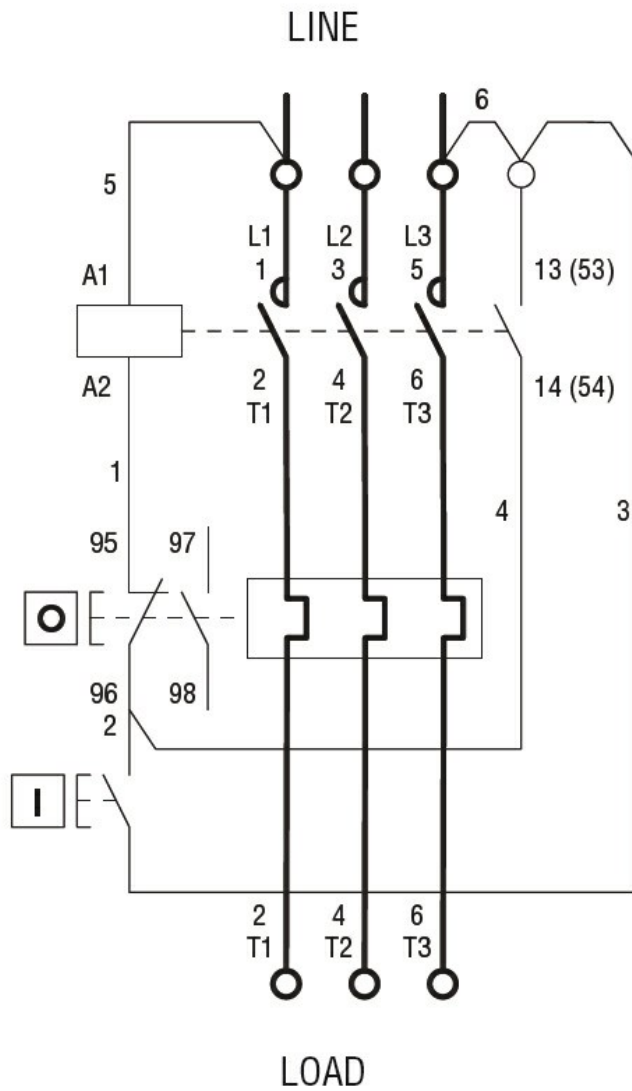
**Resistance & Protection**

Frontal IP degree	IP65
-------------------	------

**Dimensions**



Wiring diagrams



I = Start; O = Stop/Reset

### Certifications and compliance

#### Compliance

IEC/EN 60947-1  
IEC/EN 60947-4-1  
UL508 CSA C22.2 n° 14

#### Certificates

CSAus  
cULus  
EAC

### ETIM classification

ETIM 8.0

EC001037 -  
Motor  
starter/Motor  
starter  
combination