
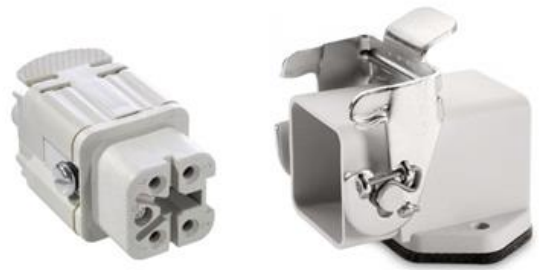


| | | |
|---------------------------|-------------------------------|---|
| 75009619 | DATA SHEET |  |
| Valid from: 11.01.2019 | EPIC® KIT H-A 4 BS AGS | |

Description

- H-A inserts, easy to service, with screw termination up to 2.5 mm² wire cross section
- The small H-A is used whenever there is minimal space
- Easy cable connection with strait cable entry in the contacts.
- Optimally matched components
- Reduced ordering effort
- No wrong orders



Components of the combination

| | |
|-----------------------------------|----------------------|
| Article number of the combination | 75009619 |
| Housing | H-A 3 Ags (10423000) |
| Insert | H-A 4 BS (10432000) |

General characteristics

| | |
|--|---|
| Series | H-A 4 |
| Version | Female |
| Connection type | Screw termination |
| Pin-arrangement | 4 + PE |
| Contact diameter | 1 mm |
| Termination cross section | Screw termination: 0,5 – 2,5 mm ² (2,5 mm ² with wire end sleeve, depending on crimp profile) |
| Degree of protection (DIN EN 60529) | IP 65 (latched) |
| Degree of protection (NEMA 250/UL 50E) | 12, 4 (latched) |
| Cycles of mechanical operation | 100 |
| Temperature range | -40°C to +125°C, short term up to +125 |

Materials and surfaces


| | |
|------------------------|--------------|
| Housing | PA |
| Insert | PA |
| Contact, base material | Copper alloy |
| Contact, surface | Hard-silver |

Electrical characteristics

| | |
|-----------------------|--------------|
| Rated Voltage, IEC | 400 V |
| Rated Voltage, UL | 600 V |
| Rated Voltage, CSA | 600 V |
| Rated Impulse Voltage | 4 kV |
| Rated Current, IEC | 23 A |
| Rated Current, UL | 10 A |
| Rated Current, CSA | 10 A |
| Contact Resistance | 1,5 - 4 mOhm |
| Degree of Soiling | 3 |

Approvals

| | | |
|---|---------------------------------------|-------------|
| Creator: JOKR1/PDP Released: IVSE1/PDP | Document: DB75009619EN Version: 01 | Page 1 of 3 |
|---|---------------------------------------|-------------|

| | | |
|---------------------------|-------------------------------|---|
| 75009619 | DATA SHEET |  |
| Valid from: 11.01.2019 | EPIC® KIT H-A 4 BS AGS | |

VDE-Approval, VDE-REG.-Nr.
UL File Number
CSA File Number

B437
E75770
053004



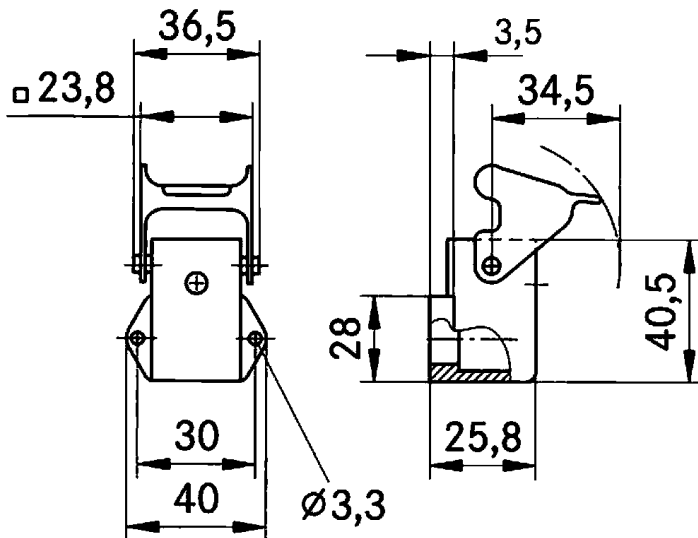
Standards

Safety Standard

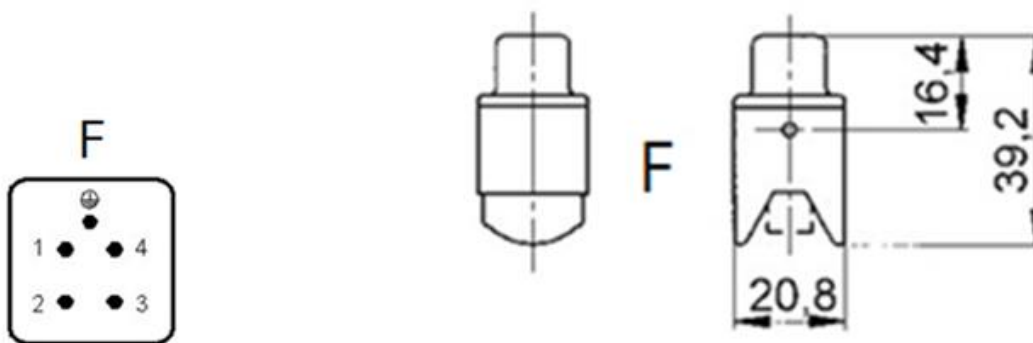
IEC 61984; UL 1977; CSA-C22.02

Technical Drawings


Housing



Insert



| | | |
|---|---------------------------------------|-------------|
| Creator: JOKR1/PDP Released: IVSE1/PDP | Document: DB75009619EN Version: 01 | Page 2 of 3 |
|---|---------------------------------------|-------------|

| | | |
|---------------------------|-------------------------------|---|
| 75009619 | DATA SHEET |  |
| Valid from: 11.01.2019 | EPIC® KIT H-A 4 BS AGS | |



Industrial machinery and plant engineering



Mechanical resistance



Robust



Waterproof



Assembly time



Space requirement

Info

Compact, robust metal housings size H-A 3
 Robust power supply connector
 Straight cable entry into the contacts

Application range

Machine and equipment manufacturing
 Control engineering
 Electronic laboratory

Remark

Photographs are not to scale and do not represent detailed images of the respective products.

| | | |
|---|---------------------------------------|-------------|
| Creator: JOKR1/PDP Released: IVSE1/PDP | Document: DB75009619EN Version: 01 | Page 3 of 3 |
|---|---------------------------------------|-------------|