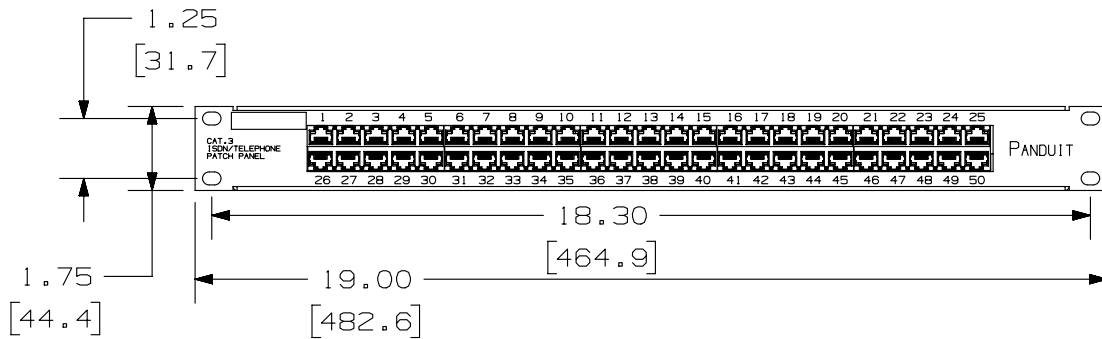
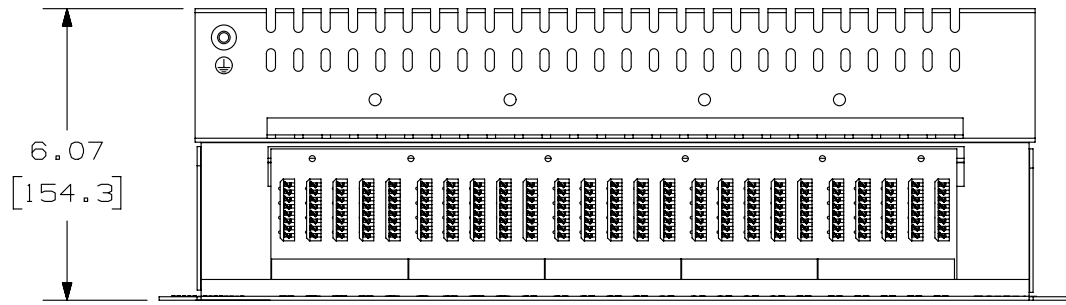
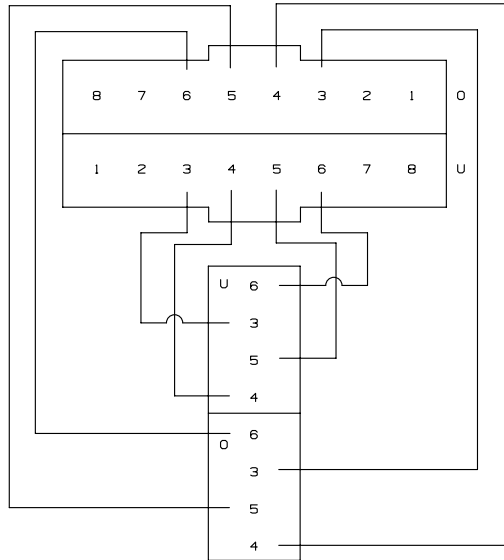


THIS COPY IS PROVIDED ON A RESTRICTED BASIS AND IS NOT TO BE USED IN ANY WAY DETRIMENTAL TO THE INTERESTS OF PANDUIT CORP.



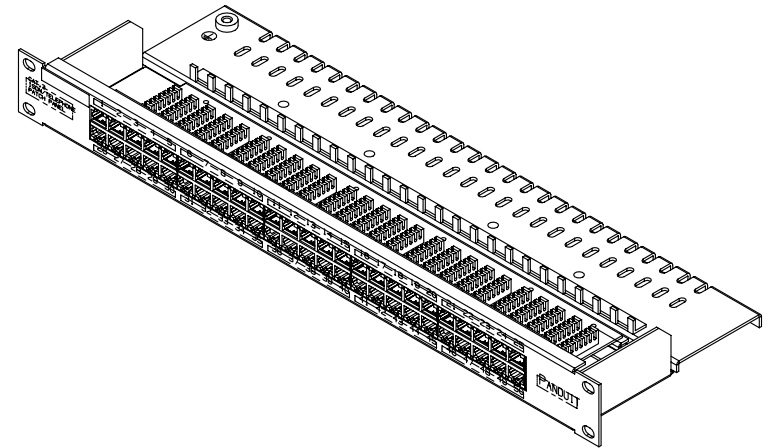
PORT WIRING SCHEME



PANDUIT P/N	WEIGHT
VP50384K**Y	3.46 LB/EACH PC (1567.9 g/EACH PC)

NOTES:

1. SEE CURRENT CATALOG FOR ADDITIONAL PART NUMBER SUFFIXES TO INDICATE COLOR AND OR PACKAGE QUANTITY.
2. SEE CATALOG FOR COMPLETE LIST OF PARTS APPLICABLE FOR USE WITH THIS PART.
3. DIMENSIONS IN PARENTHESES ARE IN METRIC.
4. PANEL MANUFACTURED WITH KRONE-STYLE PUNCHDOWN BLOCKS. A KRONE-STYLE PUNCHDOWN TOOL IS REQUIRED.



PART NUMBER		VP50384K**Y	
TITLE			
50 PORT ISDN/TELEPHONE PATCH PANEL		CUSTOMER DRAWING	
ITEM REVISION NAME		M02479PA/00	
DATASET FILE NAME		M02479PA_DC364/00B	
UNLESS OTHERWISE SPECIFIED, DIMENSIONAL TOLERANCES ARE: IN [ mm ]		MATERIAL:	
.x ± .xxx ± .010 [ .3 ]		<b>PANDUIT</b>	
.xx ± .03 [ .8 ] ANGLES ±			
DRAWN BY		DRAWING NUMBER:	
DATE		02479-364	
CHK		SHT 1 OF 1	
SCALE		A	
THIRD ANGLE PROJECTION			

REV	DATE	BY	CHK	APR	DESCRIPTION	ECN
1	5-23-14	MDJR	REFR	EJH	A. UPDATED TITLE BLOCK.	02479-364
R	7-07-08	MDJR	CEF	CEF	RELEASED TO PRODUCTION	02479-364

D10100DA/14