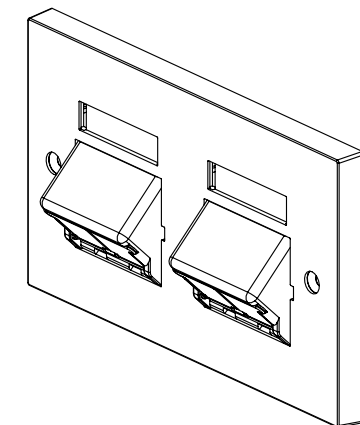
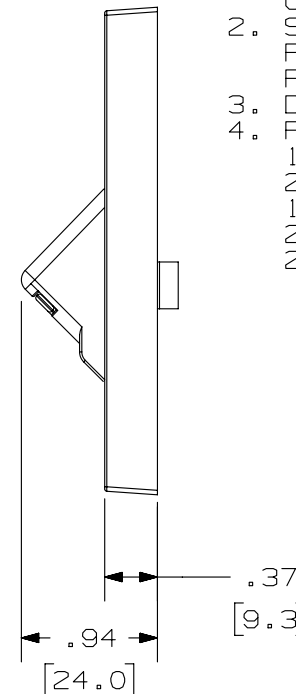
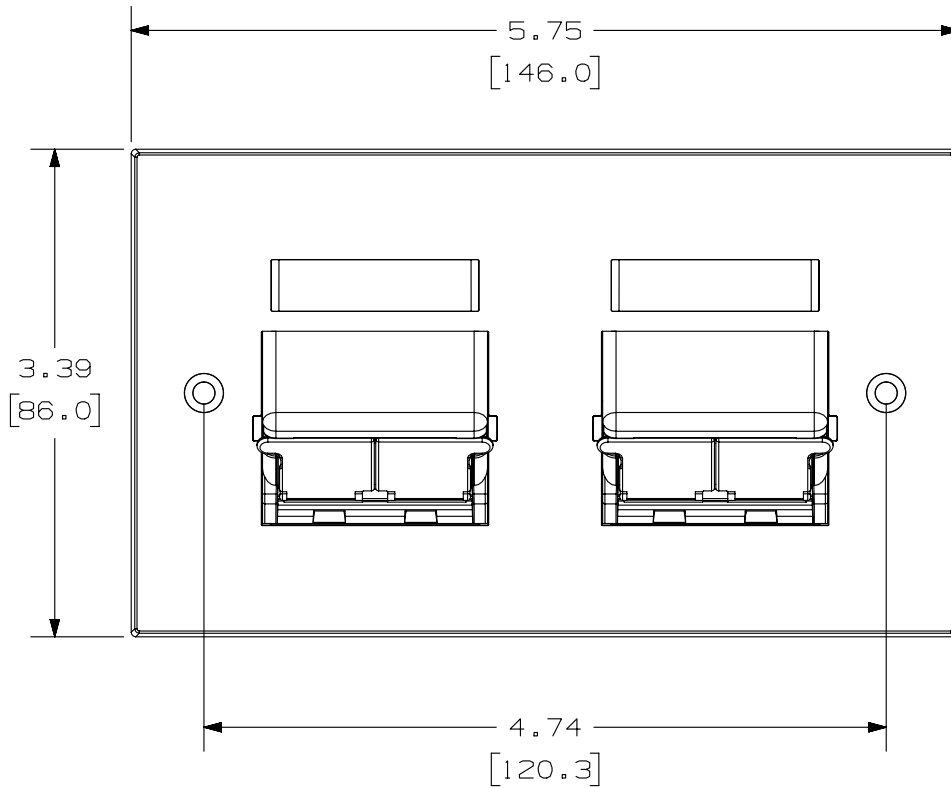


THIS COPY IS PROVIDED ON A RESTRICTED BASIS AND IS NOT TO BE USED IN ANY WAY DETRIMENTAL TO THE INTERESTS OF PANDUIT CORP.



PANDUIT P/N	WEIGHT
CFPUKS4S**-2GY	.97 LB/10 PCS (439.9 g/10 PCS)

- NOTES:
- SEE CURRENT CATALOG FOR ADDITIONAL PART NUMBER SUFFIXES TO INDICATE COLOR AND OR PACKAGE QUANTITY.
 - SEE CATALOG FOR COMPLETE LIST OF PARTS APPLICABLE FOR USE WITH THIS PART.
 - DIMENSIONS IN [] ARE IN METRIC.
 - PART INCLUDES:
 - 1- CBUK**-2GY BEZEL
 - 2- CHS2S** SHUTTERED INSERT
 - 1- SCREW KIT (CONTAINS (2) SCREWS)
 - 2- LABEL
 - 2- LABEL COVER

PART NUMBER		CFPUKS4S**-2GY	
TITLE			
MINI-COM 4 POSITION SLOPED SHUTTERED 146mm X 86mm U.K. DOUBLE GANG FACEPLATE KIT			
CUSTOMER DRAWING			
ITEM REVISION NAME		M02479GA/02	
DATASET FILE NAME		M02479GA_DC159/00B	
UNLESS OTHERWISE SPECIFIED, DIMENSIONAL TOLERANCES ARE: IN [mm]		MATERIAL:	
.x ± .xx ± .03 [.8]		ABS	
.xxx ± .010 [.3]		DRAWING NUMBER:	
ANGLES ±		02479-159	
THIRD ANGLE PROJECTION		SHT 1 OF 1	
DRAWN BY	DATE	CHK	SCALE
JSP	5-3-06	MJD	NONE
REV	DATE	BY	CHK
1	4/22/14	JSP	REFR
2	5-3-06	JSP	MJD

REV	DATE	BY	CHK	APR	DESCRIPTION	ECN
1	4/22/14	JSP	REFR	MMR	A. REVISED DRAWING TITLE BLOCK.	02479-159
R	5-3-06	JSP	MJD	MJD	RELEASED TO PRODUCTION	02479-159

D10100DA/14