

# LL3-DH072000

LL3

FIBERS

**SICK**  
Sensor Intelligence.



### Ordering information

Type	Part no.
LL3-DH072000	5342745

Other models and accessories → [www.sick.com/LL3](http://www.sick.com/LL3)

### Detailed technical data

#### Features

<b>Device type</b>	Fibers
<b>Functional principle</b>	Proximity system
<b>For fiber-optic sensor</b>	GLL170(T), WLL180, WLL80
<b>Fiber length</b>	2,000 mm
<b>Fiber material</b>	Glass
<b>Jacket material</b>	Stainless steel
<b>Fiber head material</b>	Copper-zinc alloy (CuZn)
<b>Outer diameter, fiber-optic cable connection</b>	2.2 mm
<b>Thread diameter (housing)</b>	M4
<b>Fiber-optic head design</b>	Threaded sleeve
<b>Fiber arrangement</b>	Coaxial arrangement
<b>Core structure</b>	S: 440 x Ø 50 µm R: 440 x Ø 50 µm Coaxial arrangement
<b>Angle of dispersion &lt; 60°</b>	No
<b>Compatibility with infrared light (1,450 nm)</b>	Yes <sup>1)</sup>
<b>Application</b>	Heat-resistant (≥100 °C)
<b>Diameter/thread size from 2 mm taper</b>	≥ 3 mm
<b>Length of taper</b>	≥ 5 mm
<b>Highly flexible/elastic fibers (bend radius 1–4 mm)</b>	No
<b>Adapter end sleeves required</b>	No
<b>Angle of dispersion</b>	60°
<b>Integrated lens</b>	No
<b>Minimal object diameter</b>	0.02 mm <sup>2)</sup>
<b>Included with delivery</b>	Mounting, 2 x M4 hexagon nut, 1 x washer
<b>Compatibility tip adapters</b>	Yes

<sup>1)</sup> Reduced sensing ranges possible when using a fiber-optic amplifier with infrared light.

<sup>2)</sup> Minimum detectable object was determined at optimum measuring distance and optimum setting.

#### Mechanics/electronics

<b>Bend radius, fibre-optic cable</b>	25 mm
<b>Ambient operating temperature</b>	-60 °C ... +200 °C

## Classifications

<b>ECLASS 5.0</b>	27270905
<b>ECLASS 5.1.4</b>	27270905
<b>ECLASS 6.0</b>	27270905
<b>ECLASS 6.2</b>	27270905
<b>ECLASS 7.0</b>	27270905
<b>ECLASS 8.0</b>	27270905
<b>ECLASS 8.1</b>	27270905
<b>ECLASS 9.0</b>	27270905
<b>ECLASS 10.0</b>	27270905
<b>ECLASS 11.0</b>	27270905
<b>ECLASS 12.0</b>	27270905
<b>ETIM 5.0</b>	EC002651
<b>ETIM 6.0</b>	EC002651
<b>ETIM 7.0</b>	EC002651
<b>ETIM 8.0</b>	EC002651
<b>UNSPSC 16.0901</b>	39121528

## Sensing ranges with WLL80

<b>Operating mode 16 <math>\mu</math>s</b>	105 mm
<b>Operating mode 70 <math>\mu</math>s</b>	280 mm
<b>Operating mode 250 <math>\mu</math>s</b>	460 mm
<b>Operating mode 500 <math>\mu</math>s</b>	535 mm
<b>Operating mode 1 ms</b>	600 mm
<b>Operating mode 2 ms</b>	730 mm
<b>Operating mode 8 ms</b>	980 mm

## Sensing ranges with WLL180T

<b>Operating mode 16 <math>\mu</math>s</b>	55 mm
<b>Operating mode 70 <math>\mu</math>s</b>	210 mm
<b>Operating mode 250 <math>\mu</math>s</b>	430 mm
<b>Operating mode 2 ms</b>	730 mm
<b>Operating mode 8 ms</b>	960 mm
<b>Note</b>	Sensing ranges related to fiber-optic sensors with type of light: visible red light

## Sensing ranges with GLL170

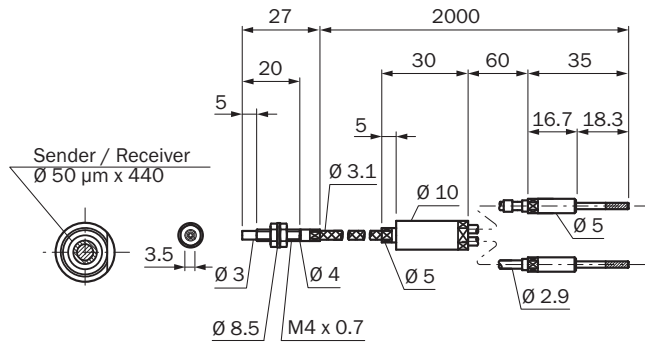
<b>Operating mode 250 <math>\mu</math>s</b>	180 mm
---	--------

## Sensing ranges with GLL170T

<b>Operating mode 50 <math>\mu</math>s</b>	150 mm
<b>Operating mode 250 <math>\mu</math>s</b>	440 mm

### Dimensional drawing (Dimensions in mm (inch))

LL3-DH072000



## SICK AT A GLANCE

SICK is one of the leading manufacturers of intelligent sensors and sensor solutions for industrial applications. A unique range of products and services creates the perfect basis for controlling processes securely and efficiently, protecting individuals from accidents and preventing damage to the environment.

We have extensive experience in a wide range of industries and understand their processes and requirements. With intelligent sensors, we can deliver exactly what our customers need. In application centers in Europe, Asia and North America, system solutions are tested and optimized in accordance with customer specifications. All this makes us a reliable supplier and development partner.

Comprehensive services complete our offering: SICK LifeTime Services provide support throughout the machine life cycle and ensure safety and productivity.

For us, that is “Sensor Intelligence.”

## WORLDWIDE PRESENCE:

Contacts and other locations –[www.sick.com](http://www.sick.com)