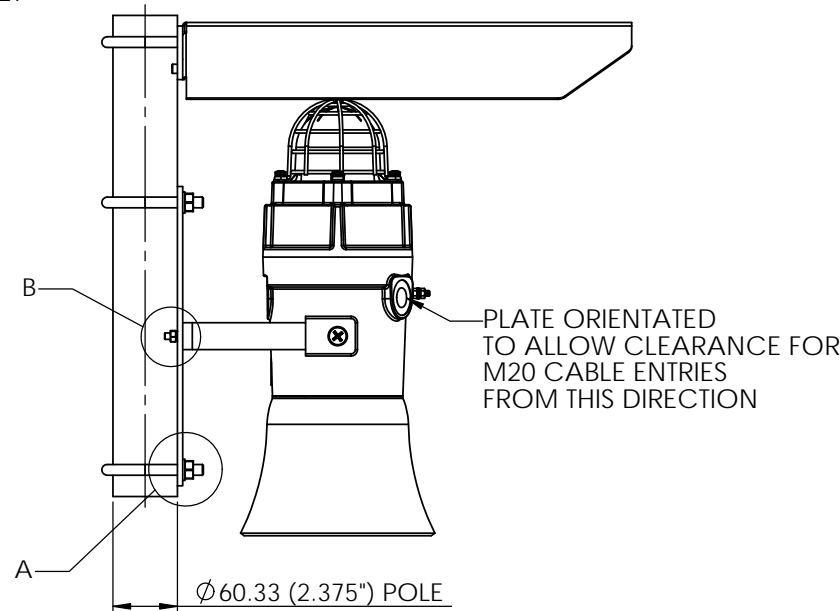
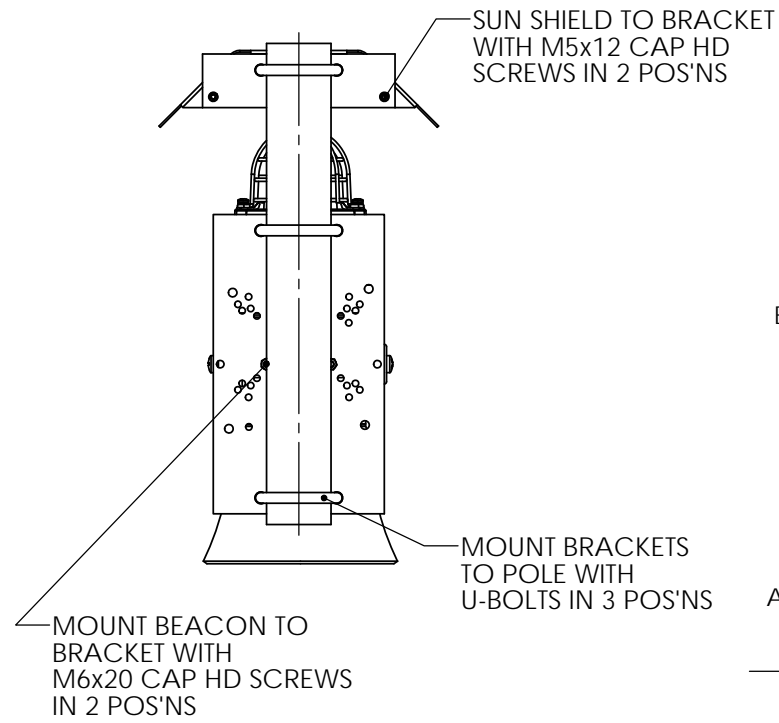
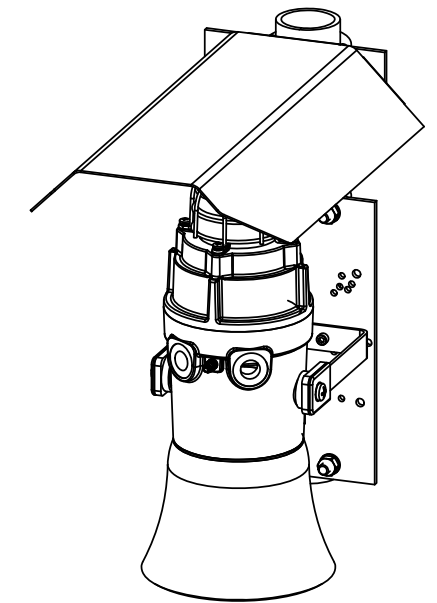
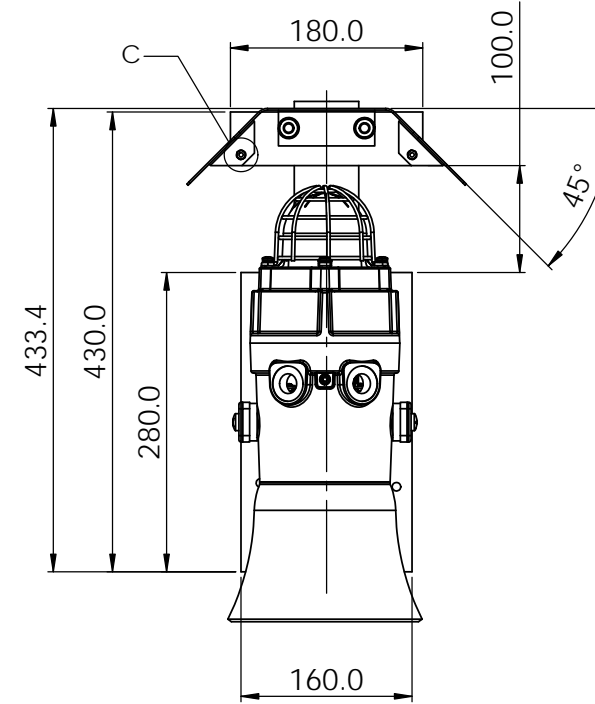
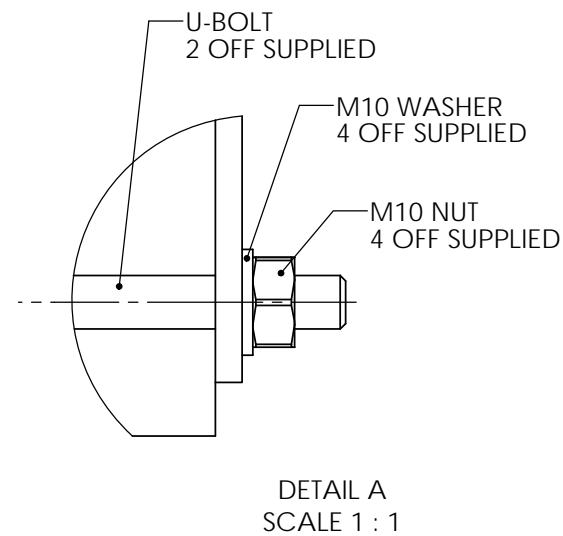
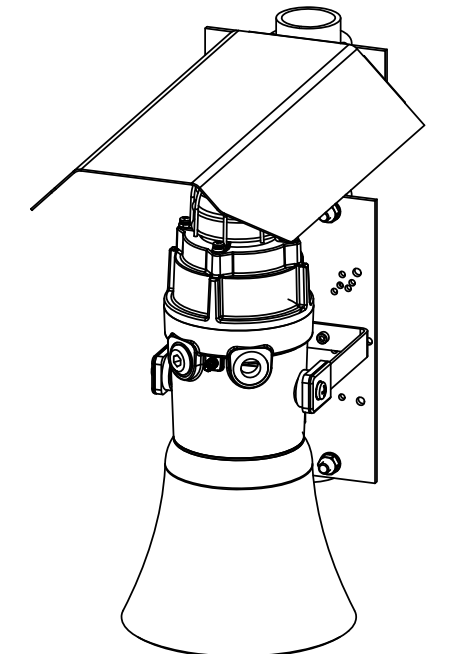
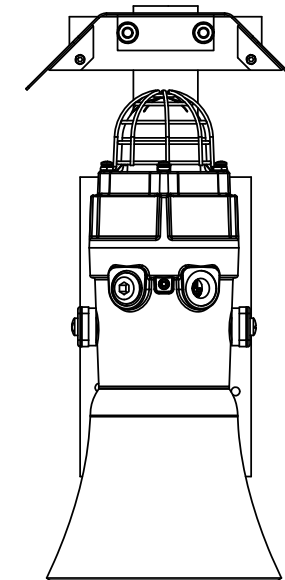
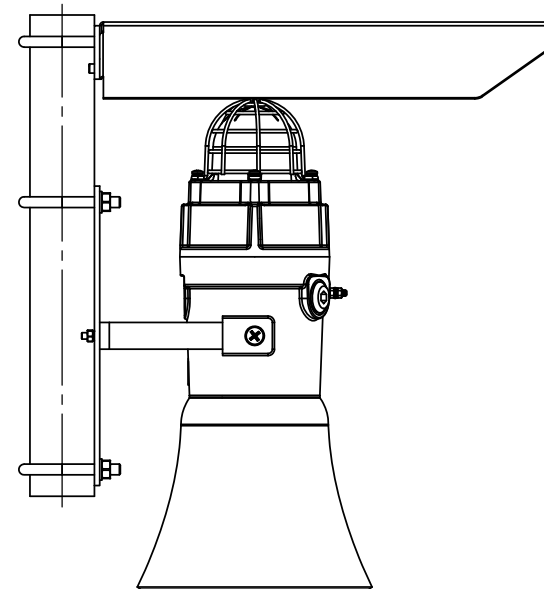


D1xC1 COMBINED SOUNDER BEACON



D1xC2 COMBINED SOUNDER BEACON



Part Codes:	Description:
SP65-0001-A2	Pole Mount Bracket Kit 2" St/St A2 (304)
SP65-0001-A4	Pole Mount Bracket Kit 2" St/St A4 (316)
SP65-0003-A2	Sunshade - St/St A2 (304)
SP65-0003-A4	Sunshade - St/St A4 (316)

DRAWING TO BS8888:2000 GEOMETRIC TOLERANCES TO ISO1101:1983 LINEAR DIMENSIONAL TOLS ANGULAR DIMENSIONAL TOLS	DRAWN M.VYAS	DATE 08/01/18	SURFACE FINISH	WEIGHT (Kg)	THIS DRAWING AND ANY INFORMATION OR DESCRIPTIVE MATTER THEREIN IS COMMUNICATED IN CONFIDENCE AND IS THE COPYRIGHT PROPERTY OF EUROPEAN SAFETY SYSTEMS LTD. NEITHER THE WHOLE OR ANY EXTRACT MAY BE DISCLOSED, LOANED, COPIED OR USED FOR MANUFACTURING OR TENDERING PURPOSES WITHOUT THEIR WRITTEN CONSENT.	 EUROPEAN SAFETY SYSTEMS LTD IMPRESS HOUSE MANSELL ROAD ACTON LONDON W3 7QH WWW.E2S.COM	ALL DIMENSIONS IN MM IF IN DOUBT, ASK - DO NOT SCALE		A2
	CHECKED R.N.POTTS	DATE 08/01/18							
STANDARDS	APPROVED R.N.POTTS	DATE 08/01/18	ALTERNATIVE MATERIAL	EUROPEAN SAFETY SYSTEMS LTD. AS PER LATEST DATE OF ISSUE SHOWN ABOVE	TITLE DN 50mm (NPS 2") POLE & SUN SCREEN D1xC1 / D1xC2 COMBINED HORN & BEACON	SCALE 1:5	SHEET 1 OF 1	DRAWING NUMBER D217-05-661	