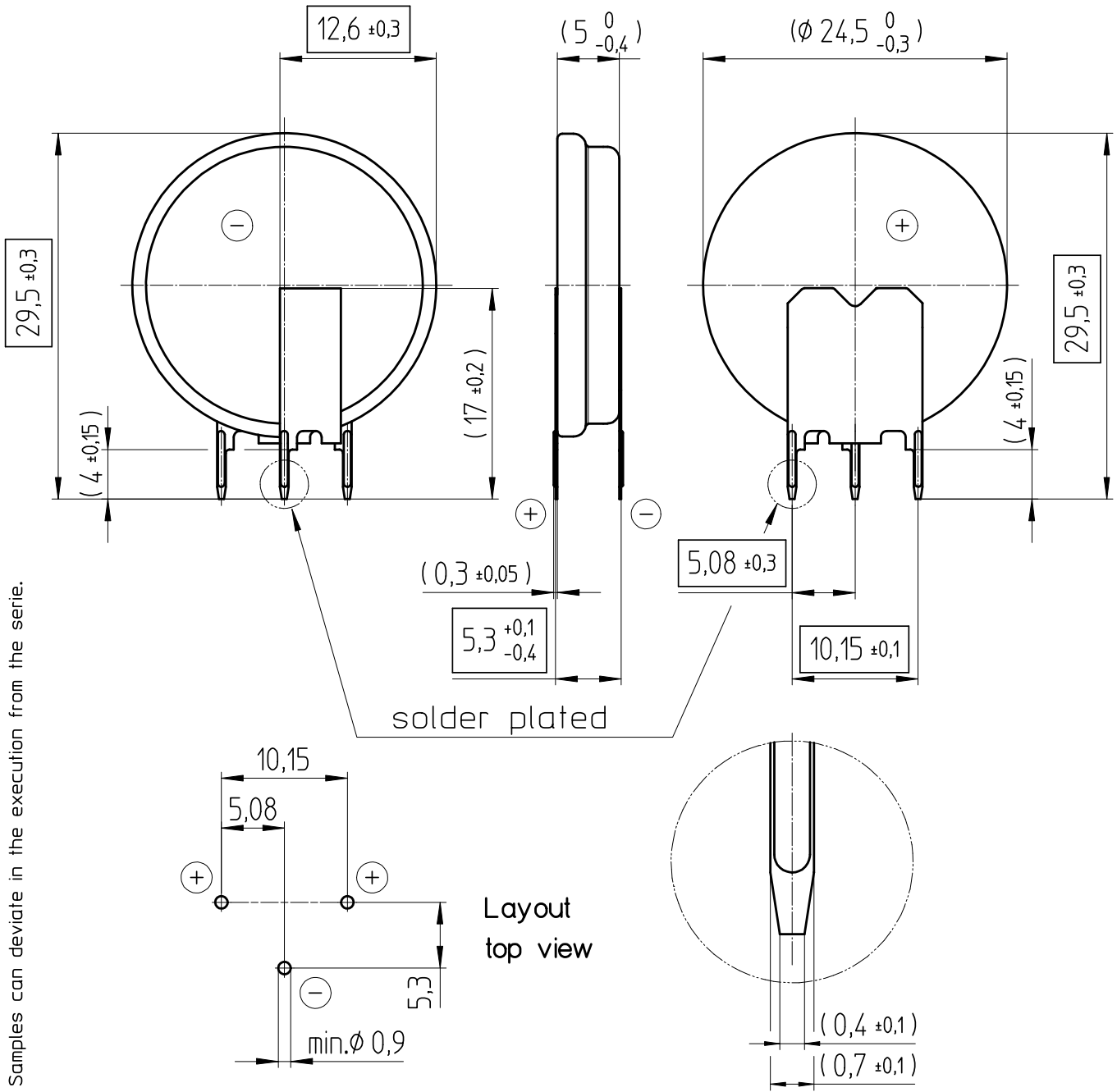


- Samples can deviate in the execution from the serie.

- Dimensions and tolerances can be specified only after the testing of the devices for the mass production definitely



Tab material: Stainless steel

All framed values will be used for dimension checking !

Rev.	○		Rev.	○			Customer's Approval		
Rev.	○		Rev.	○			Date		
Rev.	○		Rev.	○			Signature		
Titel:						Scale 2:1	Drawn	06.01.05	SRi
CR2450NRV-LF							Checked	07.02.05	MHo
							Approved		
						CH-4452 Itingen Switzerland		3.8737.4-	