



Product designation

Undervoltage trip release

Product type designation

P1X14230

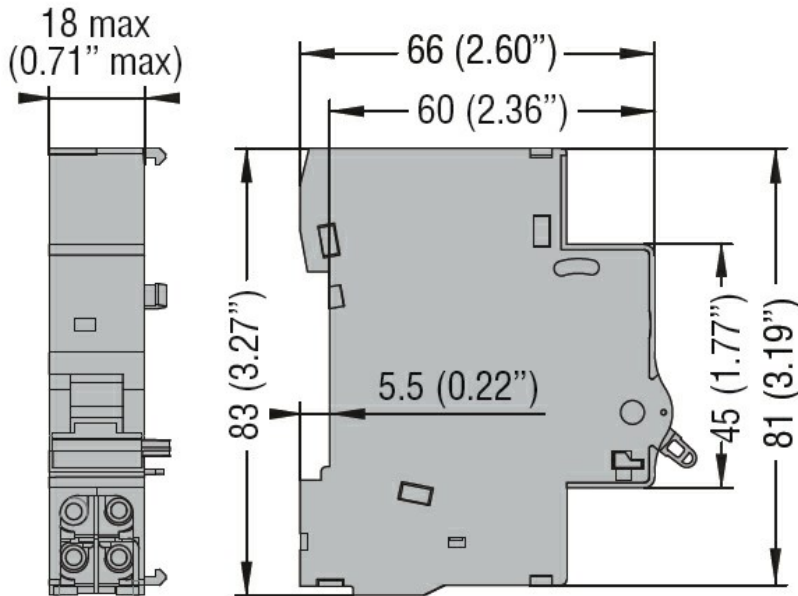
**Electrical features**

Rated impulse withstand voltage $U_{imp}$	kV	4
Rated operational voltage AC (IEC)	VAC	230
Rated frequency	Hz	50/60

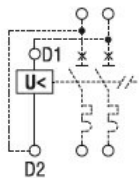
**Mechanical features**

Weight	g	70
--------	---	----

**Dimensions**



**Wiring diagrams**



**Certifications and compliance**

Compliance

IEC/EN 60947-5-1. UR "UL Recognized" per Canada e USA.

Certifications

EAC

**ETIM classification**

ETIM 8.0

EC001022 -  
Under voltage  
coil