

THIS COPY IS PROVIDED ON A RESTRICTED BASIS AND IS NOT TO BE USED IN ANY WAY DETRIMENTAL TO THE INTERESTS OF PANDUIT CORP.

PANDUIT P/N	WEIGHT
CCL	1.0 LBS/EACH .45 Kg/EACH

NOTES:

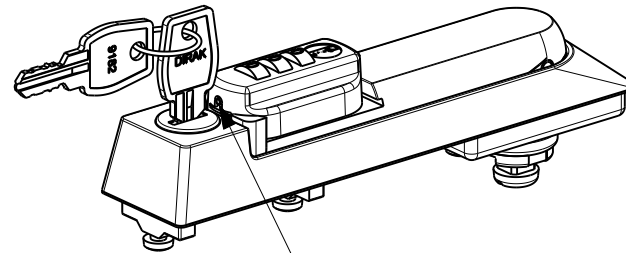
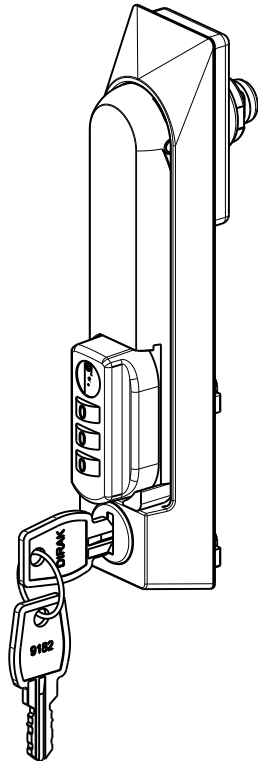
- VISIT OUR ON-LINE CATALOG AT WWW.PANDUIT.COM FOR A LIST OF CURRENT PARTS APPLICABLE FOR USE WITH THIS PRODUCT.
- DIMENSIONS IN PARENTHESES ARE METRIC (mm).
- PARTS SUPPLIED:
1 - SWINGHANDLE WITH COMBINATION LOCK AND A SET OF KEYS
- 1000 COMBINATION CHOICES
- COMBINATION LOCK WILL WORK WITH:

NET-ACCESS:

- DUAL HINGE DOOR
- SINGLE HINGE DOOR
- SPLIT DOORS
- SOLID SPLIT DOORS

NET-SERV:

- SINGLE HINGE DOOR
- SOLID SINGLE HINGE DOOR
- SPLIT DOORS



RE-SET
BUTTON

MODEL FILENAME	11V214ZP/00.PRT
CAD FILENAME/LAYERS	11V214ZP_DC/00A.PRT

PANDUIT CORP. TINLEY PARK, ILLINOIS

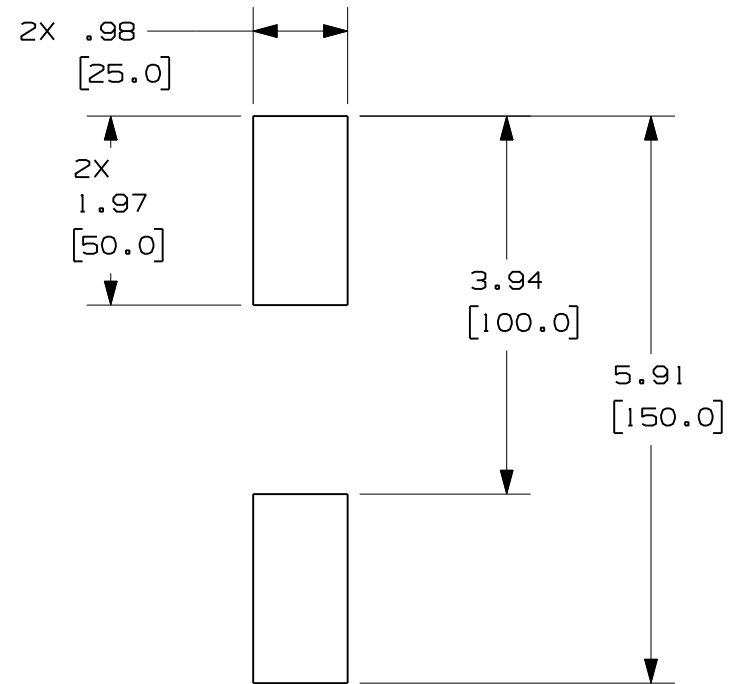
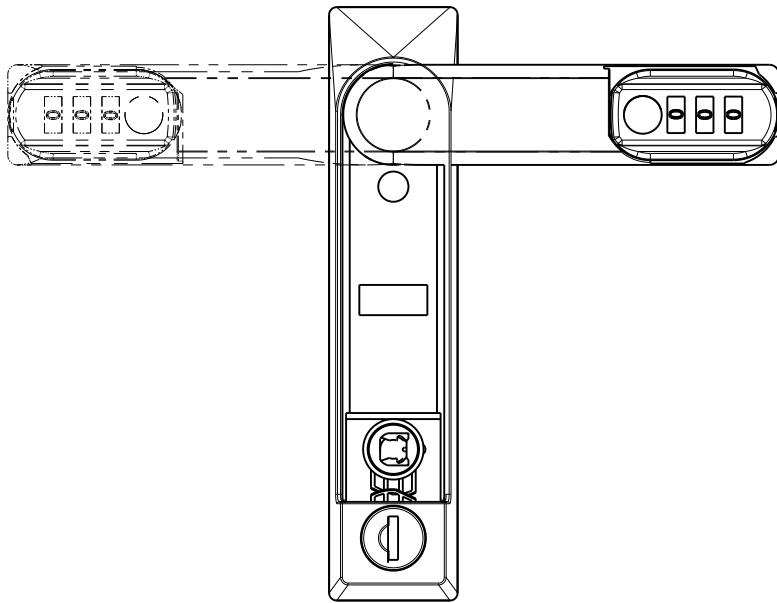
SWINGHANDLE WITH COMBINATION LOCK (CCL)
CUSTOMER DRAWING

UNLESS OTHERWISE SPECIFIED, DIMENSIONAL TOLERANCES ARE:	UNLESS OTHERWISE SPECIFIED,
INCHES	ALL DIMENSIONS ARE GIVEN
X.X +/- 0.06	IN INCHES, THIRD ANGLE PROJECTION.
X.XX +/- 0.03	
X.XXX +/- 0.015	
[METRIC - MILLIMETER] ANGLE	
X +/- 1.5	
X.X +/- 0.8	
X.XX +/- 0.4	
	+/- 1°

DRAWN BY LEE	MAT'L:	SCALE 1:2
DATE 12-22-11		DRAWING NO. 11V214ZP-DC
CHK'D NAGL		SHT 1 OF 2
		DWG A SIZE

REV	DATE	BY	CHK	DESCRIPTION	ECN	R	CUST	SUP	OTH
OOA	12-22-11	LEE	NAGL	RELEASED TO PRODUCTION	11V214ZP-DC		JDWE		

THIS COPY IS PROVIDED ON A RESTRICTED BASIS AND IS NOT TO BE USED IN ANY WAY DETRIMENTAL TO THE INTERESTS OF PANDUIT CORP.



DOOR HANDLE SHOWN OPEN
(KEYS NOT SHOWN)
(CAN BE SWUNG TO THE RIGHT OR LEFT)

DOOR CUTOUT

MODEL FILENAME	11V214ZP/00.PRT
CAD FILENAME/LAYERS	11V214ZP_DC/00A.PRT

PANDUIT CORP. TINLEY PARK, ILLINOIS
SWINGHANDLE WITH COMBINATION LOCK (CCL)
CUSTOMER DRAWING

UNLESS OTHERWISE SPECIFIED, DIMENSIONAL TOLERANCES ARE:	UNLESS OTHERWISE SPECIFIED,
INCHES	ALL DIMENSIONS ARE GIVEN
X.X +/- 0.06	IN INCHES, THIRD ANGLE PROJECTION.
X.XX +/- 0.03	
X.XXX +/- 0.015	
[METRIC - MILLIMETER]	
X +/- 1.5	
X.X +/- 0.8	
X.XX +/- 0.4	
ANGLE	
+/- 1°	

DRAWN BY LEE	MAT'L:	SCALE 1:2
DATE 12-22-11		DRAWING NO. 11V214ZP-DC
CHK'D NAGL		SHT 2 OF 2
		DWG A SIZE

OOA	12-22-11	LEE	NAGL	RELEASED TO PRODUCTION	11V214ZP-DC	JDWE				
REV	DATE	BY	CHK	DESCRIPTION	ECN	R	CUST	SUP	OTH	