

Part number

# MHO 24 L25



Hood, C-TYPE series, with 2 pegs, M25 side cable entry, size "104.27"

## Product description

<b>Product type</b>	Hood
<b>Series</b>	C-TYPE
<b>Closing type</b>	With 2 pegs
<b>Size</b>	Size "104.27"
<b>Cable entry</b>	Side cable entry M25

## Technical data

<b>IP degree of protection</b>	IP66 (and IP69 DIN 40050 - 9)
--------------------------------	-------------------------------

## Further technical details

<b>Weight</b>	218,00 g
<b>Operating temperature range (min, max)</b>	-40°C...+125°C

## Material properties

<b>Colour</b>	RAL 7040 grey
<b>RoHs conformity</b>	Compliant
<b>China RoHs - EFUP</b>	E
<b>REACH SVHC substances</b>	No

## Approvals / Standards

<b>Certifications</b>	DNV-GL, BV
<b>UL</b>	ECBT2
<b>cUL</b>	ECBT8

## General ordering information

<b>EAN13 code</b>	8015747053457
<b>eCl@ss 8.1</b>	27440202
<b>ETIM 7.0</b>	EC000437

## Packaging Information

<b>Packaging length</b>	255,00 mm
<b>Packaging height</b>	150,00 mm
<b>Packaging width</b>	180,00 mm
<b>Packaging weight</b>	2,38 kg
<b>Packaging volume</b>	6,89 dm <sup>3</sup>
<b>Packaging description</b>	Carton box
<b>Packaging quantity</b>	10 Pcs
<b>Packaging EAN code</b>	8015747053464
<b>Sub-packaging weight</b>	1,19 kg
<b>Sub-packaging description</b>	Plastic packaging
<b>Sub-packaging quantity</b>	5 Pcs
<b>Sub-packaging EAN barcode</b>	8015747053471

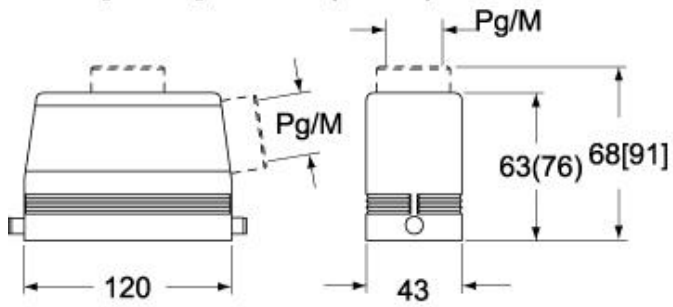
Part number

# MHO 24 L25

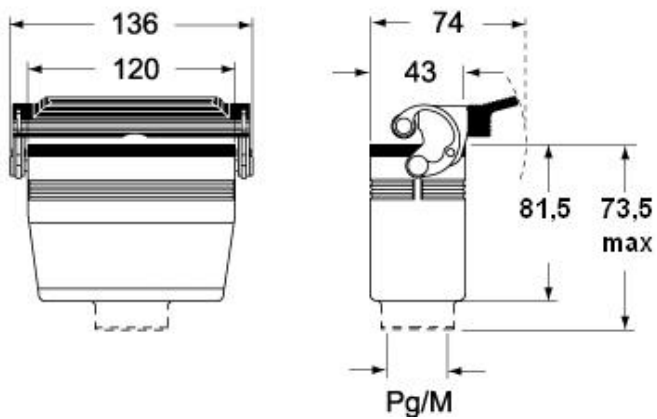


## Catalogue drawings

**CHO L (CAO L) - MHO L [MAO L]**  
**CHV L [CAV L] - MHV L (MAV L)**



**CHV LG (CAV LG), MHV LG (MAV LG) [MFV LG]**



## Notes

Dimensions shown in mm are not binding and may be changed without notice.