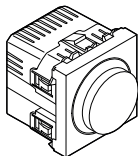
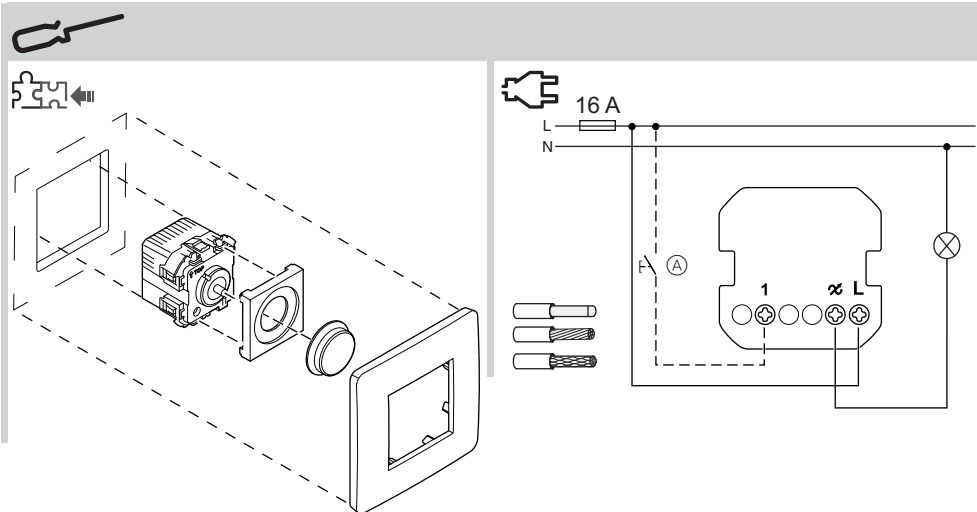


Unica



NU351418, NU351420,
NU351430, NU351454



Universal rotary dimmer LED

Necessary accessories

To be completed with:

- Frame in corresponding design

For your safety

DANGER HAZARD OF ELECTRIC SHOCK, EXPLOSION, OR ARC FLASH

Safe electrical installation must be carried out only by skilled professionals. Skilled professionals must prove profound knowledge in the following areas:

- Connecting to installation networks
- Connecting several electrical devices
- Laying electric cables
- Safety standards, local wiring rules and regulations

Failure to follow these instructions will result in death or serious injury.

DANGER Risk of fatal injury from electric shock. The output may carry electrical current even when the load is switched off.

- When working on the device: Always disconnect the device from the supply by means of the fuse in the incoming circuit.

Failure to observe these instructions will lead to death or serious injuries.

Getting to know the universal rotary dimmer LED

With the universal rotary dimmer LED (hereinafter referred to as **dimmer**), you can switch and dim ohmic, inductive or capacitive loads.

Properties of the dimmer:

- Automatic load detection
- Memory function
- Thermal protection, overload-resistant, short-circuit protection
- Soft start
- Operation with extension unit (mechanical push-button)

Settings:

- Min./max. brightness
- RL LED mode
- Resetting to default settings

Installing the dimmer



- (A) Mechanical push-button at extension unit connection (optional)

CAUTION The device may be damaged!

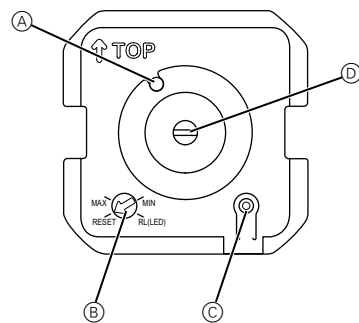
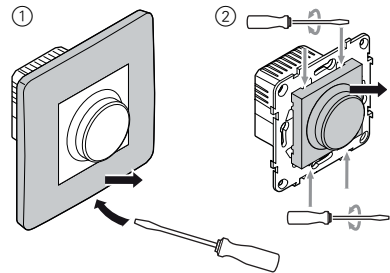
- Always operate the product in compliance with the specified technical data.
- Never connect any mixed inductive/capacitive loads.
- Only connect dimmable loads.
- Danger of overload! Dimming socket outlets is prohibited.

- (i) Dimmer tool: Further information about dimmable lamps and the minimum and maximum number of lamps of a specific type.
<http://schneider-electric.dimmer-test.com>

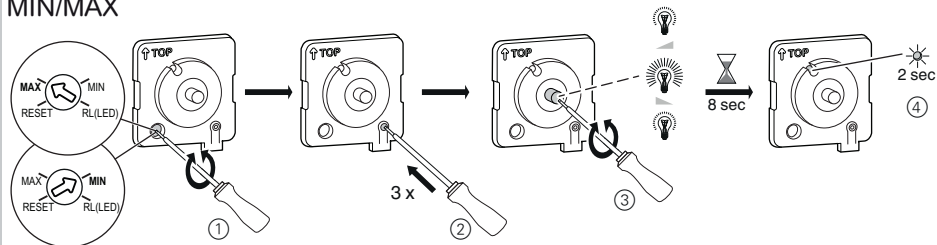
- (i) Please note: In case of reduced thermal dissipation, you will need to reduce the load.

Load reduced by	When installed
0%	In a standard flush-installation mounting box
25%	In cavity walls* Several installed in combination*
30%	In a 1-gang or 2-gang surface-mounted housing
50%	In a 3-gang surface-mounted housing

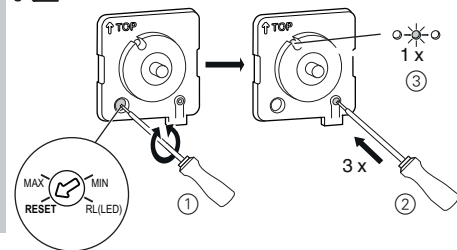
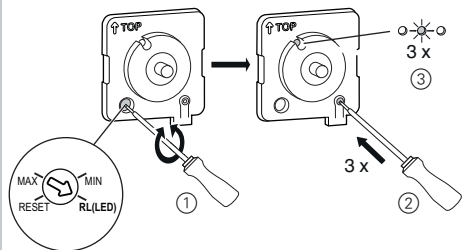
* If more than one factor applies, add the load reductions together.



MIN/MAX

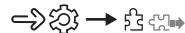


RL LED



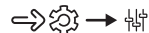
Setting the dimmer

Removing the cover



- 1 Remove the frame.
- 2 Pull off the central plate with the rotary knob.

Displays and operating elements



- A Status LED (red)
- B Potentiometer
- C Programming button
- D Encoder

Carrying out settings (optional)

Setting maximum or minimum brightness



You can adjust the dimming range for lamps from different manufacturers.

The new value is automatically saved after 8 seconds. The connected lamp is automatically switched off.

Switching the operating mode to RL LED mode

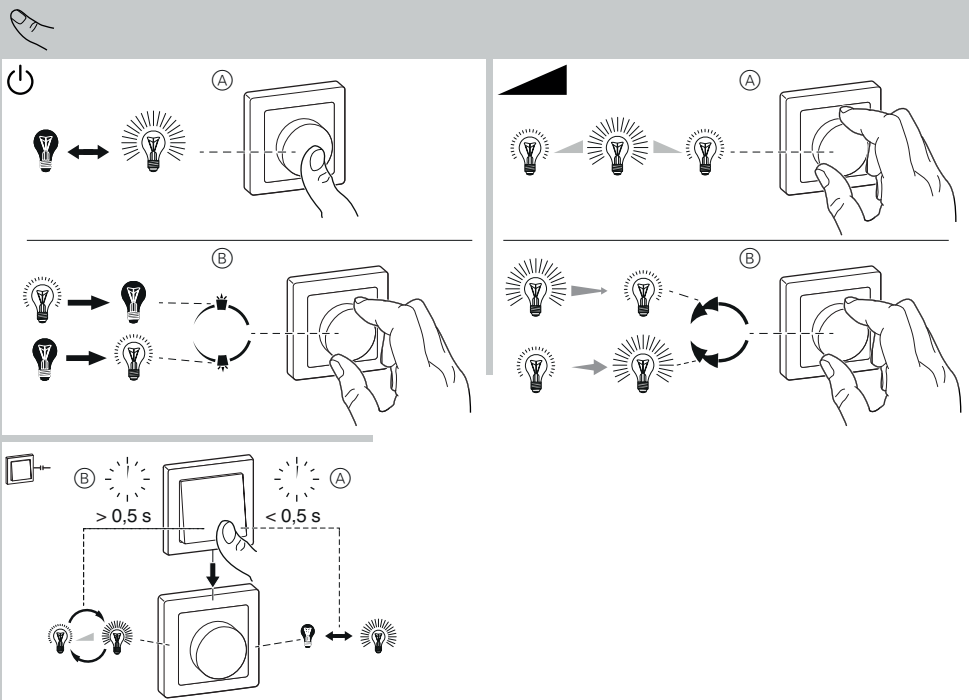


If the connected lamps do not function correctly with the automatic load detection, you can switch to RL LED mode. This reduces the maximum dimmer load (see "Technical Data").

Resetting to default settings



You can reset the dimmer to the default settings (maximum dimming range and automatic mode).



Light bulb symbols			
	LED	5-100 VA 5-20 VA	RC RL
		5-200 W	R
		5-150 VA	L
		5-150 W	R
		5-150 VA	C

Operating the device

Switching lamps locally



- (A) Most recently set brightness
- (B) Minimum brightness

Dimming lamps



- (A) Dimming
- (B) Minimum/maximum brightness

Operating the dimmer using an extension unit



- (A) Switching on/off
- (B) Alternately dimming brighter or darker

What should I do if there is a problem?

Fault	Solution
Dimming up not possible	Reduce/increase load Allow dimmer to cool
Switching on not possible	Allow dimmer to cool Reduce load, change load, check: short-circuit, load defective
Dimming down to minimum brightness	Reduce/increase load Reduce max. brightness
Flickering at minimum brightness	Increase min. brightness
Flickering	Change load Set RL LED mode, reset to default settings
Only slight dimming capability	Change dimming range Set RL LED mode

Technical data

Nominal voltage:	AC 230 V ~, 50 Hz
Nominal power:	...W
Neutral conductor:	not required
Connecting terminals:	Screw terminals for max. 2 x 2.5 mm ² 0.5 Nm
Extension unit:	Single push-button, unlimited number max. 50 m
Fuse protection:	16 A circuit breaker



Dispose of the device separately from household waste at an official collection point. Professional recycling protects people and the environment against potential negative effects.

Schneider Electric Industries SAS

If you have technical questions, please contact the Customer Care Centre in your country.

schneider-electric.com/contact