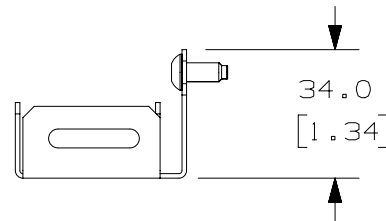
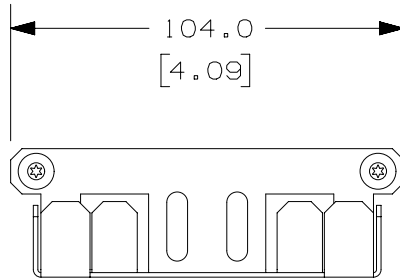
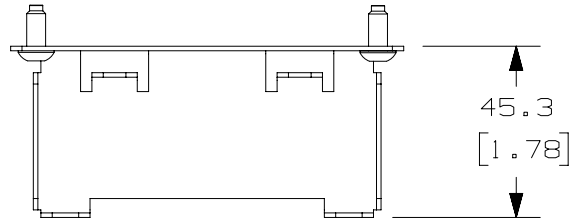


2

1

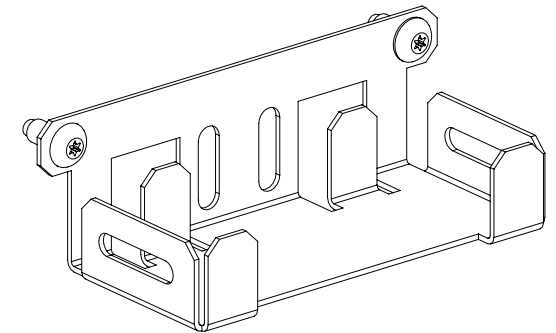
THIS COPY IS PROVIDED ON A RESTRICTED BASIS AND IS NOT TO BE USED IN ANY WAY DETRIMENTAL TO THE INTERESTS OF PANDUIT CORP.

PANDUIT P/N	COLOR
MA014	BLACK
MA014W	WHITE
MA014G	GRAY



NOTES:

- VISIT OUR ON-LINE CATALOG AT WWW.PANDUIT.COM FOR A LIST OF CURRENT PARTS APPLICABLE FOR USE WITH THIS PRODUCT.
- PRIMARY DIMENSIONS ARE IN MILLIMETERS (mm), SECONDARY DIMENSIONS IN [INCHES].
- PARTS SUPPLIED:
(1) - SENSOR HUB BRACKET
(2) - M5X0.8 BUTTON HEAD SCREWS
- WEIGHT:
0.08 kg/EACH
.18 LBS/EACH



ISO VIEW

REV	DATE	BY	CHK	APR	DESCRIPTION	ECN
01A	03-07-18	NILI	DACU	EDM	RELEASED FOR PRODUCTION	15V120AA
00A	11-16-17	LEE	BAO		RELEASED FOR QUOTE	V09001KZ

TITLE		SENSOR HUB MOUNTING BRACKET (MA014)	
ITEM REVISION NAME		CUSTOMER DRAWING	
DATASET FILE NAME		15V120AA/01	PANDUIT
		15V120AA_DC/01A	
MATERIAL:		N/A	
DRAWING NUMBER:		15V120AA_DC	
DRAWN BY	DATE	CHK	SCALE
LEE	11-16-17	BAO	NONE
SHT 1 OF 1		SIZE A	

2

1

D10100DA/16