



Product designation

Wobble stick,  
omnidirectional

Product type designation

KBM

**General characteristics**

Material

Housing  
Rod

Polymer  
thermoplastic  
Semirigid

**Contact characteristics**

Type of contact			2NC Snap action
Thermal current I <sub>th</sub>		A	10
IEC/EN 60947-5-1 designation			A600 Q300
Rated insulation voltage U <sub>i</sub>		V	690
Rated impulse withstand voltage U <sub>imp</sub>		kV	6
Insulation class			II
Short-circuit protection with fuse		Class/A	10 gG/SC QUICK FUSE
Switching speed		min	m/s 0.5
		max	m/s 1.5
IEC Conventional free air thermal current I <sub>th</sub>		A	10
Resistance per pole (average value)		mΩ	<10

**Mechanical features**

Operating head fixing			Locking bayonet insert
Operating torque		Ncm	1
		ozin	1.42
Tightening torque (Max)			
Switch fixing		Nm	2.5
		lbin	22.1
Contact terminals		Nm	0.8
		lbin	7
Body lid screw fixing		Nm	0.8
		lbin	7
Conductor section			
AWG/Kcmil		min	16
		max	14
IEC		min	mm <sup>2</sup> 1or 2
		max	mm <sup>2</sup> 2.5

Cable connection	Self-releasing screw terminal
Cable entry	M20 on the bottom

**Operations**

Mechanical life	cycles	<10000000
Mechanical operation	cycles/h	3600

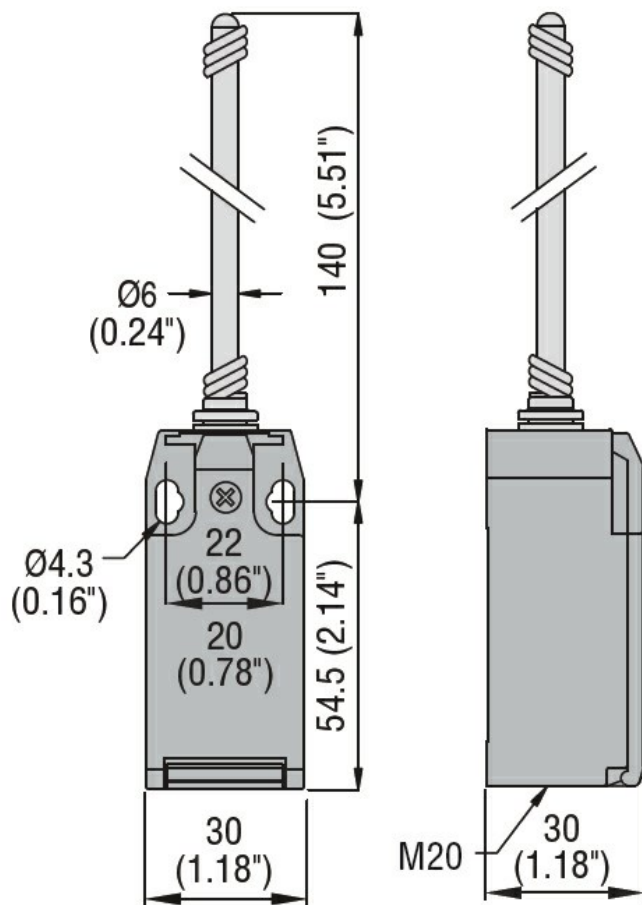
**Ambient conditions**

Temperature	Operating temperature	min	°C	-25
		max	°C	+70
	Storage temperature	min	°C	-40
		max	°C	+70

**Resistance & Protection**

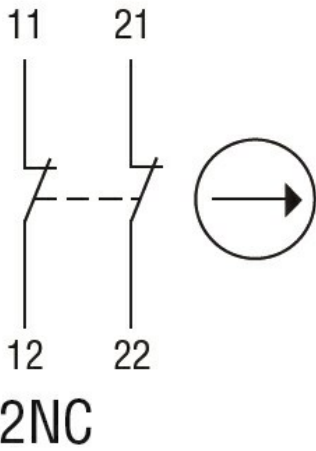
IP degree	Terminals	IP20
	Body housing	IP65
Pollution degree		3

**Dimensions**



**Wiring diagrams**

## Snap action



### Certifications and compliance

#### Compliance

CSA C22.2 n° 14  
EN 50047  
IEC/EN 60204-1  
IEC/EN 60947-1  
IEC/EN 60947-5-1  
UL508

#### Certificates

CCC  
cULus  
EAC

### ETIM classification

ETIM 8.0

EC000030 - End  
switch