

**Fiche produit**

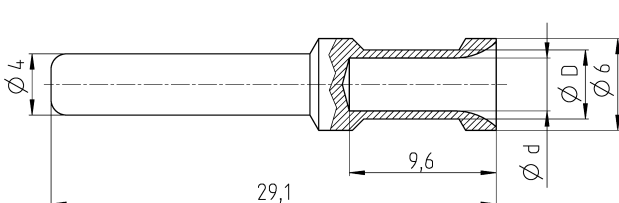
Article n° 05.545.9500.8

Contact mâle 6/10

Article n°	05.545.9500.8
EAN	4049088213502
Unité de commande	100 Piece(s)

## certificats/approbations

## Dessin technique



$\varnothing 4$   
 $29,1$   
 $9,6$   
 $\varnothing D$   
 $\varnothing 6$

zugehöriges Werkzeug/associated tool  
 Crimpbacken/crimp die "H": 05.502.5000.0  
 Kontaktaufnahme/contact positioner "6": 05.502.5200.0

VPE: 100  
 packing unit: 100

Bestell-Nr. order - no.	Querschnitt cross section mm <sup>2</sup>	AWG	d	D	Oberfläche surface
05.545.9200.7	1,5	16	1,75	3,0	vergoldet gold-plated
05.545.9200.8					versilbert silver-plated
05.545.9300.7	2,5	14	2,25	3,5	vergoldet gold-plated
05.545.9300.8					versilbert silver-plated
05.545.9400.7	4,0	12	2,85	3,9	vergoldet gold-plated
05.545.9400.8					versilbert silver-plated
05.545.9500.7	6,0	10	3,5	5,0	vergoldet gold-plated
05.545.9500.8					versilbert silver-plated

Weitere Daten siehe KATALOG oder eKatalog  
 additional data see CATALOG or eCATALOG

[www.wieland-electric.com](http://www.wieland-electric.com)  
[eshop.wieland-electric.com](http://eshop.wieland-electric.com)

Tolerierung Size ISO 14405 © / Tolerance system Size ISO 14405 ©  
 (This ISO-standard describes the envelope principle. According to the envelope principle the deviations of form and position are limited by the size tolerances)

Präzisions-tolerance nach DIN ISO 2768 - m / Precision-tolerance according to DIN ISO 2768 - m

1) Verwendungs- / Use: **T 05.545.9200.7 13K**

Zeichnung Nr. / Drawing No.: **05.545.9200.7 13K**

Maße in mm / Dimensions are in mm

**wieland**  
[www.wieland-electric.com](http://www.wieland-electric.com)

**STECKERKONTAKT**  
 Crimpanschluss  
 MALE CONTACT - crimp connection