



Product designation	Solid state relay
Product type designation	HS2C
Type	Three-phase (2 controlled)

**Input characteristics**

Control voltage	4...32VDC		
Operating voltage limits			
	Operating voltage pick-up	V	4
	Operating voltage drop-out	V	2
Input current at min...max voltage	mA		13...21

**Operating times**

Switching-on	Half cycle max
Switching-off	Half cycle max

**Output characteristics**

Switching mode	Zero crossing		
Rated operating voltage	VAC		48...600
Blocking voltage	V		1200
Operational frequency (min...max)	Hz		45...65
Rated operating current AC-51 (resistive load) at 40°C	A		30
Rated operating current AC-51 (resistive load) at 55°C	A		25
Rated operating current AC-53 (motor load) at 40°C	A		13.5
Operational current min	A		0.16
Non repetitive surge peak on state current t=10ms	A		530
Off state leakage current	mA		1
On state output voltage drop	V		1.2
Critical rate of rise of off-state voltage dv/dt	V/μs		1000
Input - Output isolation	V		5000
Input - Output to metal base	V		5000
Output protection type	VDR		
I <sup>2</sup> t	A2s		1404

**Terminal characteristics**

Control terminals	Type	Screw	
Terminals tool	Blade 3.5mm		
Tightening torque control terminals	Nm	0.5Nm	
	lbin	4.5	
Conductor section connectable (control terminals) with 1 or 2 wires min...max			
	AWG stranded	n°	28...12
	Flexible w/o lug	mm <sup>2</sup>	0.75...2.5
	Flexible c/w insulated spade lug	mm <sup>2</sup>	0.75...2.5
Load terminals	Type	Screw	
Load terminals tool	PH2		
Tightening torque load terminals	Nm	1.5	
	lbin	13.3	

Conductor section connectable (load terminals) with 1 or 2 wires min...max

AWG stranded	n°	18...10
Flexible w/o lug	mm2	1...6
Flexible c/w insulated spade lug	mm2	1...16

Operating position

allowable On vertical plane

Fixing

Screw or on  
35mm DIN rail

**Ambient conditions**

Temperature

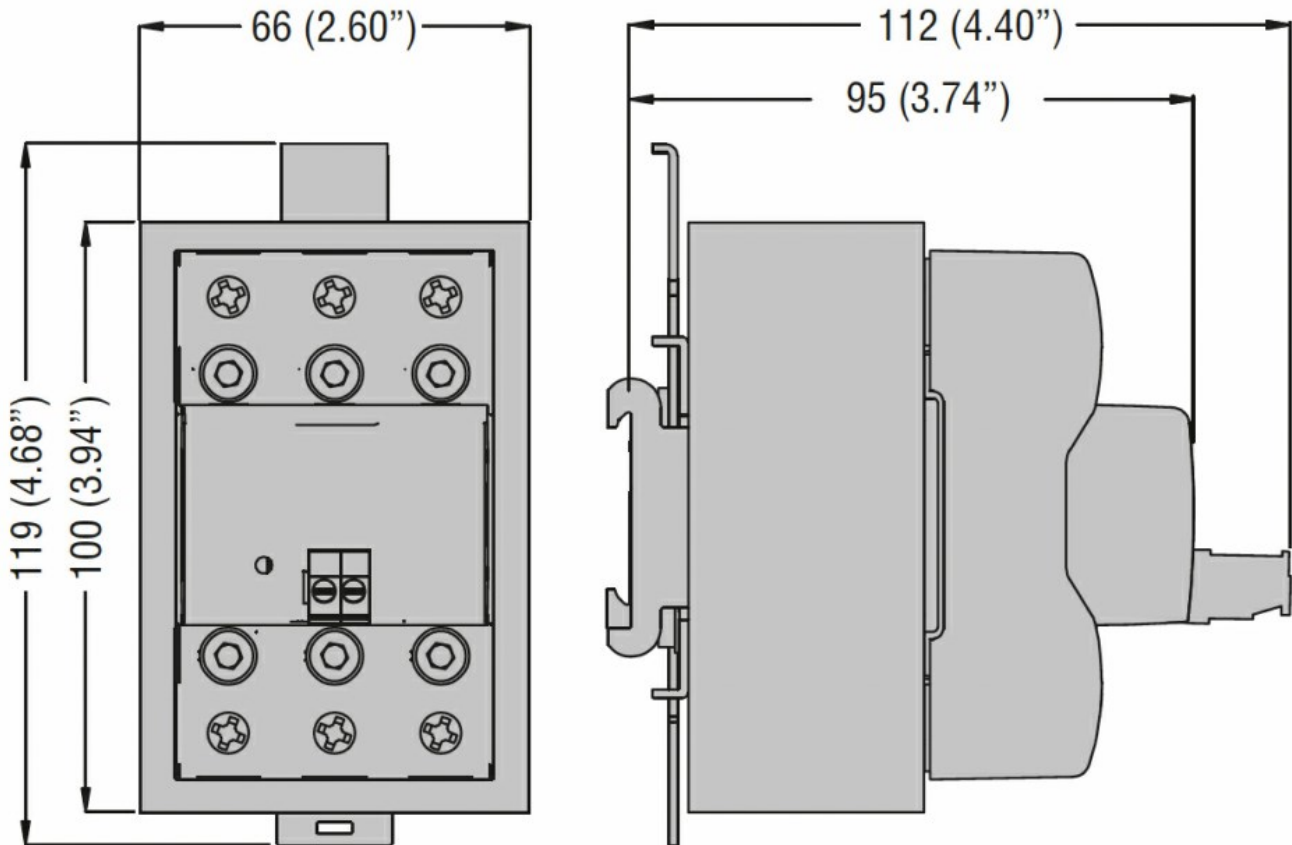
Operating temperature

min	°C	-40
max	°C	+80

Storage temperature

min	°C	-40
max	°C	+130

**Dimensions**



**Certifications and compliance**

Certifications

- IEC/EN/BS 60947-4-2
- IEC/EN/BS 60947-4-3
- IEC/EN/BS 62314
- IEC/EN/BS 6335-1

Compliance

cULus

**ETIM classification**

EC000066 - Power contactor, AC switching