

Part number

# COB TSF



Insert carrier blocks for mobile mounting, COB panel supports series, for inserts with 27 mm screw fixing centre distance (short side), with handle for cable support bands

Product description	
<b>Product type</b>	Insert carrier blocks for mobile mounting
<b>Series</b>	COB panel supports
<b>Specification</b>	For inserts with 27 mm screw fixing centre distance (short side), with handle for cable support bands
Technical data	
<b>IP degree of protection</b>	IP20
Further technical details	
<b>Weight</b>	25,00 g
<b>Operating temperature range (min, max)</b>	-40°C...+125°C

Material properties	
<b>Colour</b>	RAL 7032 grey
<b>RoHs conformity</b>	Compliant with exemption 6(c): copper alloy containing up to 4% lead by weight
<b>China RoHs - EFUP</b>	50
<b>REACH SVHC substances</b>	Yes Lead
<b>SCIP number</b>	B008b8e4-629e-4e70-ab7d-b3b67464925d
Approvals / Standards	
<b>Certifications</b>	DNV, BV
<b>UL</b>	ECBT2
<b>cUL</b>	ECBT8
General ordering information	
<b>EAN13 code</b>	8015747036740
<b>eCl@ss 8.1</b>	27440206
<b>ETIM 7.0</b>	EC002312
Packaging Information	
<b>Packaging length</b>	225,00 mm
<b>Packaging height</b>	120,00 mm
<b>Packaging width</b>	135,00 mm
<b>Packaging weight</b>	0,63 kg
<b>Packaging volume</b>	3,65 dm <sup>3</sup>
<b>Packaging description</b>	Carton box
<b>Packaging quantity</b>	25 Pcs
<b>Packaging EAN code</b>	8015747036757

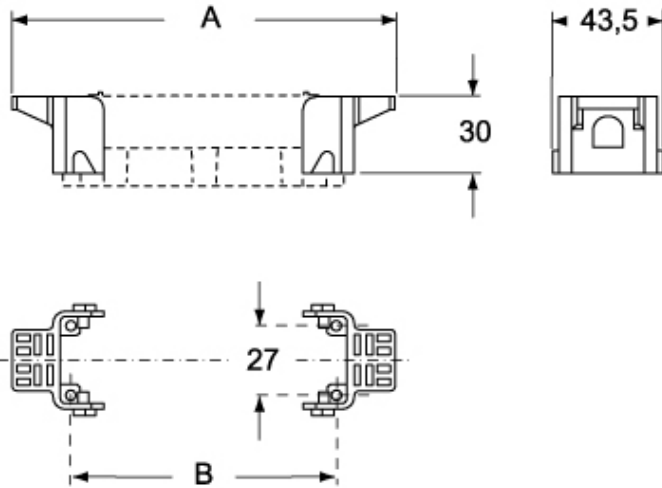
Part number

# COB TSF

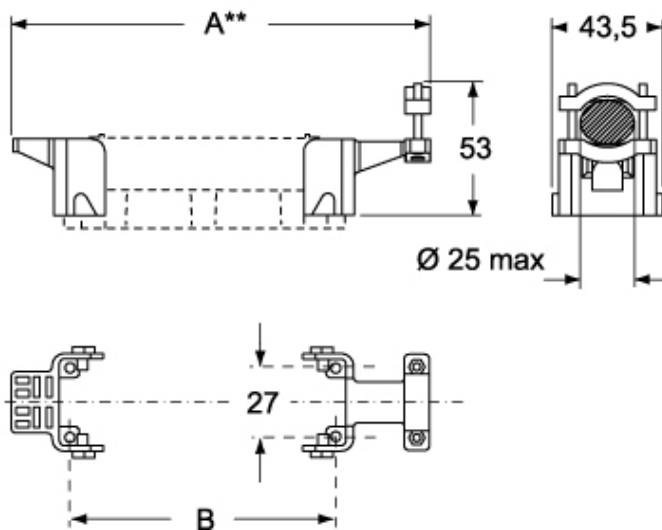


Catalogue drawings

## COB TSF



## COB TSFS



## Notes

Dimensions shown in mm are not binding and may be changed without notice.