

1SET111012R0000 ✓ ACTIVE

ENTRELEC

TE Internal #: 1SET111012R0000

Crimp Wire Pins, Tabs & Ferrules, Ferrule, Pin Diameter 2.2 mm, 14

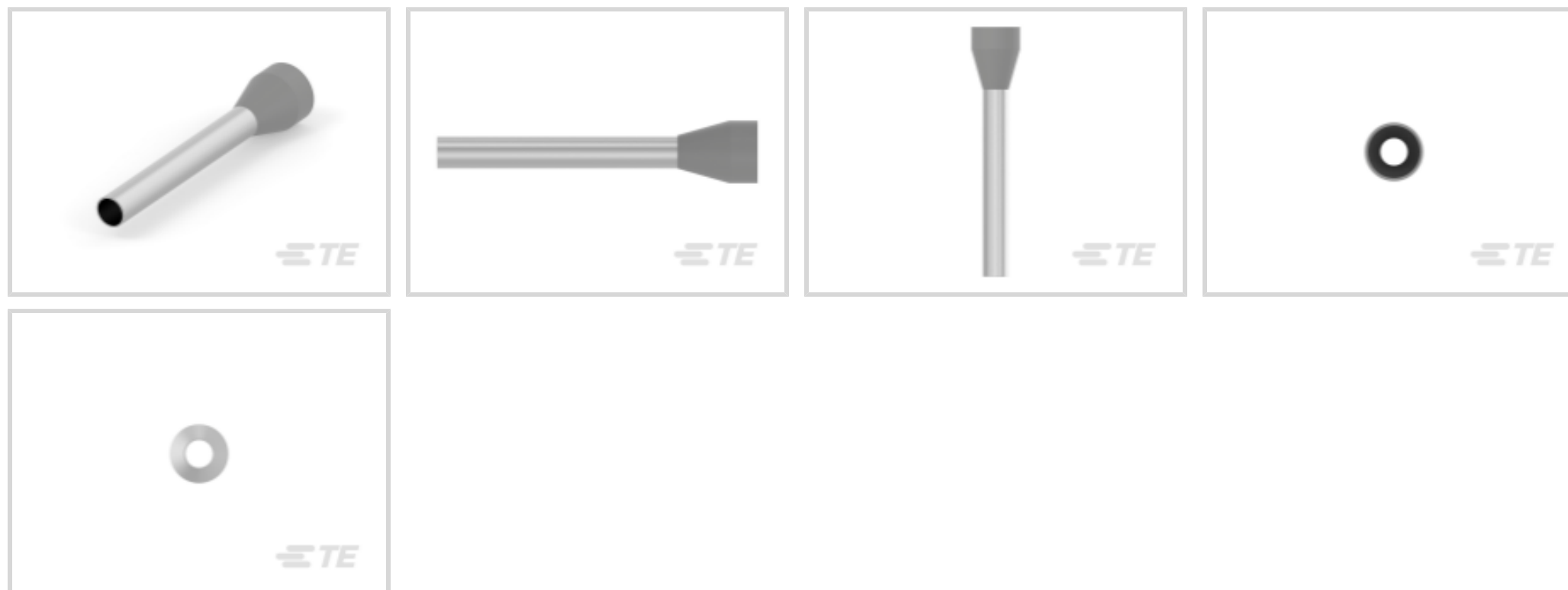
AWG Wire Size, 2.5 mm<sup>2</sup> Wire Size, .087 in [2.2 mm] Barrel Inside

Diameter, Closed

[View on TE.com >](#)



Terminals & Splices > Crimp Wire Pins, Tabs & Ferrules



Crimp Wire Pin, Tab & Ferrule Terminal Type: **Ferrule**

Pin Diameter: **2.2 mm**

Accepts Wire Insulation Diameter Range: **4.1 mm, 4.2 mm [ .162 in, .166 in ]**

Wire Size: **2.5 mm<sup>2</sup>**

## Features

### Product Type Features

Sealable	No
Compatible With Discrete Wire Type	Stranded
Wire Insulation Support Retention Type	Insulation Support

### Configuration Features

Compatible With Wire & Cable Type	Discrete Wire
-----------------------------------	---------------

### Body Features

Double Wire	No
Insulation Material	PP

### Contact Features

Terminal Length	18 mm[.702 in]
Crimp Wire Pin, Tab & Ferrule Terminal Type	Ferrule
Barrel Type	Closed
Terminal Plating Material	Tin
Terminal Orientation	Straight

### Mechanical Attachment

Wire Insulation Support	Without
-------------------------	---------

### Dimensions

2-Wire Size	14 AWG
Strip Length	20 mm [.787 in]
Pin Diameter	2.2 mm
Accepts Wire Insulation Diameter Range	4.1 mm, 4.2 mm [.162 in] [.166 in]
Wire Size	2.5 mm <sup>2</sup>
Barrel Inside Diameter	2.2 mm [.087 in]
Terminal Material Thickness	.15 mm [.005 in]
Overall Product Length	24 mm [.945 in]

### Usage Conditions

Insulation Option	Partially Insulated
Operating Temperature Range	105 °C [221 °F]

### Operation/Application

Heavy Duty	No
------------	----

### Packaging Features

Packaging Quantity	500
Packaging Method	Bag

### Product Compliance

[For compliance documentation, visit the product page on TE.com>](#)

EU RoHS Directive 2011/65/EU	Not Yet Reviewed
EU ELV Directive 2000/53/EC	Not Yet Reviewed
China RoHS 2 Directive MIIT Order No 32, 2016	Not reviewed for China RoHS compliance
EU REACH Regulation (EC) No. 1907/2006	Current ECHA Candidate List: JUNE 2022 (224) Not Yet Reviewed
Halogen Content	Not Yet Reviewed for halogen content
Solder Process Capability	Not reviewed for solder process capability

#### Product Compliance Disclaimer

This information is provided based on reasonable inquiry of our suppliers and represents our current actual knowledge based on the information they provided. This information is subject to change. The part numbers that TE has identified as EU RoHS compliant have a maximum concentration of 0.1% by weight in homogenous materials for lead, hexavalent

chromium, mercury, PBB, PBDE, DBP, BBP, DEHP, DIBP, and 0.01% for cadmium, or qualify for an exemption to these limits as defined in the Annexes of Directive 2011/65/EU (RoHS2). Finished electrical and electronic equipment products will be CE marked as required by Directive 2011/65/EU. Components may not be CE marked. Additionally, the part numbers that TE has identified as EU ELV compliant have a maximum concentration of 0.1% by weight in homogenous materials for lead, hexavalent chromium, and mercury, and 0.01% for cadmium, or qualify for an exemption to these limits as defined in the Annexes of Directive 2000/53/EC (ELV). Regarding the REACH Regulations, TE's information on SVHC in articles for this part number is still based on the European Chemical Agency (ECHA) 'Guidance on requirements for substances in articles' (Version: 2, April 2011), applying the 0.1% weight on weight concentration threshold at the finished product level. TE is aware of the European Court of Justice ruling of September 10th, 2015 also known as O5A (Once An Article Always An Article) stating that, in case of 'complex object', the threshold for a SVHC must be applied to both the product as a whole and simultaneously to each of the articles forming part of its composition. TE has evaluated this ruling based on the new ECHA "Guidance on requirements for substances in articles" (June 2017, version 4.0) and will be updating its statements accordingly.

## Compatible Parts



TE Part # 539660-1  
ADERENDHUELSEN (Ferrule) Crimp Tool



TE Part # 6-1579014-5  
HT FOR CABLE-END SLEEVES FRONT 0,08-16

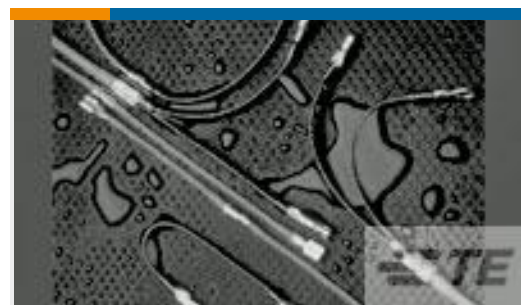


TE Part # 1SET191003R0000  
FER-SE-HT

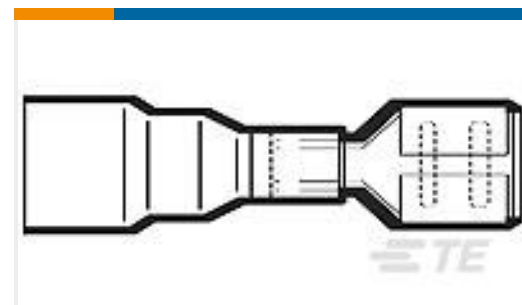


TE Part # 1SET191004R0000  
FER-FL-HT

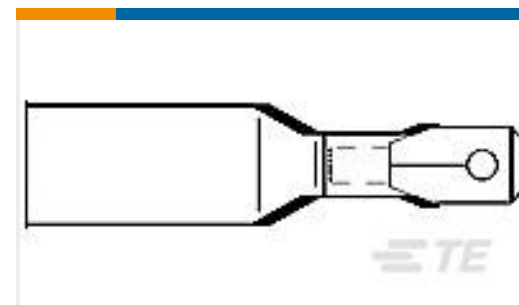
## Customers Also Bought



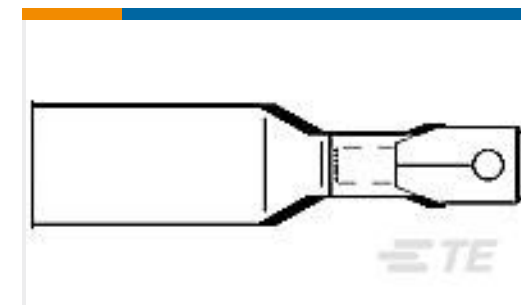
TE Part #CC2649-000  
B-106-1803CS50



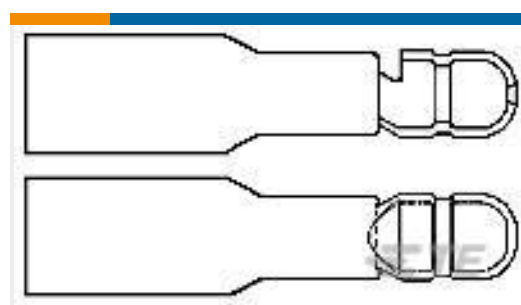
TE Part #CC2641-000  
B-106-3632CS100



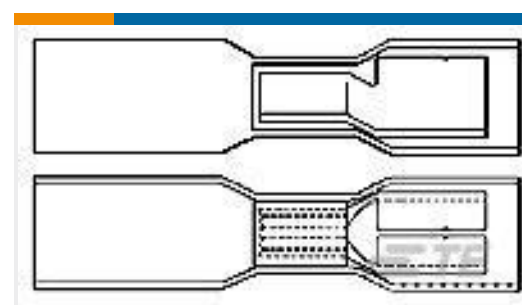
TE Part #CC2642-000  
B-106-4632CS100



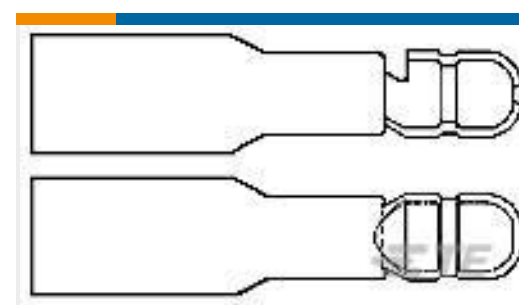
TE Part #CC2630-000  
B-106-4631CS100



TE Part #CC2631-000  
B-106-7401CS100



TE Part #CC2632-000  
B-106-8401CS100



TE Part #CC2643-000  
B-106-7502CS100



TE Part #CC2637-000  
B-106-1802CS100



## Documents

### Product Drawings

[WF025-18-GR](#)

English

### Datasheets & Catalog Pages

[Infographic - entrelec ews-linecard](#)

English

[ENTRELEC - INSULATED WIRE END FERRULES](#)

[ENTRELEC - INSULATED WIRE END FERRULES](#)

English

[ENTRELEC - INSULATED WIRE END FERRULES](#)

French

[Essential Entrelec Terminal Blocks](#)

French

[Essential Entrelec Terminal Blocks](#)

English

### Agency Approvals

[UL](#)

English