

PROFIL Z Z24x24x24
Z SECTION Z24x24x24

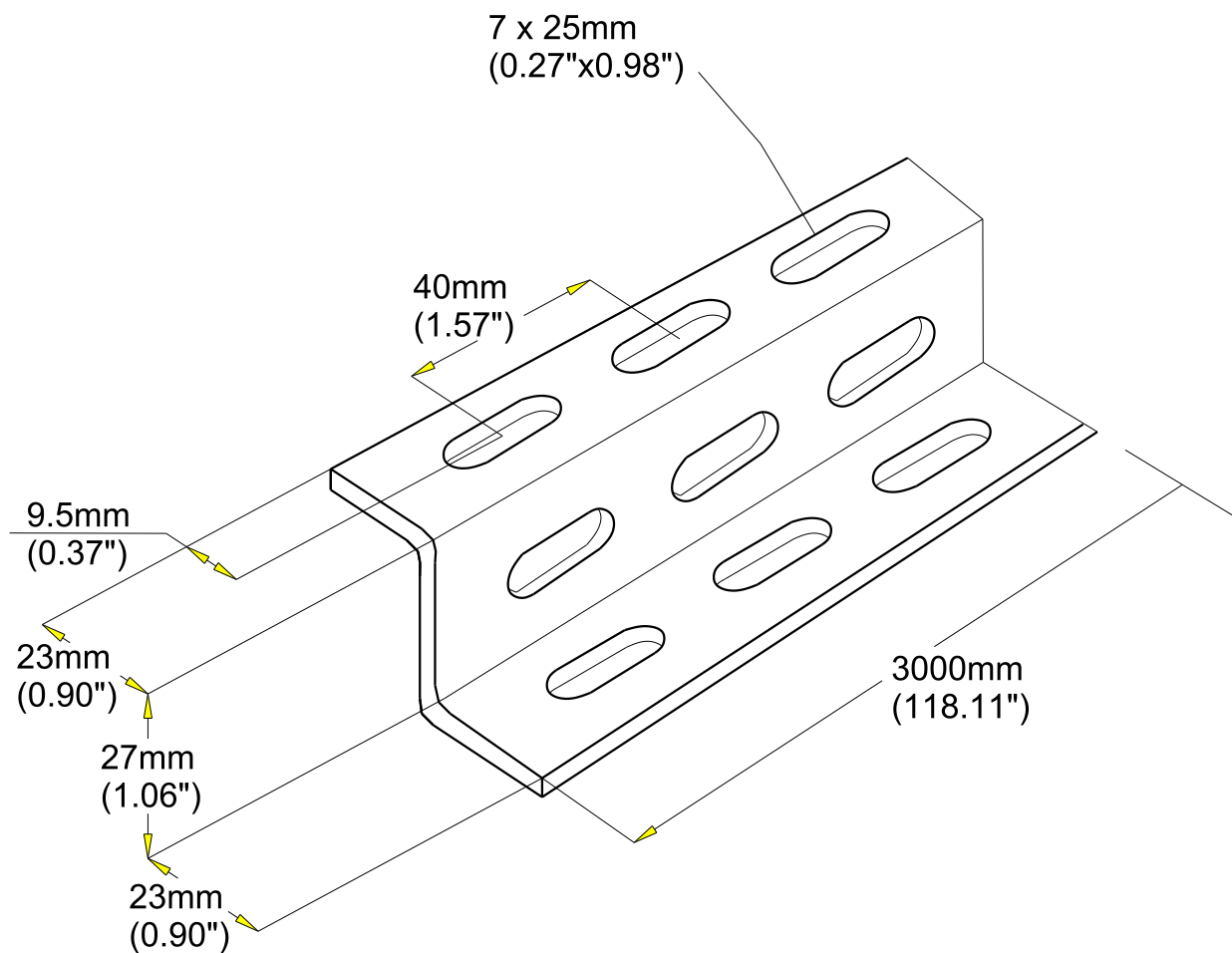
GC
HDG



CABLE
MANAGEMENT

FT0262-3

03 16



Material	Standard	Finishes	Standard
S235JR	EN 10025	Hot dip galvanized	EN ISO 1461

REF	CODE	POIDS (Kg/m)	WEIGHT (lb/ft)
Z 24x24x24	524 210	0.760	0.511

EPAISSEUR / THICKNESS
1.5 / (0.06")