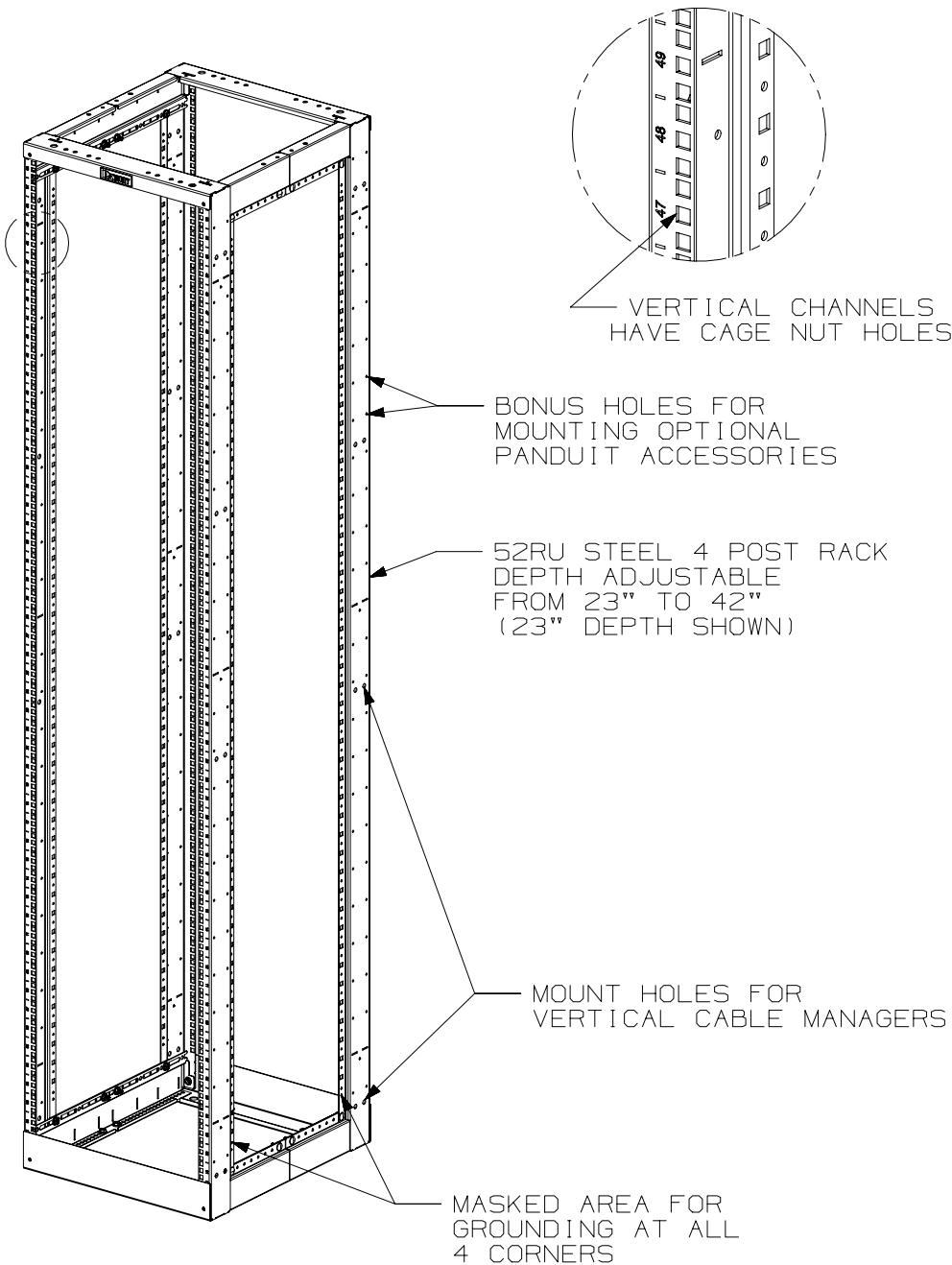


THIS COPY IS PROVIDED ON A RESTRICTED BASIS AND IS NOT TO BE USED IN ANY WAY DETRIMENTAL TO THE INTERESTS OF PANDUIT CORP.



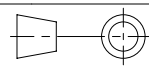
PANDUIT PART NO.	WEIGHT
AR4PCN96	71 LBS
AR4PCN96WH	32.2 Kg

NOTES:

- VISIT OUR ON-LINE CATALOG AT WWW.PANDUIT.COM FOR A LIST OF CURRENT PARTS APPLICABLE FOR USE WITH THIS PRODUCT.
- DIMENSIONS IN PARENTHESIS ARE METRIC.
- RACK DEPTH IS ADJUSTABLE FROM 23" TO 42" AT 1/2" INCREMENTS.
- CAN BE USED WITH ANY EIA STANDARD COMPONENT IN ADDITION TO ALL PANDUIT HORIZONTAL CABLE MANAGEMENT AND PATCH PANEL PRODUCTS.
- 52 AVAILABLE RACK SPACES.
- EIA UNIVERSAL STANDARD HOLE PROGRESSION ON FRONT AND REAR CHANNELS.
.625", .625", .500", .625", .625", .500"...ETC.
- ALL RACKS WILL HAVE NUMBERS UP ORIENTATION (RU "01" ON BOTTOM, RU "52" ON TOP).
- RU SPACING NUMBERS ARE CLEARLY PRINTED ON MOUNTING RAILS.
- ALL ASSEMBLY HARDWARE INCLUDED:
(2) 96" TALL WELDED RACK FRAME WITH CAGE NUT MOUNT HOLES
(4) ADJUSTABLE DEPTH MOUNT BRACKETS
(1) HARDWARE KIT
- EASY ASSEMBLY, ONE WRENCH NEEDED TO INSTALL CARRIAGE BOLTS INTO IN ALL 8 CORNERS.
- FULLY BONDED STRUCTURE WHEN ASSEMBLED PER INSTRUCTIONS.
- LOAD RATING - 2000 LBS.

PART NUMBER		AR4PCN96 / AR4PCN96WH	
TITLE			
STEEL CONTAINMENT RACK, 52RU CAGE NUT RAILS, ADJUSTABLE DEPTH FROM 23" TO 42"			
CUSTOMER DRAWING			
ITEM REVISION NAME		00448EAB/01	
DATASET FILE NAME		00448EAB_DC/01A	
MATERIAL		STEEL	
DRAWN BY		TWW	
DATE		10-21-19	
CHK		RYB	
SCALE		NONE	
DRAWING NUMBER		00448EAB-DC	
SHEET 1 OF 3		A	

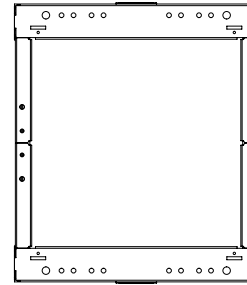
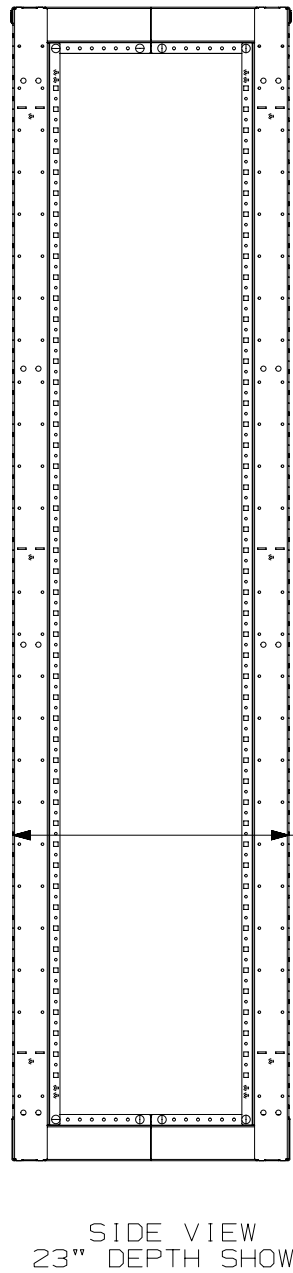
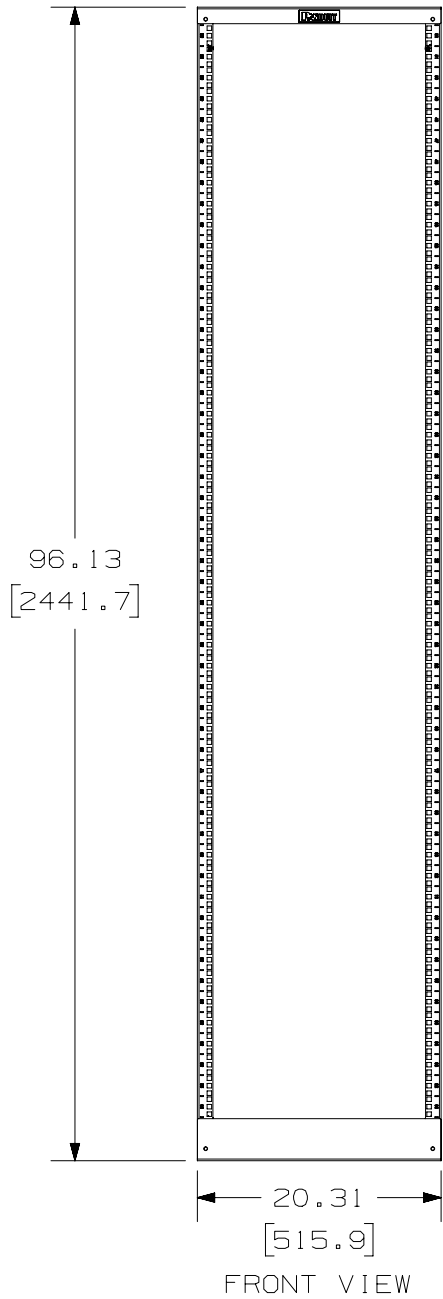
REV	DATE	BY	CHK	APR	DESCRIPTION	ECN
01A	10-13-20	RYB	KRKE		UPDATED VIEWS	M09000ME
00A	7-10-20	TWV	RYB	JEFK	RELEASED TO PRODUCTION	M09000ME



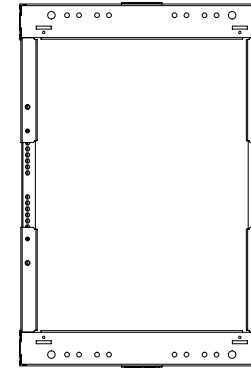
THIRD ANGLE PROJECTION

A-SIZE CUSTOMER

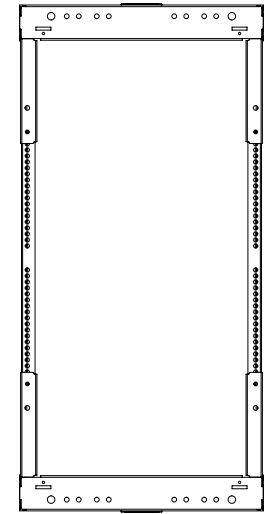
THIS COPY IS PROVIDED ON A RESTRICTED BASIS AND IS NOT TO BE USED IN ANY WAY DETRIMENTAL TO THE INTERESTS OF PANDUIT CORP.



TOP VIEW
23" DEPTH



TOP VIEW
30" DEPTH



TOP VIEW
42" DEPTH

PART NUMBER		AR4PCN96 / AR4PCN96WH	
TITLE			
STEEL CONTAINMENT RACK, 52RU CAGE NUT RAILS, ADJUSTABLE DEPTH FROM 23" TO 42"			
CUSTOMER DRAWING			
ITEM REVISION NAME		00448EAB/01	
DATASET FILE NAME		00448EAB_DC/01A	
MATERIAL		STEEL	
DRAWING NUMBER		00448EAB-DC	
DRAWN BY		DATE	CHK
TWW		1-22-20	RYB
SCALE		NONE	
SHEET 2 OF 3		SIZE	
		A	

REV	DATE	BY	CHK	APR	DESCRIPTION	ECN
01A	10-13-20	RYB	KRKE		SEE SHEET ONE FOR REVISIONS	M09000ME
00A	7-10-20	TWV	RYB	JEFK	SEE SHEET ONE FOR REVISIONS	M09000ME

A-SIZE CUSTOMER

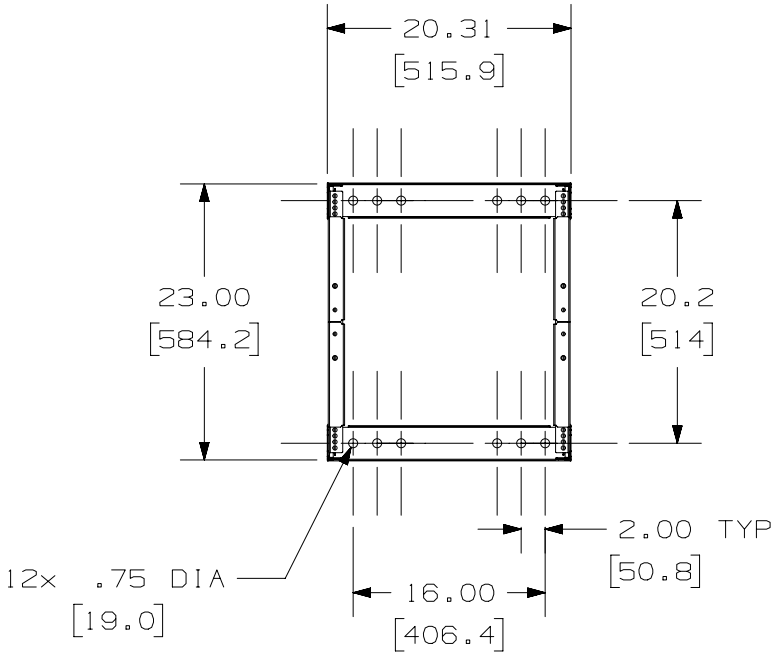
2

1

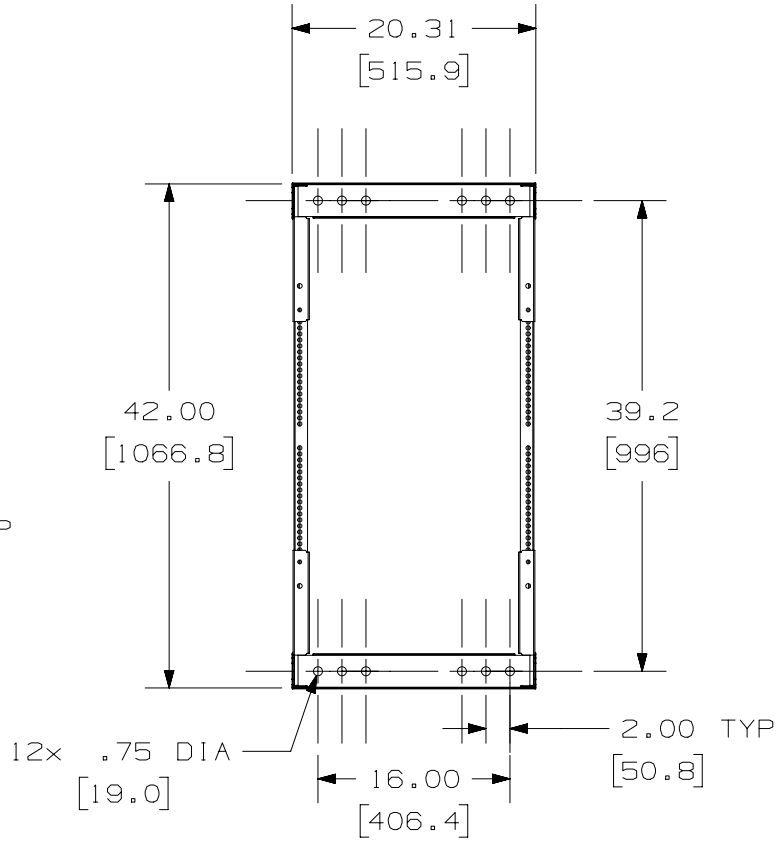
2

1

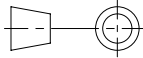
THIS COPY IS PROVIDED ON A RESTRICTED BASIS AND IS NOT TO BE USED IN ANY WAY DETRIMENTAL TO THE INTERESTS OF PANDUIT CORP.



FLOOR FOOTPRINT AT 23" MINIMUM DEPTH



FLOOR FOOTPRINT AT 42" MAXIMUM DEPTH

PART NUMBER		AR4PCN96 / AR4PCN96WH		
TITLE		STEEL CONTAINMENT RACK, 52RU CAGE NUT RAILS, ADJUSTABLE DEPTH FROM 23" TO 42"		
CUSTOMER DRAWING				
ITEM REVISION NAME		00448EAB/01		
DATASET FILE NAME		00448EAB_DC/01A		
		THIRD ANGLE PROJECTION		
MATERIAL		STEEL		
DRAWING NUMBER		00448EAB-DC		
DRAWN BY	DATE	CHK	SCALE	SIZE
TWV	1-22-20	RYB	NONE	A
SHEET 3 OF 3				

REV	DATE	BY	CHK	APR	DESCRIPTION	ECN
01A	10-13-20	RYB	KRKE		SEE SHEET ONE FOR REVISIONS	M09000ME
00A	7-10-20	TWV	RYB	JEFK	SEE SHEET ONE FOR REVISIONS	M09000ME

A-SIZE CUSTOMER

2

1

2

1