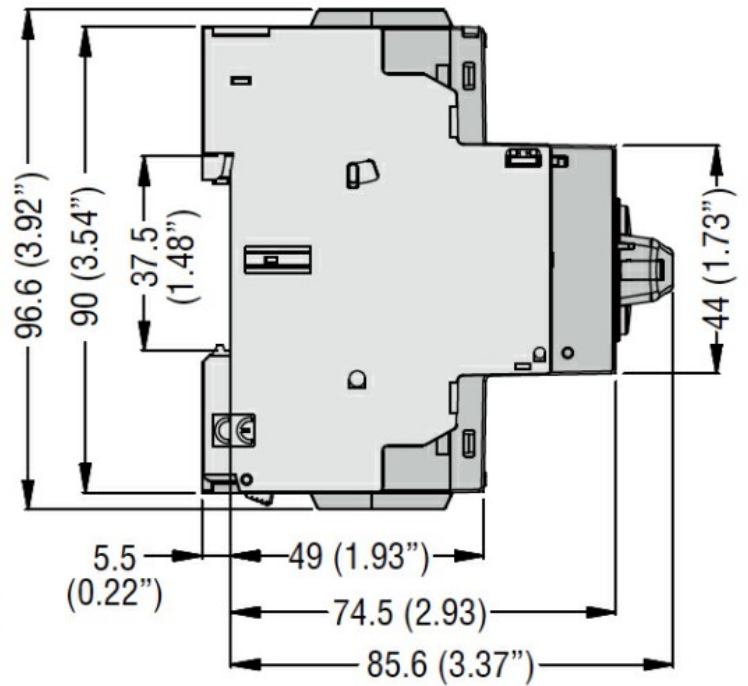
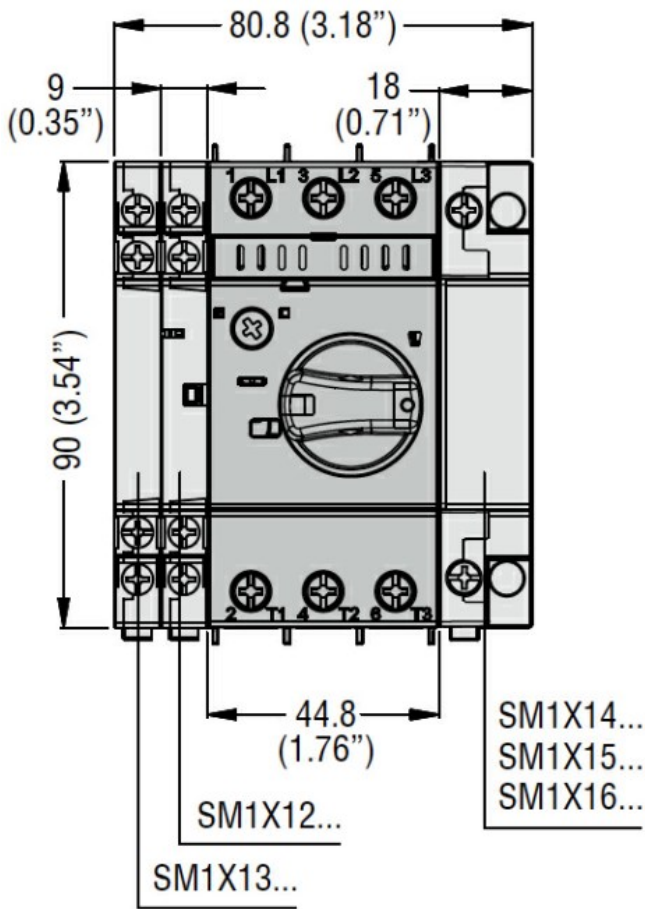




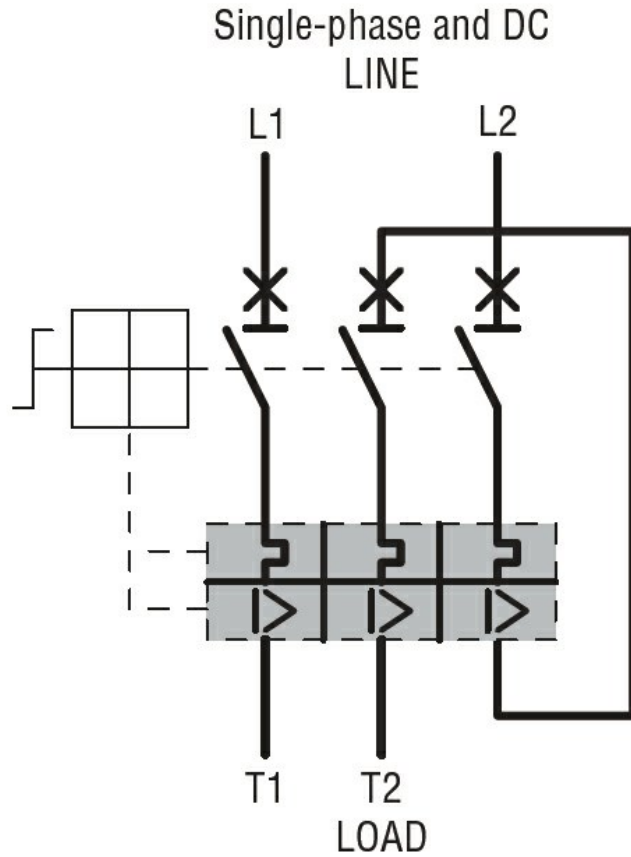
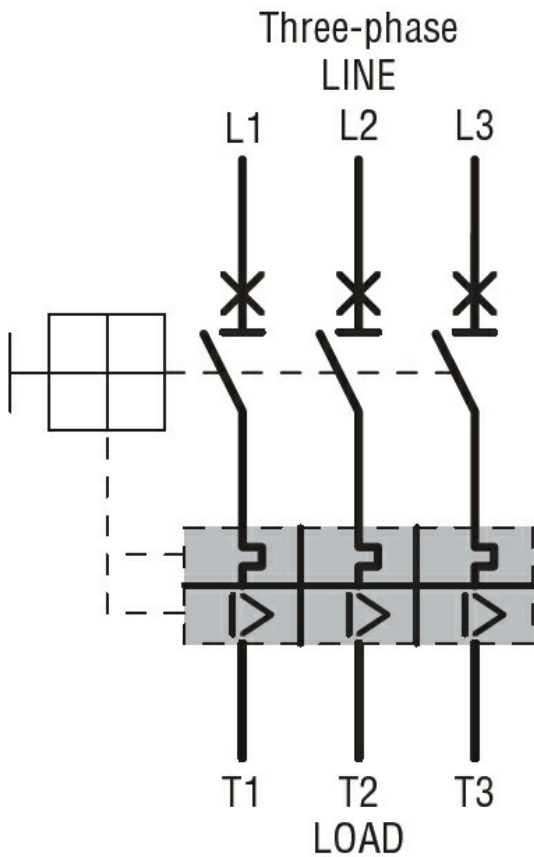
Product designation	Motor protection circuit breaker SM1RM			
Product type designation	SM1RM			
<b>Electrical features</b>				
Magnetic protection	yes			
Thermal protection	no			
Rated insulation voltage $U_i$ IEC/EN	V	690		
Rated impulse withstand voltage $U_{imp}$	kV	6		
Rated frequency	Hz	50/60		
Rated current ( $I_n$ )	A	4		
Magnetic tripping	13 x $I_n$			
Power dissipation per pole	min	W	0.90	
	max	W	2.29	
Operational short-circuit current breaking capacity ( $I_{cs}$ ) at AC	230V	kA	100	
	400V	kA	100	
	440V	kA	100	
	500V	kA	100	
	690V	kA	10	
	Maximum short-circuit current breaking capacity ( $I_{cu}$ ) at AC	230V	kA	100
400V		kA	100	
440V		kA	100	
500V		kA	100	
690V		kA	10	
IEC Utilization category		A		
<b>Operations</b>				
Mechanical life	cycles	100000		
Electrical life	cycles	100000		
<b>Mechanical features</b>				
Tightening torque for terminals	min	Nm	2.5	
	max	Nm	3	
	min	lbin	22	
	max	lbin	26.5	
Conductor section	AWG/Kcmil	min	16	
		max	8	
	Flexible w/o lug conductor section	min	mm <sup>2</sup>	1
		max	mm <sup>2</sup>	10
	Flexible c/w lug conductor section	min	mm <sup>2</sup>	1

		max	mm <sup>2</sup>	10
Flexible with insulated spade lug conductor section		min	mm <sup>2</sup>	1
		max	mm <sup>2</sup>	10
Screwdriver				PH2
Cable stripping length	main circuit	mm		12
<b>Ambient conditions</b>				
Temperature				
Operating temperature				
		min	°C	-20
		max	°C	+60
Storage temperature				
		min	°C	-50
		max	°C	+80
Compensation temperature				
		min	°C	-20
		max	°C	+50
Max altitude			m	3000
Operating position	allowable			Any
Fixing				Screw / DIN rail 35mm
Weight			g	390
<b>UL technical data</b>				
Motor Disconnect				
	at 480V	kA		30
	at 600V	kA		30
	protection			Fuse or CB
Group Motor Installation				
	at 480V	kA		30
	at 600V	kA		30
	protection			Fuse or CB
Tap Conductor Protection				
	at 480Y/277V	kA		30
	at 600Y/347V	kA		30

**Dimensions**



**Wiring diagrams**



**Certifications and compliance**

Certifications

CSA C22.2 n° 60947-4-1

IEC/EN 60947-1

IEC/EN 60947-2

IEC/EN 60947-4-1

UL60947-4-1

Compliance

cULus

EAC

ETIM classification

ETIM 8.0

EC000074 -  
Motor protection  
circuit-breaker