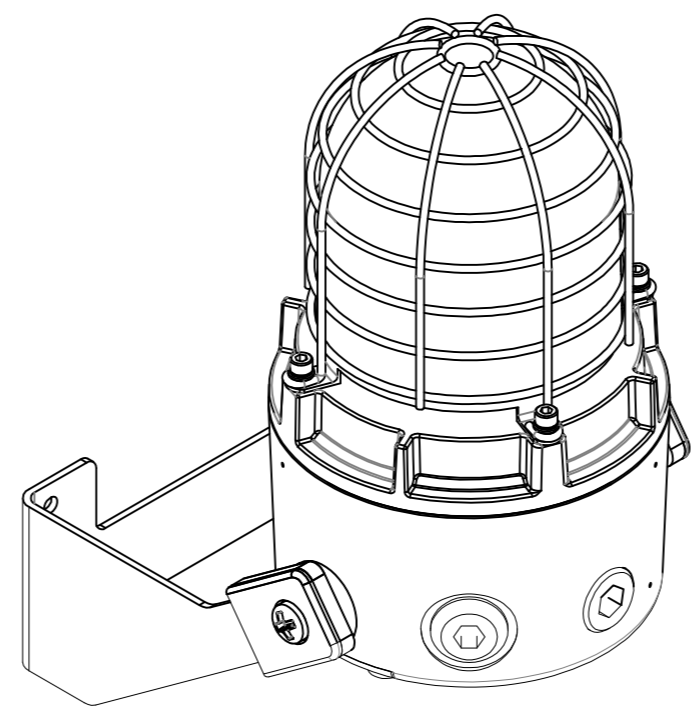
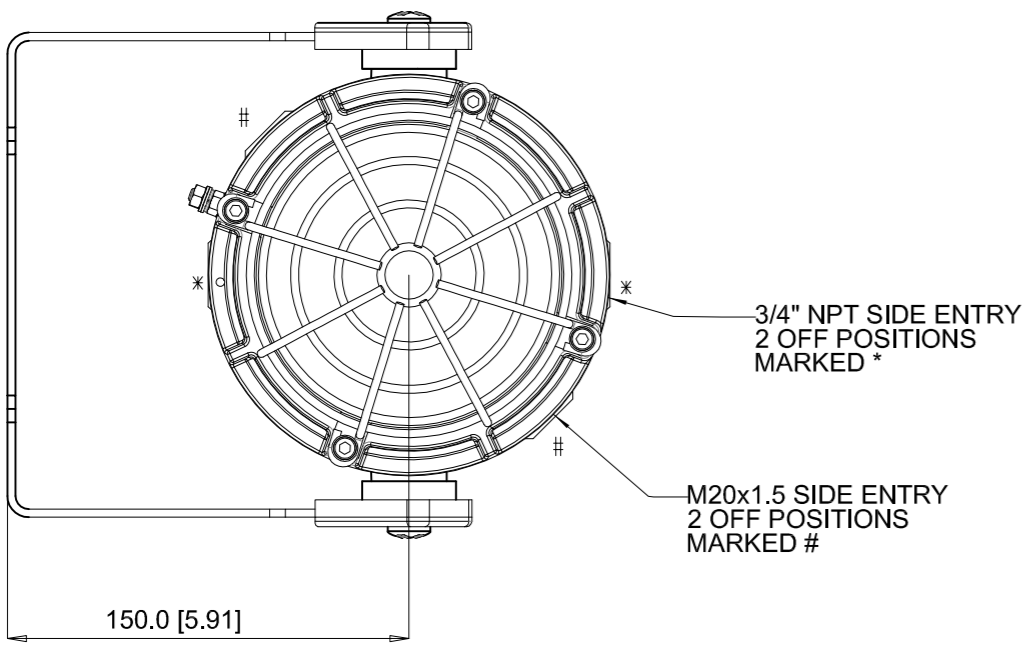
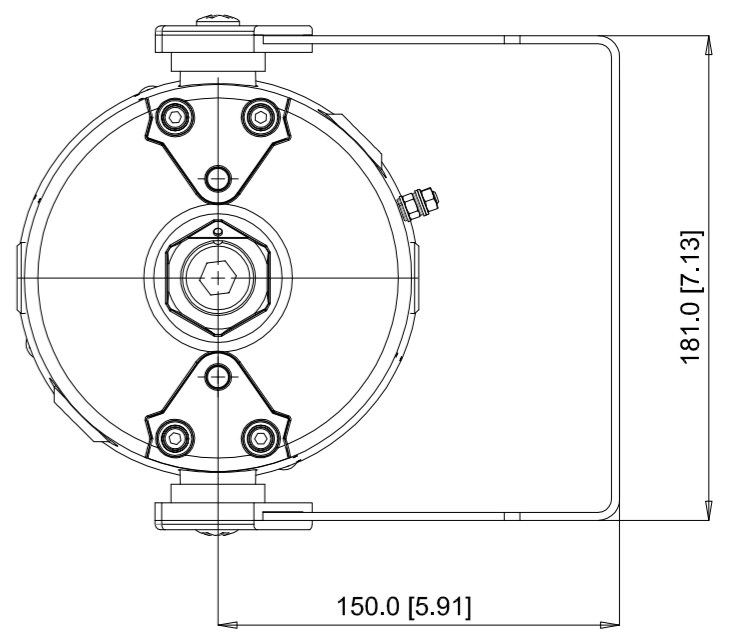
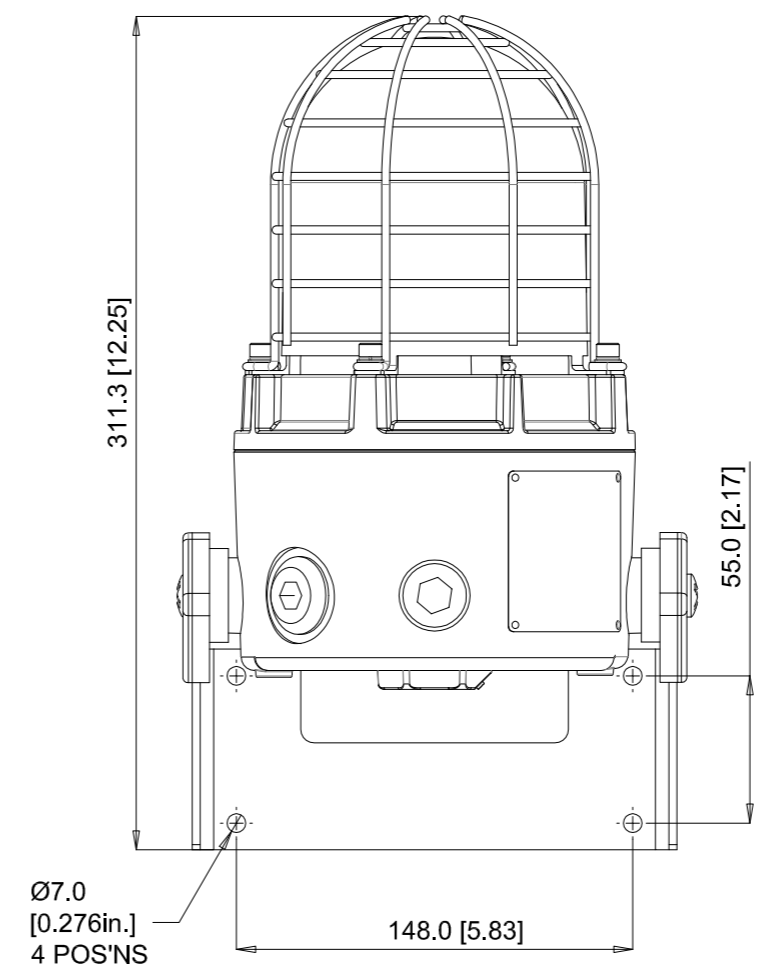
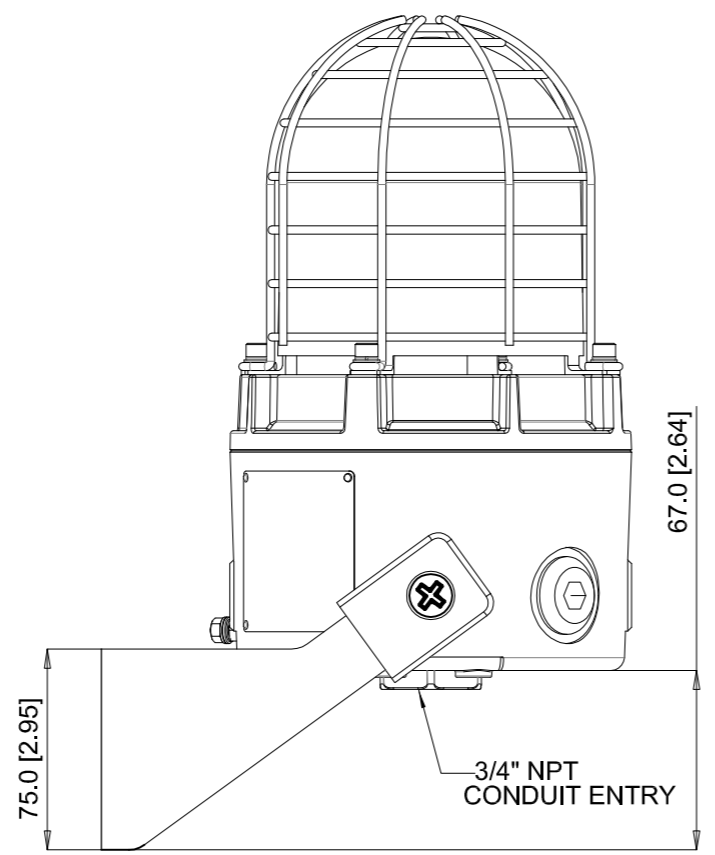
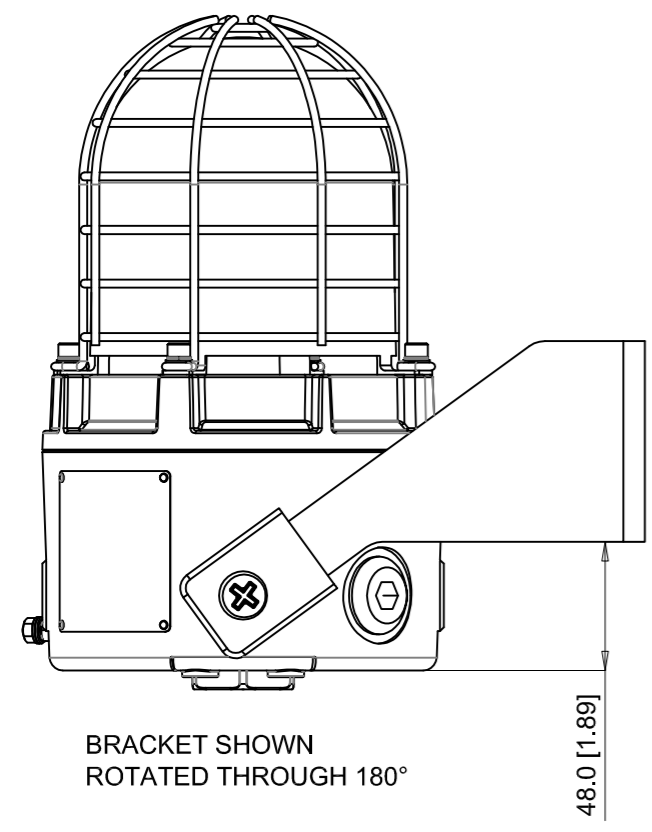


ISSUE	MOD No.	REASON - INITIAL - DATE
1		INTRODUCTION RSR 05-07-2018
2		BRACKET SHOWN ROTATED CORRECTED DESCRIPTION RSR 21-01-2019



E2S PART No.	DESCRIPTION	DATA REFERENCE
D1xB2XH1	D1xB2 10J XENON BEACON PUBLIC MODE UL1971	1-21-200
D1xB2XH2	D1xB2 21J XENON BEACON PUBLIC MODE UL1971	1-21-201
D1xB2X05	D1xB2 5J XENON BEACON PRIVATE MODE UL1638	1-21-202
D1xB2X10	D1xB2 10J XENON BEACON PRIVATE MODE UL1638	1-21-203
D1xB2X15	D1xB2 15J XENON BEACON PRIVATE MODE UL1638	1-21-204
D1xB2X21	D1xB2 21J XENON BEACON PRIVATE MODE UL1638	1-21-205
D1xB2LD2	D1xB2 LED BEACON	1-21-206
SP77-0001	BRACKET ACCESSORY	



DRAWING TO BS8888:2000 GEOMETRIC TOLERANCES TO ISO1101:1983 LINEAR DIMENSIONAL TOLS ANGULAR DIMENSIONAL TOLS	DRAWN R.S.RAIT	DATE 05-07-2018	SURFACE FINISH	WEIGHT (kg)	THIS DRAWING AND ANY INFORMATION OR DESCRIPTIVE MATTER THEREIN IS COMMUNICATED IN CONFIDENCE AND IS THE COPYRIGHT PROPERTY OF EUROPEAN SAFETY SYSTEMS LTD. NEITHER THE WHOLE OR ANY EXTRACT MAY BE DISCLOSED, LOANED, COPIED OR USED FOR MANUFACTURING OR TENDERING PURPOSES WITHOUT THEIR WRITTEN CONSENT. EUROPEAN SAFETY SYSTEMS LTD. AS PER LATEST DATE OF ISSUE SHOWN ABOVE	 EUROPEAN SAFETY SYSTEMS LTD IMPRESS HOUSE MANSSELL ROAD ACTON LONDON W3 7QH WWW.E2S.COM	ALL DIMENSIONS IN MM IF IN DOUBT, ASK - DO NOT SCALE	 A2
	CHECKED R.N.POTTS	DATE 05-07-2018	MATERIAL	TITLE D1xB2 WITH BRACKET ACCESSORY OUTLINE DRAWING				
	APPROVED R.N.POTTS	DATE 05-07-2018	ALTERNATIVE MATERIAL	SCALE 1:1			SHEET 1 OF 1	