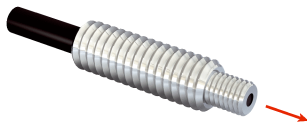


LL3-TK77

LL3

FIBERS

SICK
Sensor Intelligence.



Ordering information

Type	Part no.
LL3-TK77	5313035

Other models and accessories → www.sick.com/LL3

Detailed technical data

Features

Device type	Fibers
Functional principle	Through-beam system
Functional principle detail	Consisting of a sender and a receiver
For fiber-optic sensor	GLL170(T), WLL180, WLL24 Ex, WLL80
Fiber length	2,000 mm
Fiber material	Polymethylmethacrylat (PMMA)
Jacket material	Polyethylen (PE)
Fiber head material	Copper-zinc alloy (CuZn)
Outer diameter, fiber-optic cable connection	2.2 mm
Fiber-optic cable cuttable	✓
Thread diameter (housing)	M4
Fiber-optic head design	Threaded sleeve
Fiber arrangement	Monofiber
Core structure	Ø 1,0 mm Monofiber
Angle of dispersion < 60°	No
Compatibility with infrared light (1,450 nm)	No
Application	High flexible (static)
Diameter/thread size from 2 mm taper	≥ 2.6 mm
Length of taper	≥ 3 mm
Highly flexible/elastic fibers (bend radius 1–4 mm)	Yes
Adapter end sleeves required	No
Angle of dispersion	60°
Integrated lens	No
Minimal object diameter	0.2 mm ¹⁾
Included with delivery	Mounting, 4 x M4 hexagon nut, 4 x washer, FC fiber cutter (5304141)
Compatibility tip adapters	Yes
Special features	Highly-flexible, standard

¹⁾ Minimum detectable object was determined at optimum measuring distance and optimum setting.

Mechanics/electronics

Bend radius, fibre-optic cable	2 mm
---------------------------------------	------

Ambient operating temperature	-40 °C ... +70 °C
--------------------------------------	-------------------

Classifications

ECLASS 5.0	27270905
ECLASS 5.1.4	27270905
ECLASS 6.0	27270905
ECLASS 6.2	27270905
ECLASS 7.0	27270905
ECLASS 8.0	27270905
ECLASS 8.1	27270905
ECLASS 9.0	27270905
ECLASS 10.0	27270905
ECLASS 11.0	27270905
ECLASS 12.0	27270905
ETIM 5.0	EC002651
ETIM 6.0	EC002651
ETIM 7.0	EC002651
ETIM 8.0	EC002651
UNSPSC 16.0901	39121528

Sensing ranges with WLL80

Operating mode 16 µs	310 mm
Operating mode 70 µs	915 mm
Operating mode 250 µs	1,415 mm
Operating mode 500 µs	1,770 mm
Operating mode 1 ms	2,010 mm
Operating mode 2 ms	2,710 mm
Operating mode 8 ms	3,600 mm

Sensing ranges with WLL180T

Operating mode 16 µs	220 mm
Operating mode 70 µs	650 mm
Operating mode 250 µs	1,200 mm
Operating mode 2 ms	2,750 mm
Operating mode 8 ms	4,000 mm
Note	Sensing ranges related to fiber-optic sensors with type of light: visible red light

Sensing ranges with GLL170

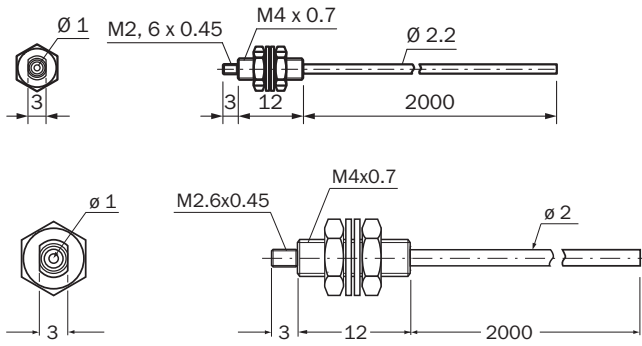
Operating mode 250 µs	420 mm
------------------------------	--------

Sensing ranges with GLL170T

Operating mode 50 µs	450 mm
Operating mode 250 µs	760 mm

Dimensional drawing (Dimensions in mm (inch))

LL3-TK77



SICK AT A GLANCE

SICK is one of the leading manufacturers of intelligent sensors and sensor solutions for industrial applications. A unique range of products and services creates the perfect basis for controlling processes securely and efficiently, protecting individuals from accidents and preventing damage to the environment.

We have extensive experience in a wide range of industries and understand their processes and requirements. With intelligent sensors, we can deliver exactly what our customers need. In application centers in Europe, Asia and North America, system solutions are tested and optimized in accordance with customer specifications. All this makes us a reliable supplier and development partner.

Comprehensive services complete our offering: SICK LifeTime Services provide support throughout the machine life cycle and ensure safety and productivity.

For us, that is “Sensor Intelligence.”

WORLDWIDE PRESENCE:

Contacts and other locations –www.sick.com