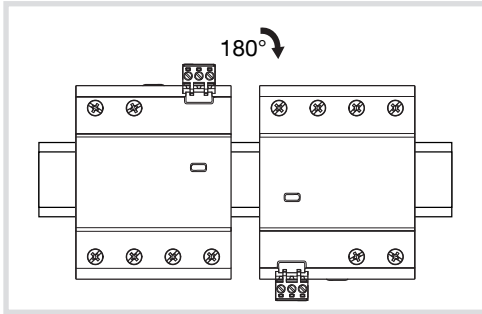
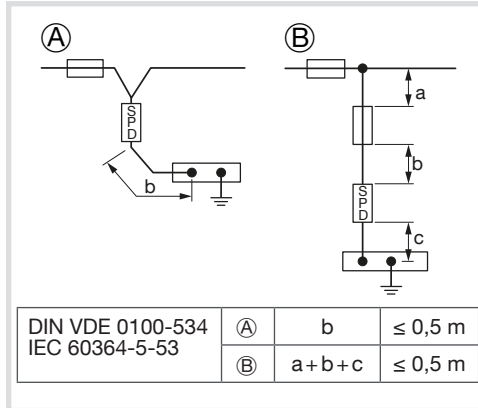


- (DE) Überspannungsableiter
- (EN) Surge protective device
- (FR) Parafoudre
- (PL) Ogranicznik przepięć (SPD)
- (PT) Limitador de sobretensão
- (CS) Kombinovaný svodič přepětí
- (EL) Αντικεραυνικό
- (ES) Pararrayos

SPA212, SPA412 (TT/TN-S), SPA312 (TN-C)



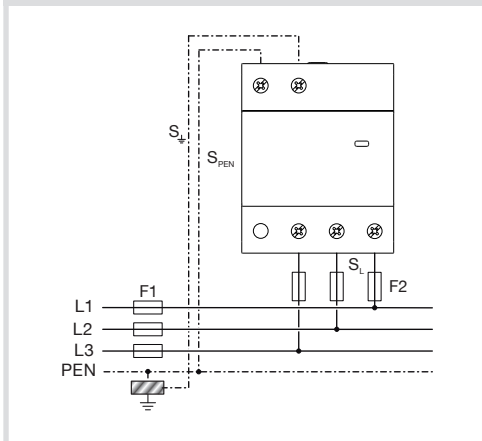
EN 61643-11 IEC 61643-11	T1+T2+T3
U_n	240/415V (50/60Hz)
U_c	264V
Humidity	5%...95%
9°C	-40/+85°C
Ports	1
IP code	20 (built in)
max parallel ---	160A gG
$I_{\text{max}} (8/20 \mu\text{s})$	50 kA
U_{oc}	6 kV



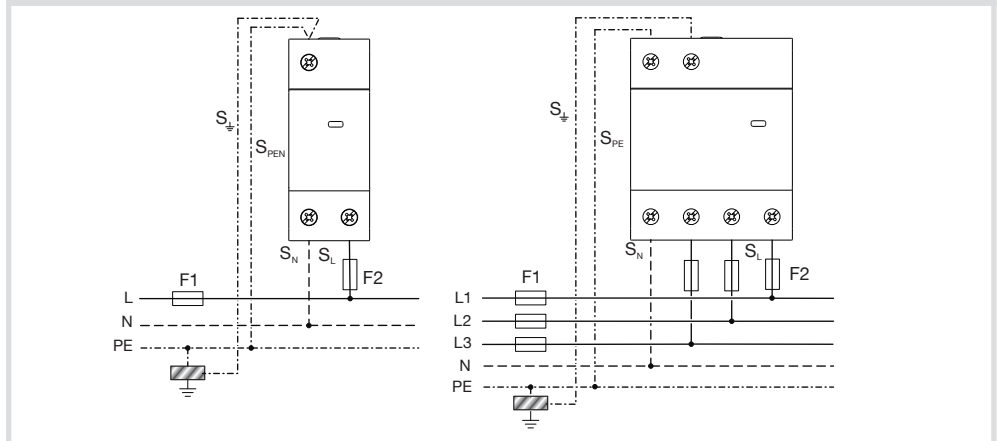
3 Nm (2.5-16 mm ²) 4.5 Nm (25-35 mm ²)	
min. L, N, PE, ---	2,5 mm ²
max. L, N, PE, ---	25 mm ² 35 mm ²

	L x W x H (mm)	I_{imp} (10/350 μs) L-N/N-PE	I_n (8/20 μs)	U_p	I_{scrr}	I_{pe}
SPA212	76.6x36x99	12.5kA/25kA	12.5kA/25kA	L-N ≤ 1,5 kV N-PE ≤ 1,5 kV	25kA _{rms} $I_{\text{fi}} (N-PE) = 100A_{\text{rms}}$	< 10 μA
SPA312	76.6x72x99	12.5kA	12.5kA	L-PEN ≤ 1,5kV	25kA _{rms}	-
SPA412	76.6x72x99	12.5kA/50kA	12.5kA/50kA	L-N ≤ 1,5 kV N-PE ≤ 1,5 kV	25kA _{rms} $I_{\text{fi}} (N-PE) = 100A_{\text{rms}}$	< 10 μA

TNC (SPA312)



TT/TNS (SPA212, SPA412)

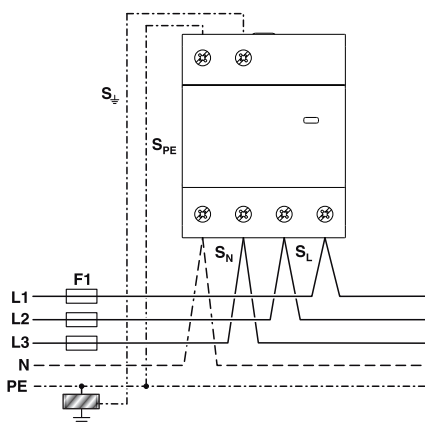


Backup Fuse

F1 ---	$F1 \leq 160\text{A gG}$ ↓ ---
F2 ---	$F1 > 160\text{A gG}$ ↓ $F2 \leq 160\text{A gG}$

F1 A/gG	F2 A/gG	$S_L = S_N$ mm ²	$S_{\text{PE(N)}}/S_{\text{---}}$ mm ²
25		6	16
35		6	16
40		6	16
50		10	16
63		10	16
80		10	16
100		10	16
125		16	16
160		25	25
> 160	160	25	25

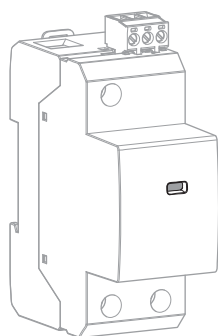
V-Type Connection



F1 A/gG	$S_L = S_N$ mm ²	S_{\perp} mm ²	$S_{PE(N)}$ mm ²
25 40	6 6	16 16	10 10
50	10	16	10
63 80	16 16	16 16	16 16

PZ2
0.5-0.6 Nm

U max./I max. AC :	250V/1A
U max./I max. DC :	125V/1A
0,2-2,5 mm ² AWG 24-12	
<p>7 mm</p>	<p>7 mm</p>



Grün/Green/Vert/Zielony/
Verde/Zelená/πράσινο/Verde



OK

Rot/Red/Rouge/Czerwony/
Vermelho/Červená/κόκκινο/Rojo



~~OK~~



Replace