

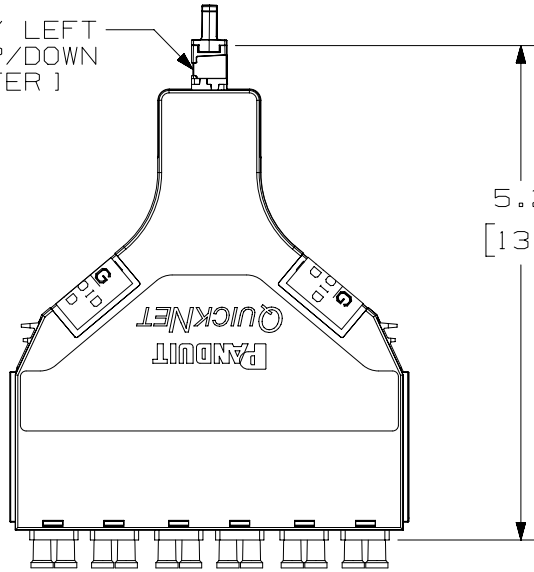
THIS COPY IS PROVIDED ON A RESTRICTED BASIS AND IS NOT TO BE USED IN ANY WAY DETRIMENTAL TO THE INTERESTS OF PANDUIT CORP.

FIBER POSITION
1 2 3 4 5 6 7 8 9 10 11 12



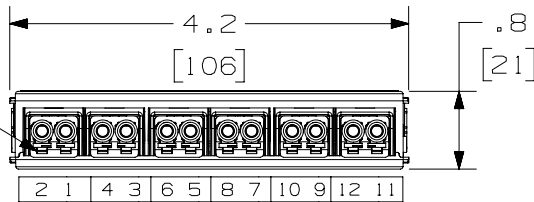
LEFT VIEW

MPO KEY LEFT
[KEY UP/DOWN
ADAPTER]



TOP VIEW

5.2
[131]



LC CONNECTOR
LATCH DOWN

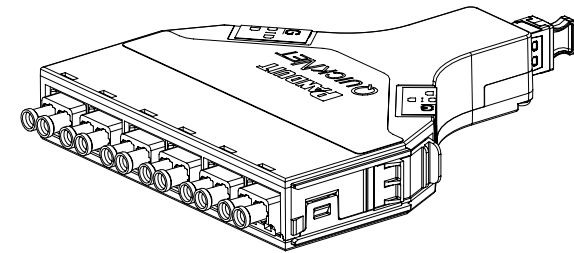
LC PORT POSITION

2 1 | 4 3 | 6 5 | 8 7 | 10 9 | 12 11

UNIVERSAL 12F - CASSETTE (U)												
MPO END / LC END	FIBER POSITION FROM MPO END TO LC END											
MPO POSITION	1	2	3	4	5	6	7	8	9	10	11	12
LC POSITION	12	1	11	2	10	3	9	4	8	5	7	6

NOTES:

1. CASSETTE MODULE WEIGHT:
2.4oz [69.0g]
2. DIMENSIONS IN BRACKETS ARE METRIC.

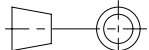


TITLE		QUICKNET SFQ CASSETTE, 12 FIBER DUPLEX LC TO MPO CASSETTE METHOD U [UNIVERSAL]	
CUSTOMER DRAWING		PANDUIT	
ITEM REVISION NAME	M02947YB/01		
DATASET FILE NAME	M02947YB_DC/01C	PART NO.	
UNLESS OTHERWISE SPECIFIED, DIMENSIONAL TOLERANCES ARE: IN [mm]		SEE SHEET 2	
.x ±	.xxx ± .010 [0.3]	DRAWING NUMBER:	
.xx ± .03 [0.8]	ANGLES ±	M02947YB-DC	
THIRD ANGLE PROJECTION		SHT 1 OF 2	
DRAWN BY	DATE	CHK	SCALE
SAT	06-26-18	PJI	NONE
REV	DATE	BY	CHK
01C	8/12/21	JSP	JGD
01B	05-30-19	SAT	DWW
01A	06-28-18	SAT	JGD
DESCRIPTION		ECN	
C. CORRECTED FIBER TABLE B. ADDED OM5 CASSETTES		M02947YB-DC	
A. ADDED P/N FQ9N-12-LAU.		M02947YB-DC	
RELEASED TO PRODUCTION		M02947YB-DC	
DESCRIPTION		ECN	

THIS COPY IS PROVIDED ON A RESTRICTED BASIS AND IS NOT TO BE USED IN ANY WAY DETRIMENTAL TO THE INTERESTS OF PANDUIT CORP.

UNIVERSAL 12F - CASSETTE			
PANDUIT PART NUMBER	FIBER TYPE	PERFORMANCE LEVEL	ADAPTER COLOR (SPLIT SLEEVE)
FQXN-12-10U	OM3	STANDARD LOSS	AQUA (ZIRCONIA)
FQZN-12-10U	OM4		BLUE (ZIRCONIA)
FQ9N-12-10U	OS2		APC GREEN (ZIRCONIA)
FQ9N-12-LAU	OS1/OS2		
FQX0-12-10U	OM3	OPTIMIZED LOSS	AQUA (ZIRCONIA)
FQZ0-12-10U	OM4		LIME GREEN (ZIRCONIA)
FQW0-12-10U	OM5		
FQXA-12-10U	OM3	ULTRA LOW LOSS	AQUA (ZIRCONIA)
FQZA-12-10U	OM4		
FQSA-12-10U	OM4+		
FQWA-12-10U	OM5		LIME GREEN (ZIRCONIA)

					REFER TO SHEET 1 FOR REVISION HISTORY

TITLE QUICKNET SFQ CASSETTE, 12 FIBER DUPLEX LC TO MPO CASSETTE METHOD U [UNIVERSAL]	
CUSTOMER DRAWING	
ITEM REVISION NAME M02947YB/01	PANDUIT
DATASET FILE NAME M02947YB_DC/01C	
UNLESS OTHERWISE SPECIFIED, DIMENSIONAL TOLERANCES ARE: IN [mm]	
.x ± .03 [0.8]	.xxx ± .010 [0.3]
ANGLES ±	
	THIRD ANGLE PROJECTION
DRAWING NUMBER: M02947YB-DC	

REV	DATE	BY	CHK	APR	DESCRIPTION	ECN	DRAWN BY	DATE	CHK	SCALE	PART NO.	SIZE
							SAT	06-26-18	PJI	NONE	SHT 2 OF 2	A