



Accessories for
level control
relays and
probes
31S11

Product designation

Product type designation

Relay outputs

Contact ratings

10A - 400VAC

Connections

Terminals type

Screw

Tightening torque for terminals

max	Nm	0.8
max	Ibin	7.1

Conductor cross section

AWG/Kcmil

Max	AWG	2 x 14
-----	-----	--------

IEC

Max	mm ²	2 x 2.5
-----	-----------------	---------

Housing

Mounting

on 35mm DIN rail
or Plug-in
housing

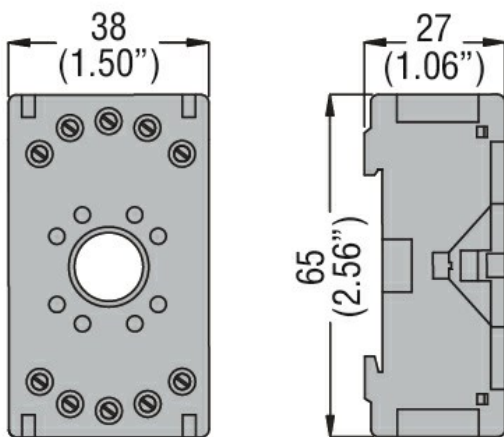
Dimensions (W x H x D)

mm	38 x 65 x 27
----	--------------

Weight

g	64
---	----

Dimensions



Certifications and compliance

Compliance

/

Certificates

EAC

ETIM classification

ETIM 8.0

EC001456 -
Relay socket