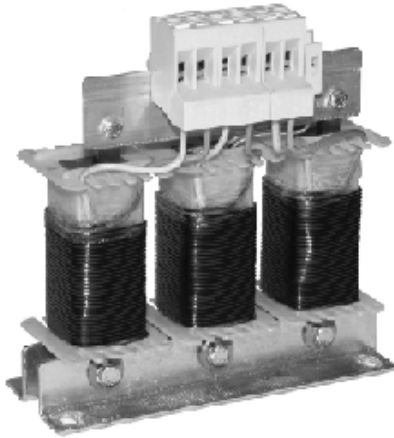




0017555514040

Altivar

VW3 A5 101 ... A5 108



⚠ ⚠ DANGER

HAZARD OF ELECTRIC SHOCK, EXPLOSION, OR ARC FLASH

- Read and understand this manual and the manuals of the drive before installing this option.
- Installation must be performed by qualified personnel
- The user is responsible for compliance with all international and national electrical code requirements with respect to grounding of all equipment.
- Many parts of this drive, including the printed circuit boards, operate at the line voltage. DO NOT TOUCH. Use only electrically insulated tools.
- DO NOT touch unshielded components or terminal strip screw connections with voltage present.
- DO NOT short across terminals PA/+ and PC/- or across the DC bus capacitors.
- Before servicing the drive:
 - Disconnect all power, including external control power that may be present.
 - Place a "DO NOT TURN ON" label on all power disconnects.
 - Lock all power disconnects in the open position.
 - WAIT 15 MINUTES to allow the DC bus capacitors to discharge.
 - Measure the voltage of the DC bus between the PA/+ and PC/- terminals to ensure that the voltage is less than 42 Vdc.
 - If the DC bus capacitors do not discharge completely, contact your local Schneider Electric representative. Do not repair or operate the drive.
- Install and close all covers before applying power or starting and stopping the drive.

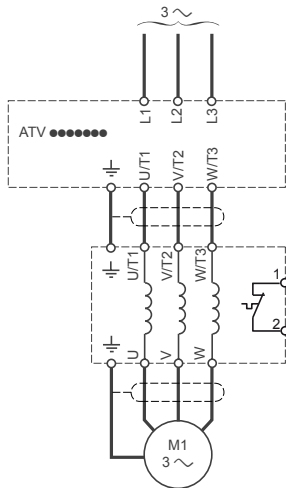
Failure to follow these instructions will result in death or serious injury.

Electrical equipment should be installed, operated, serviced, and maintained only by qualified personnel. No responsibility is assumed by Schneider Electric for any consequences arising out of the use of this product.

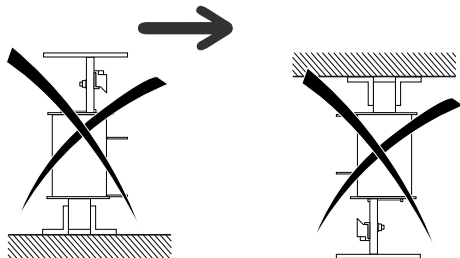
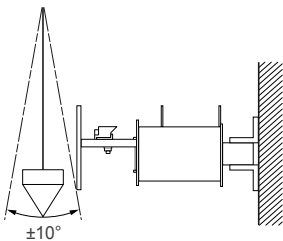
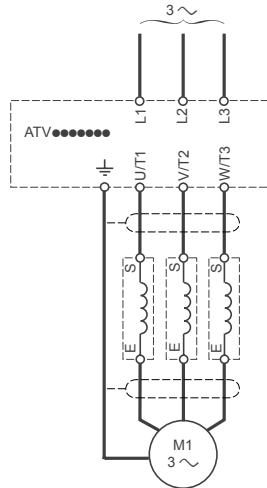
© 2010 Schneider Electric. All Rights Reserved.

VW3 A5 101	12 A
VW3 A5 102	48 A
VW3 A5 103	90 A
VW3 A5 104	3 x 215 A
VW3 A5 105	3 x 314 A
VW3 A5 106	3 x 481 A
VW3 A5 107	3 x 759 A
VW3 A5 108	3 x 1188 A

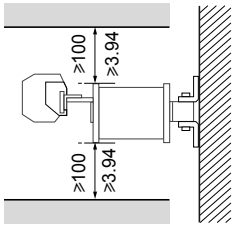
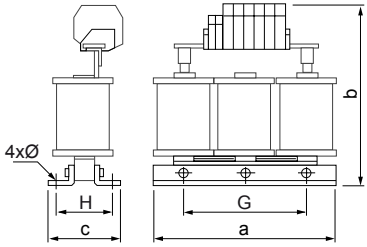
VW3 A5 101 ... 103



VW3 A5 104 ... 108

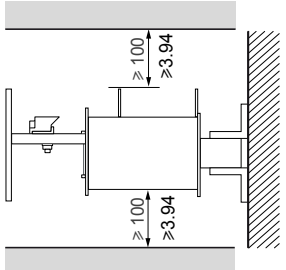
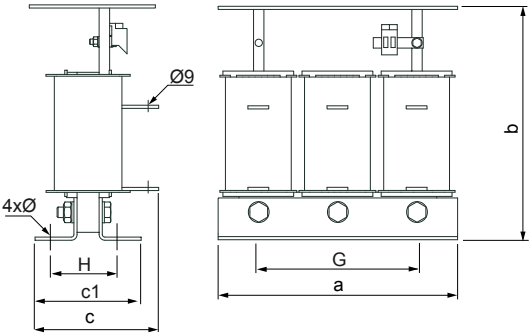


VW3 A5 101 ... 102



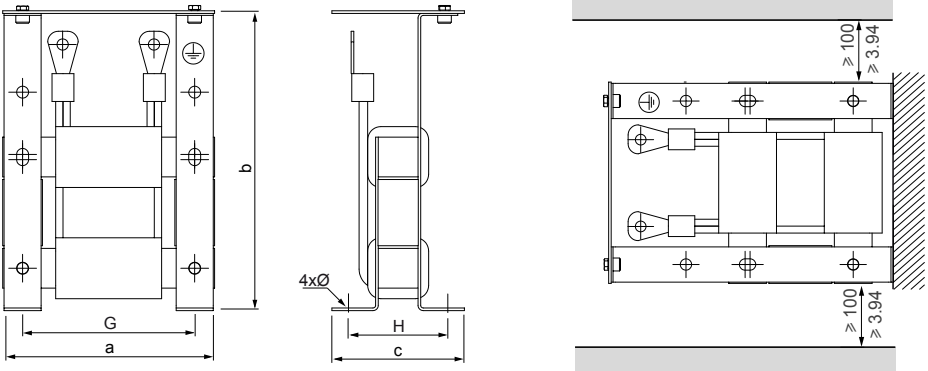
	a		b		c		G		H		Ø	
	mm	in	mm	in	mm	in	mm	in	mm	in	mm	in
VW3 A5 101	190	7.48	210	8.27	90	3.54	170	6.69	45	1.77	8 x 12	0.31 x 0.47
VW3 A5 102	190	7.48	235	9.25	120	4.73	170	6.69	48	1.89	8 x 12	0.31 x 0.47

VW3 A5 103

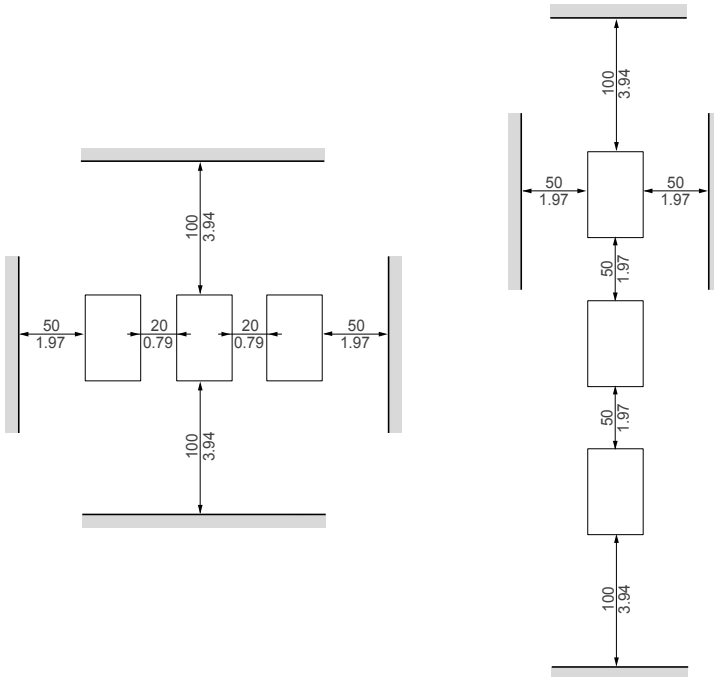


	a		b		c		c1		G		H		Ø	
	mm	in	mm	in	mm	in	mm	in	mm	in	mm	in	mm	in
VW3 A5 103	234	9.21	226	9.21	126	4.96	101	3.98	180	7.09	79	3.11	8 x 13	0.31 x 0.51

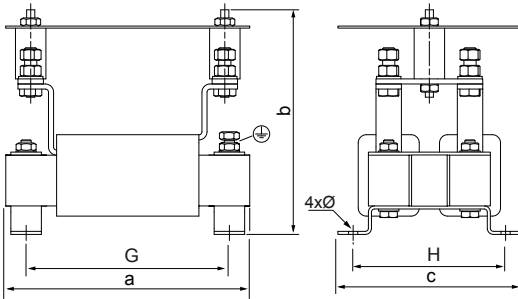
VW3 A5 104 ... 105



	a		b		c		G		H		Ø	
	mm	in	mm	in	mm	in	mm	in	mm	in	mm	in
VW3 A5 104	170	6.69	250	9.84	100	3.94	150	5.91	75	2.95	9 x 18	0.35 x 0.71
VW3 A5 105	210	8.27	250	9.84	110	4.33	175	6.89	75	2.95	9 x 13	0.35 x 0.51



VW3 A5 106 ... 108



	a		b		c		G		H		Ø	
	mm	in	mm	in	mm	in	mm	in	mm	in	mm	in
VW3 A5 106	245	9.65	250	9.84	200	7.87	225	8.86	175	6.89	9	0.35
VW3 A5 107	320	12.60	250	9.84	220	8.66	275	10.83	200	7.87	9	0.35
VW3 A5 108	370	14.57	250	9.84	230	9.06	325	12.80	200	7.87	9	0.35

