

|   |                      |     |          |  |
|---|----------------------|-----|----------|--|
| Product designation                                       |                      |     |          | Enclosed rotary cam switch             |
| Product type designation                                  |                      |     |          | GN315                                  |
| <b>General characteristics</b>                            |                      |     |          |  |
| Switching diagram   |                      |     |          | 110 - Multi-step<br>0-1-2-3-4-5 1 pole |
| N° of elements  |                      |     |          | 3                                      |
| Mounting form   |                      |     |          | L - Metal enclosure with black handle  |
| <b>Contact characteristics</b>                            |                      |     |          |  |
| Rated insulation voltage $U_i$                            | IEC/EN               | V   | 690      |  |
|   | UL/CSA               | V   | 600      |  |
| Rated impulse withstand voltage $U_{imp}$                 |                      | kV  | 8        |  |
| Conventional free air thermal current $I_{th}$            | IEC/EN               | A   | 315      |  |
|   | UL/CSA               | A   | 255      |  |
| Rated operational voltage                                 |                      | V   | 690      |  |
| Rated operational impulse voltage                         |                      | kV  | 6        |  |
| Maximum fuse size for short-circuit protection $I_n$ (gG) | 10kA                 | A   | 315      |  |
|   | 15kA                 | A   | 315      |  |
| Rated short time current $I_{cw}$                         | 1s                   | A   | 5200     |  |
| Operational current $I_e$ IEC/EN<br>AC1/AC21A             |                      | A   | 315      |  |
| Rated operational power in AC<br>Three-phase AC-3         | 220/230V             | kW  | 37       |  |
|   | 380/440V             | kW  | 55       |  |
|   | 500/690V             | kW  | 69       |  |
| Single-phase AC-3   | 110V                 | kW  | 11       |  |
|   | 220/230V             | kW  | 22       |  |
|   | 380/440V             | kW  | 30       |  |
| Rated operational current in DC<br>DC21A                  | 48V                  | A   | 200      |  |
|   | 60V                  | A   | 200      |  |
|   | 110V                 | A   | 35       |  |
|   | 220V                 | A   | 2.5      |  |
|   | 440V                 | A   | 0.9      |  |
| Power dissipation   |                      | W   | 64.5     |  |
| <b>Mechanical features</b>                                |                      |     |          |  |
| Terminals screw   |                      |     |          | M10                                    |
| Tightening torque for terminals max                       |                      |     |          | Nm 10                                  |
| Conductor size  | AWG - Rigid cable    |     |          |  |
|   | Max                  | AWG | 1XMCM350 |  |
|   | AWG - Flexible cable |     |          |  |

|                                       |     |                 |                   |
|---------------------------------------|-----|-----------------|-------------------|
| Conductor size (IEC) - Flexible cable | Max | AWG             | 1XMCM350          |
| Conductor size (IEC) - Rigid cable    | Max | mm <sup>2</sup> | 1X185             |
| Mechanical life                       | Max | mm <sup>2</sup> | 1X185             |
|                                       |     | cycles          | 2X10 <sup>5</sup> |

**UL technical data**

|   |      |    |     |
|---|------|----|-----|
| Motor power for direct-on-line control<br>for three-phase motor | 120V | HP | 30  |
|   | 240V | HP | 50  |
|   | 480V | HP | 100 |
|   | 600V | HP | 75  |
| for single-phase motor  | 120V | HP | 15  |
|   | 240V | HP | 30  |

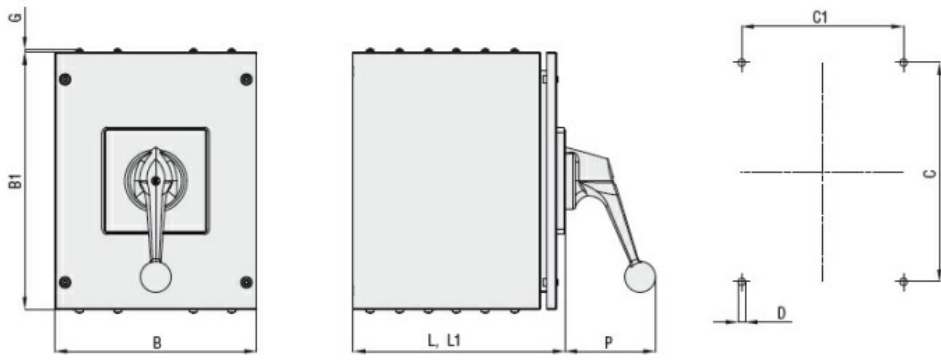
**Ambient conditions**

|                       |     |    |     |
|-----------------------|-----|----|-----|
| Temperature           |     |    |     |
| Operating temperature | min | °C | -25 |
|                       | max | °C | +55 |
| Storage temperature   | min | °C | -40 |
|                       | max | °C | +70 |

**Resistance & Protection**

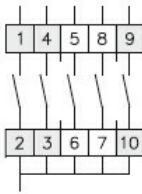
|                     |      |
|---------------------|------|
| Frontal IP degree   | IP54 |
| Terminals IP degree | IP00 |

**Dimensions**



| Series | Enclosure size | Number of elements |       | Dimensions |     |     |     |     |     |   |     |    | Protection degree |
|--------|----------------|--------------------|-------|------------|-----|-----|-----|-----|-----|---|-----|----|-------------------|
|        |                | L                  | L1    | L          | L1  | B   | B1  | C   | C1  | D | G   | P  |                   |
| GN200  | 250x316        | 1 - 3              | 4 - 6 | 162        | 252 | 250 | 316 | 270 | 200 | 9 | 4.5 | 98 | IP54              |
| GN315  |                | 1 - 3              | 4 - 6 | 162        | 252 | 250 | 316 | 270 | 200 | 9 | 4.5 | 98 | IP54              |

**Wiring diagrams**



|   |   |   |   |   |   |
|---|---|---|---|---|---|
| 0 |   |   |   |   |   |
| 1 | X |   |   |   |   |
| 2 |   |   | X |   |   |
| 3 |   |   |   |   | X |
| 4 |   | X |   |   |   |
| 5 |   |   |   | X |   |

110 —

**Certifications and compliance**

Compliance

- IEC/EN/BS 60947-1

---

- IEC/EN/BS 60947-3

---

- IEC/EN/BS 60947-5-1

**ETIM classification**

ETIM 8.0

EC001029 -  
Selector switch,  
complete