



Switch  
disconnecter with  
fuse  
GM

Product designation

Product type designation

Type of fuse

Number of poles

Operating voltage type

Nr. 3  
AC

**Contact characteristics**

IEC Conventional free air thermal current I <sub>th</sub>	A	100
Rated insulation voltage U <sub>i</sub> IEC/EN	V	1000
Rated impulse withstand voltage U <sub>imp</sub>	kV	12

Operating current I<sub>e</sub>

AC21A	400V	A	160
	500V	A	160
	690V	A	160
AC22A	400V	A	160
	500V	A	160
	690V	A	160
AC23A	400V	A	160
	500V	A	160
	690V	A	160

Power dissipation per pole max	W	9
--------------------------------	---	---

Power dissipation per pole without fuse	W	9
---	---	---

Max fuse power dissipation	in open air	W	12
	in enclosure	W	12

Rated operational power AC23A	400V	kW	75
	690V	kW	132

Rated short time current (1s) I <sub>cw</sub> (rms)	kA	5
---	----	---

Short-circuit protection with fuse	Class/A	J/100
------------------------------------	---------	-------

Making capacity AC23A 400V	A	1600
----------------------------	---	------

Breaking capacity AC23A 400V	A	1280
------------------------------	---	------

Mechanical life	cycles	8000
-----------------	--------	------

Electrical life AC21A	cycles	6000
-----------------------	--------	------

**Mechanical features**

Operating position	normal	Vertical plan
	allowable	Any

Fixing	Screw
--------	-------

Terminals	type	Bar
-----------	------	-----

Tightening torque for terminals

max	Nm	13.5
max	Ibin	10

Tightening torque for fuse links bolts

Nm	4
----	---

Tightening torque for terminal lug

Nm	5.5
----	-----

Terminal kit lugs

GMX500

**UL technical data**

UL Standard

UL98

General purpose current rating

A	100
---	-----

Operating voltage max

V	600
---	-----

Horsepower/FLA current three phase motor

240V	HP	30/80
480V	HP	60/77
600V	HP	75/77

Short circuit rating

kA rms	200
--------	-----

Short circuit rating with fuse

Class/A	J/100
---------	-------

**Ambient conditions**

Operating temperature

min	°C	-25
max	°C	55

Storage temperature

min	°C	-40
max	°C	70

Max altitude

m	3000
---	------

**Resistance & Protection**

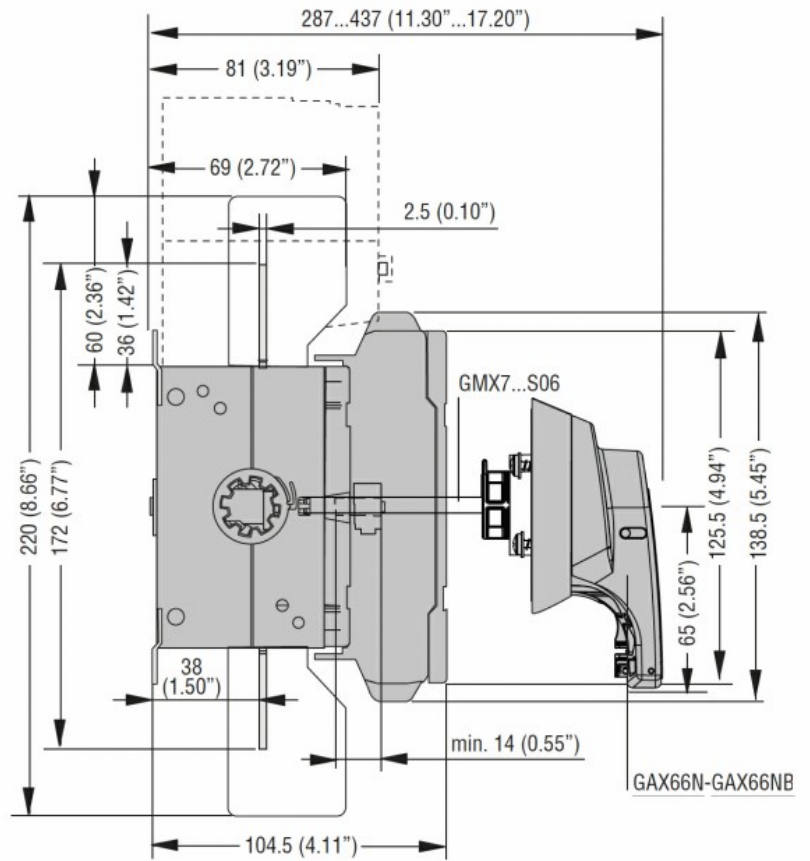
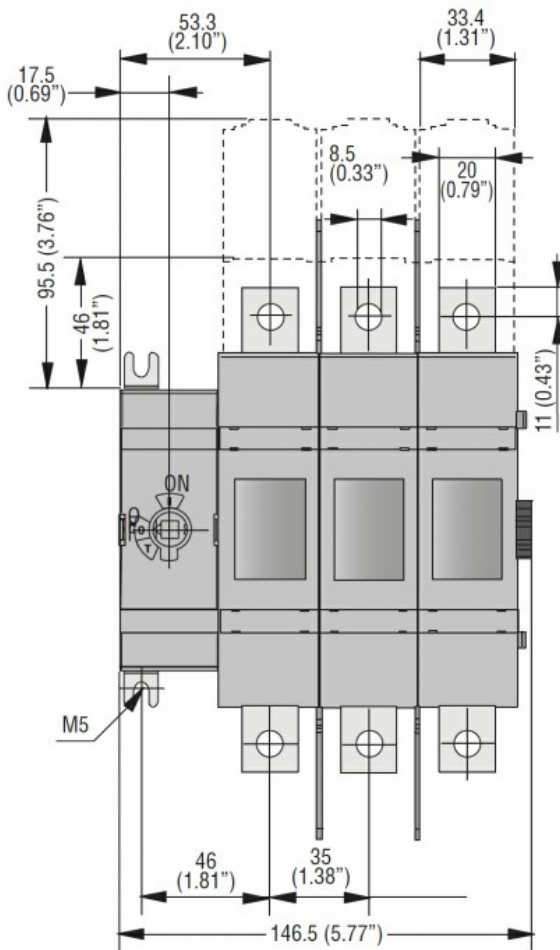
Frontal IP degree

IP20

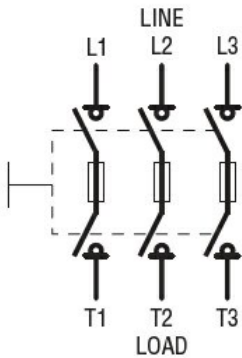
Pollution degree

3

**Dimensions**



### Wiring diagrams



### Certifications and compliance

#### Compliance

IEC/EN 60947-1  
IEC/EN 60947-3

#### Certifications

cULus according to UL98/CSA C22.2 n°4

### ETIM classification

ETIM 8.0

EC000216 -  
Switch  
disconnecter