

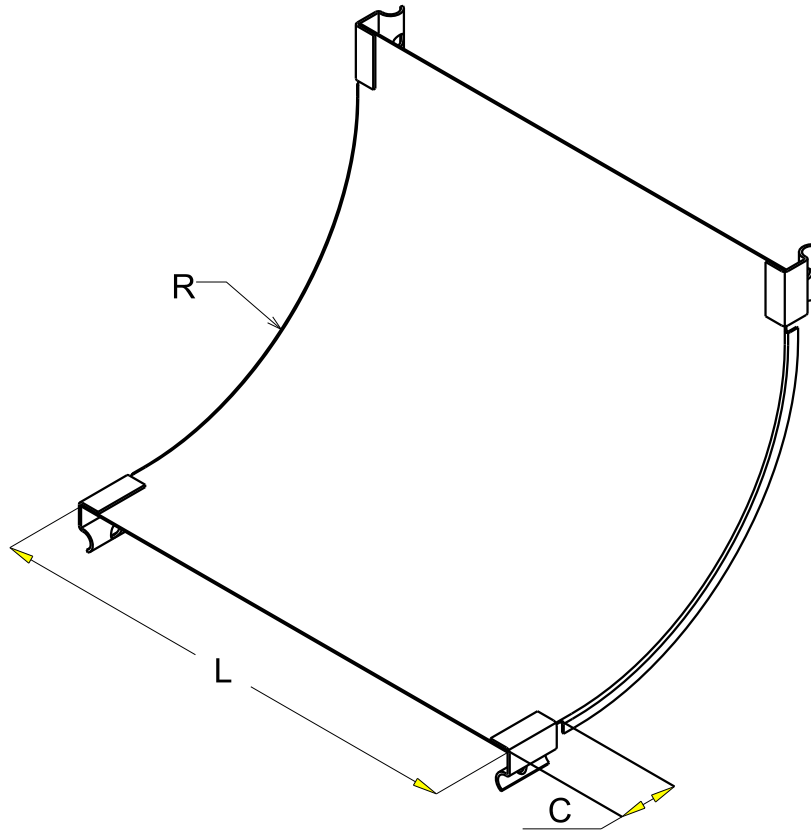
COUV CPL CONC P31 CIR 50 à 600
Cover for inside riser P31 50 to 600

GC
HDG

legrand® | CABLE
MANAGEMENT

FT0542-3

10 16



REF	HAUTEUR	CODE	L /L		A /A		C /C		R /R	
			(mm)	(inch)	(mm)	(inch)	(mm)	(inch)	(mm)	(inch)
P31 CIR 50	25 à 75	342 888	50	(1.97")	0.8	(0.032")	30	(1.18")	20	(0.79")
P31 CIR 75		342 889	75	(2.95")	0.8	(0.032")	30	(1.18")	100	(3.94")
P31 CIR 100		342 890	100	(3.94")	0.8	(0.032")	30	(1.18")	100	(3.94")
P31 CIR 150		342 891	150	(5.91")	0.8	(0.032")	30	(1.18")	100	(3.94")
P31 CIR 200		342 892	200	(7.87")	0.8	(0.032")	30	(1.18")	100	(3.94")
P31 CIR 300		342 893	300	(11.81")	1	(0.039")	30	(1.18")	100	(3.94")
P31 CIR 100	100	343 175	100	(3.94")	0.8	(0.032")	30	(1.18")	100	(3.94")
P31 CIR 150		343 176	150	(5.91")	0.8	(0.032")	30	(1.18")	100	(3.94")
P31 CIR 200		342 894	200	(7.87")	0.8	(0.032")	30	(1.18")	100	(3.94")
P31 CIR 300		342 895	300	(11.81")	1	(0.039")	30	(1.18")	100	(3.94")
P31 CIR 400	25 à 100	342 896	400	(15.75")	1	(0.039")	50	(1.97")	150	(5.91")
P31 CIR 500		342 897	500	(19.69")	1	(0.039")	50	(1.97")	150	(5.91")
P31 CIR 600	50 à 100	343 354	600	(23.62")	1	(0.039")	50	(1.97")	150	(5.91")

Material	Standard	Finishes	Standard
S 235 JR	EN 10 025-2	HDG	Class 6 according to CEI 61537