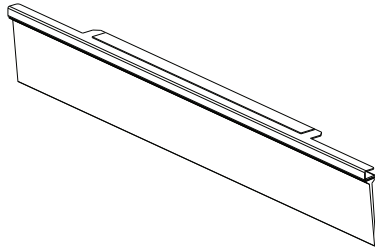
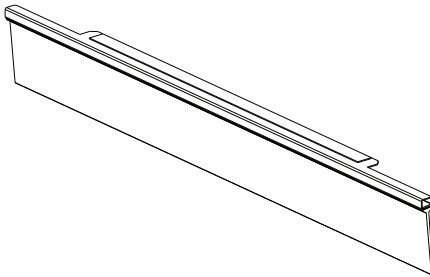


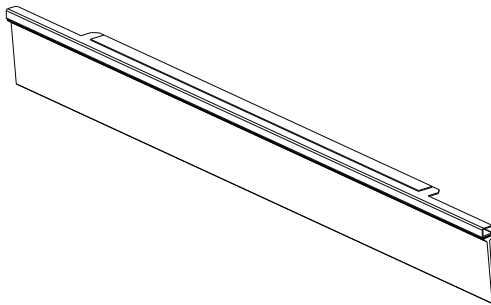
Component Guide



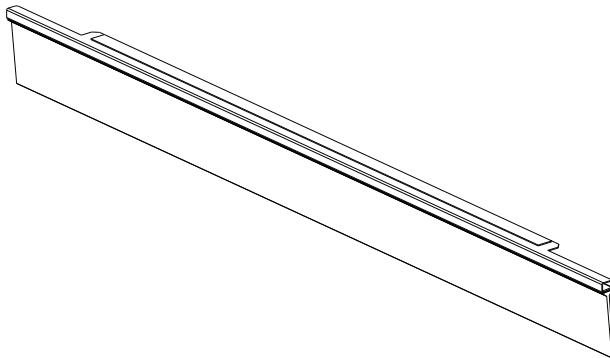
CUCFS06B1
(1) 600mm Floor Seal



CUCFS07B1
(1) 700mm Floor Seal



CUCFS08B1
(1) 800mm Floor Seal

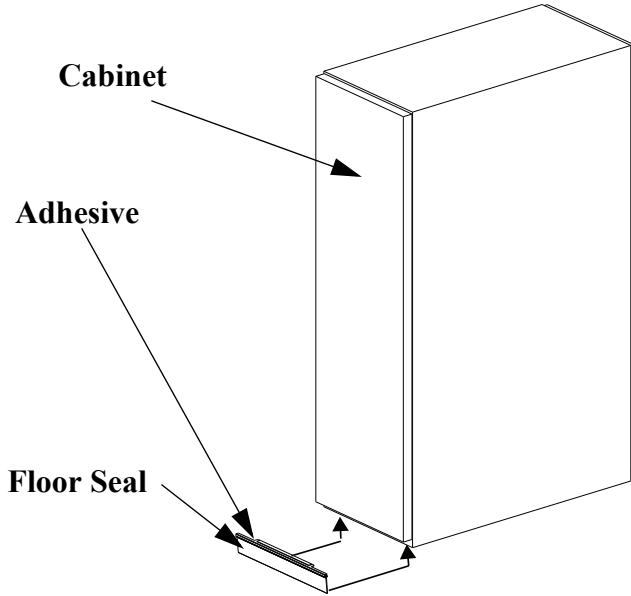


CUCFS10B1
(1) 1000mm Floor Seal

Installation-Adhesive Attached to Cabinet

*Clean surface before applying adhesive.

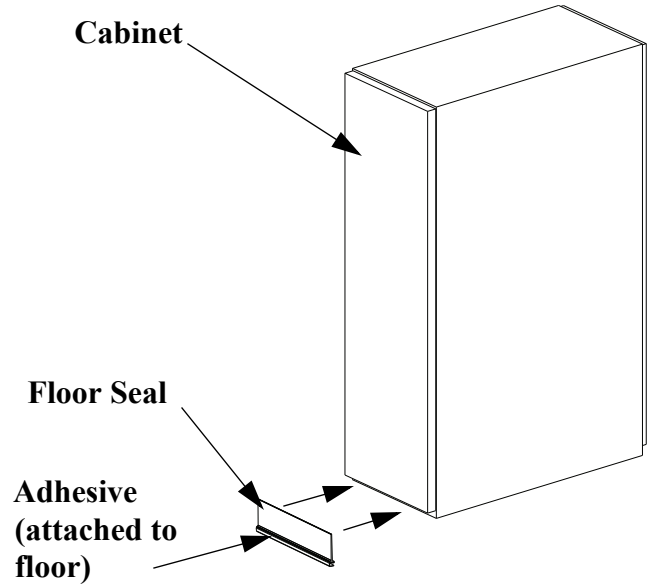
- 1). Remove protective backing from adhesive strip.
- 2). Place adhesive neatly on flat surface across bottom face of the cabinet.
- 3). The free end of the flap may be tucked inward or left out.



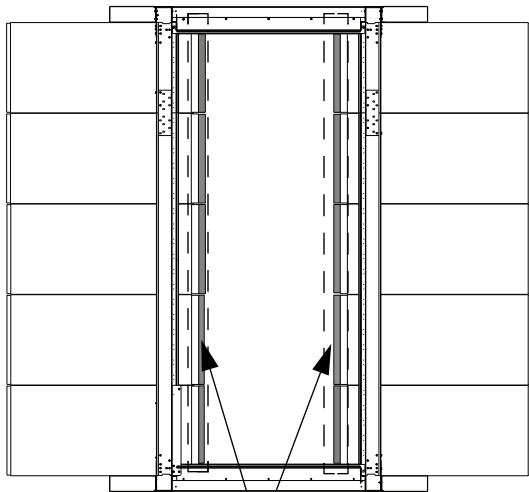
Installation-Adhesive Attached to Floor

*Clean surface before applying adhesive.

- 1). Remove protective backing from adhesive strip.
- 2). Place adhesive neatly on floor to align with the bottom face of the cabinet.
- 3). The free end of the flap must be tucked inward under the cabinet.



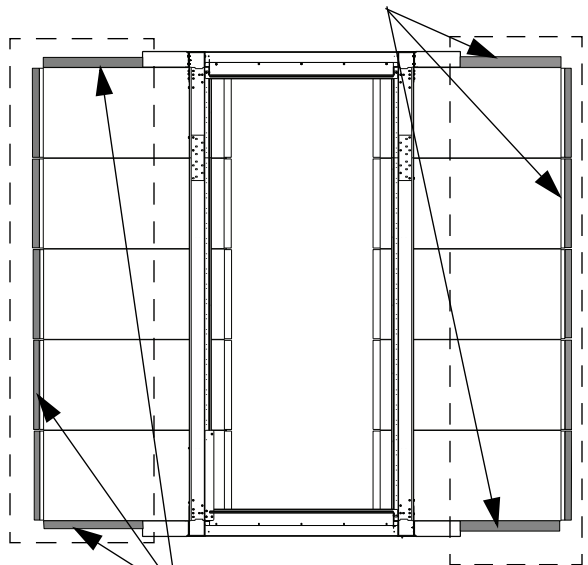
Placement-Cold Aisle Containment



Floor Seal Locations

Placement-Hot Aisle Containment

Floor Seal Locations



Floor Seal Locations