


Part number

# PEW 12565 SM



Wall-mounting plug, PLUSO series, 3 poles + N + PE, 6 h (red), 125 A, 380 ÷ 415 V

## Product description

<b>Product type</b>	Plug Wall-mounting
<b>Series</b>	PEW...SM, PLUSO
<b>Connection type</b>	Screw terminal connection
<b>N. of poles</b>	3 poles + N + 
<b>Clock position</b>	6

## Technical data

<b>Current</b>	125 A
<b>Voltage</b>	380 ÷ 415 V
<b>IP degree of protection</b>	IP67

## Further technical details

<b>Weight</b>	3.868,00 g
<b>Operating temperature range (min, max)</b>	-25°C ... +40°C

## Material properties

<b>Colour</b>	RAL 7035 grey, RAL 3000 red
<b>RoHs conformity</b>	Compliant with exemption 6(c): copper alloy containing up to 4% lead by weight
<b>China RoHs - EFUP</b>	50
<b>REACH SVHC substances</b>	Yes Lead
<b>SCIP number</b>	Ca7de37f-add8-4b77-9861-279c94903ade

## Approvals / Standards

<b>Reference standard</b>	EN 60309-1 and -2
---------------------------	-------------------

## General ordering information

<b>EAN13 code</b>	8015747070645
-------------------	---------------

## Packaging Information

<b>Packaging length</b>	170,00 mm
<b>Packaging height</b>	190,00 mm
<b>Packaging width</b>	400,00 mm
<b>Packaging weight</b>	4,40 kg
<b>Packaging volume</b>	12,92 dm <sup>3</sup>
<b>Packaging description</b>	Carton box
<b>Packaging quantity</b>	1 Pcs
<b>Packaging EAN code</b>	8015747070652

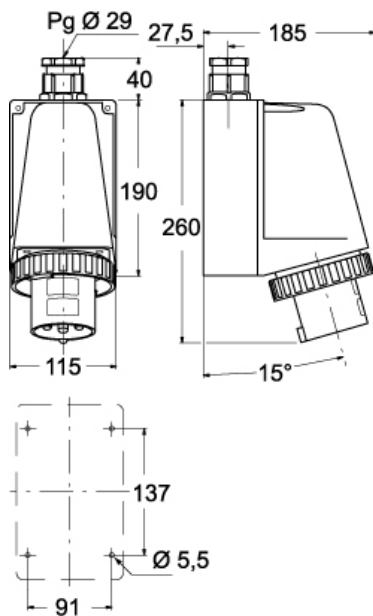
Part number

# PEW 12565 SM

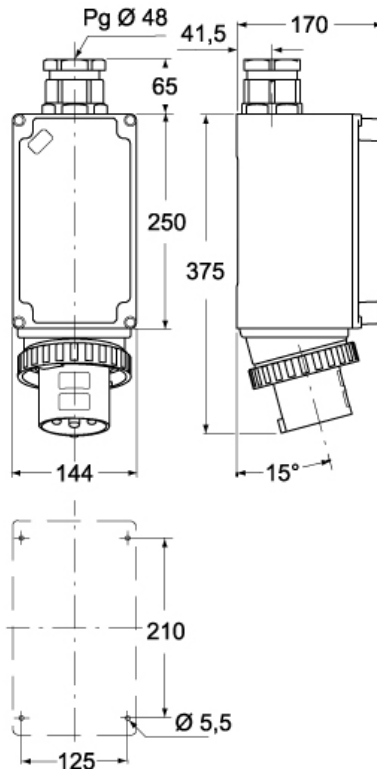


Catalogue drawings

(63A) PEW ... SM



(125A) PEW ... SM



## Notes

Dimensions shown in mm are not binding and may be changed without notice.

- Compliant with EN 60309-1 and -2
- Enclosure, insert and locking ring in insulating, thermoplastic, self-extinguishing material
- PE...SM types (IP44), enclosure colour coded according to the operating voltage, top entry with threaded grommet (replaceable with cable gland)
- PEW...SM types (IP67), RAL 7035 grey enclosure, locking ring with gasket colour coded according to the operating voltage, top entry with cable gland
- Terminals with retained screws
- 63A, 125A: with pilot contact
- Nickel-plated contacts, available on request for 16A and 32A (standard on 63A and 125A). For the code of products with nickel-plated contacts (socket holes, plug pins), add "N" to the pre-code of the corresponding standard product code; for example: PE becomes PEN and PEW becomes PEWN.
- 125A: with terminal block for the anchoring of incoming cables, already connected to socket
- IP44 and IP67 degrees of protection (EN 6052)